

Line laser, green, 532 nm, 90 °, 20 mW

LD532-20-24(20x80)-PL-C200
Order Number: 70124767

Main Parameters (*)	min	typ	max	Unit
Wavelength		532		nm
Optical Output Power		20		mW
Operating Voltage	21.6	24	26.4	V DC
Operating Current	40	75	115	mA
Operating Temperature	15		30	°C
Storage Temperature	-40		80	°C

Main Data

Warranty 1 years

Technical Parameters

Lifetime > 10,000 h
RoHS yes

Optical Parameters

Beam Shape	Line
Laser Class	2M
Divergence	D - 0.5 mrad
Fan Angle	90 °
Line Thickness	<1.5mm@3m
Operating Distance	5 m
Optics	glass lens AR coated
Beam Mode	TEM00
Laser technology	YVO4+KTP
Stability	+/- 20% @ 15-30°C
Protection Lens	yes
Focus	fixed (3000mm)
Warm up time	< 15 min

Electrical Parameters

Potential of Housing	isolated
Connector	CON-M12

Mechanical Parameters

Size	Ø20x80 mm
Material	aluminium
Cable length	200 mm
Wire type	22AWG, black, 3,6mm
Output Aperture	5 mm
Housing Color	black
Weight	115 g

(*) Over the complete operating temperature range

Features





- Operating Voltage 24 V DC
- Laser Class 2M
- Uniform line thickness
- Protection lens
- Image processing

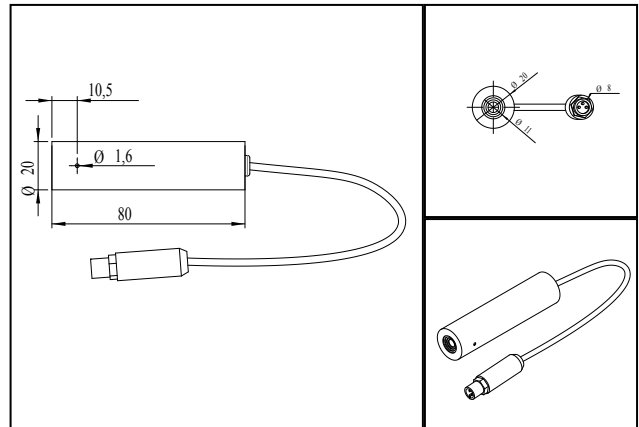
Picture



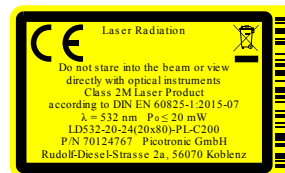
Cable color

Ground		black	GND
positive		red	21.6 - 26.4, typ 24 V DC

Drawing



Safety Label



Valid Revision

| 11-FEB-2021