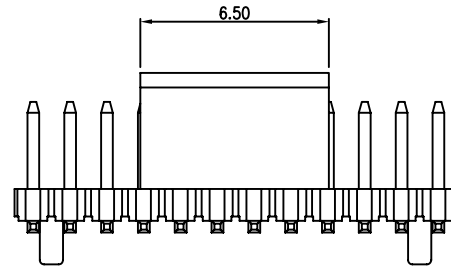
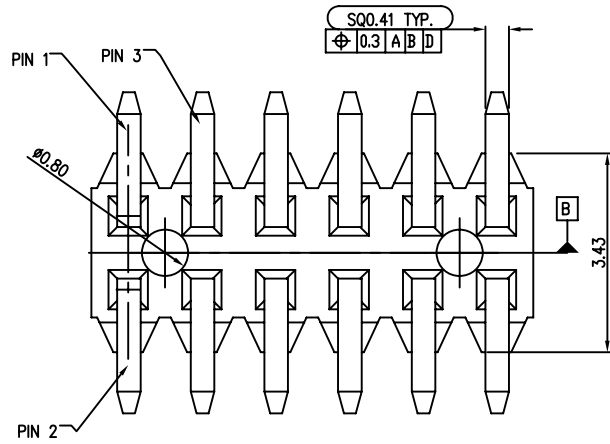
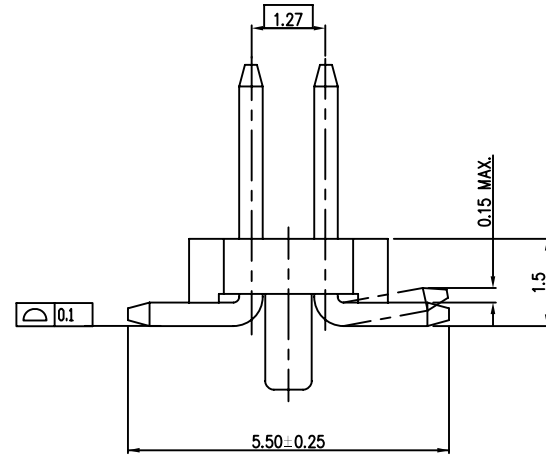
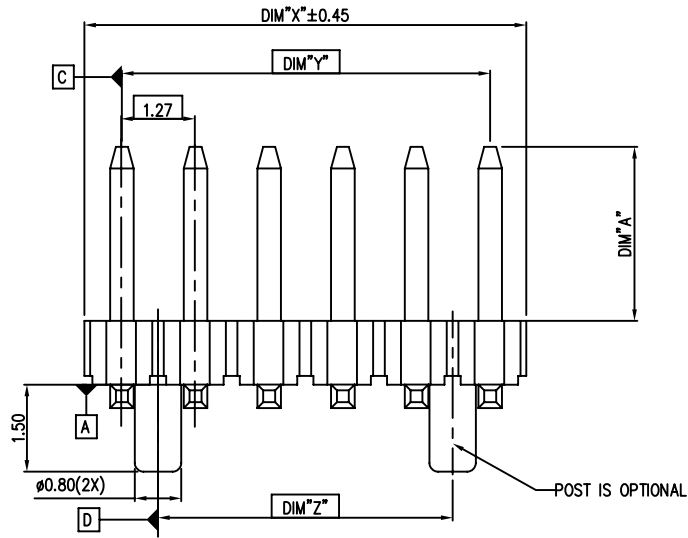
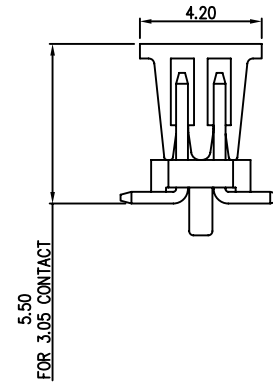


PART NO.
20021121



SCALE 5.000
PRODUCT WITH CAP



FOR 3.05 CONTACT

NOTES:

- 1.MATERIAL:
HOUSING: HIGH TEMPERATURE THERMOPLASTIC, UL94-V0 BLACK.
TERMINAL: COPPER ALLOY
- 2.THE HOUSING WILL WITHSTAND EXPOSURE TO 260°C PEAK TEMPERATURE FOR 10 SECONDS IN A CONVECTION INFRA-RED OR VAPOR PHASE REFLOW OVEN.
- 3.THIS PRODUCT MEETS EUROPEAN UNION DIRECTIVES AND OTHER COUNTRY REGULATIONS AS DESCRIBED IN GS-22-008.
- 4.PRODUCT SPEC: GS-12-629
- 5.PACKAGE SPEC: GS-14-1420

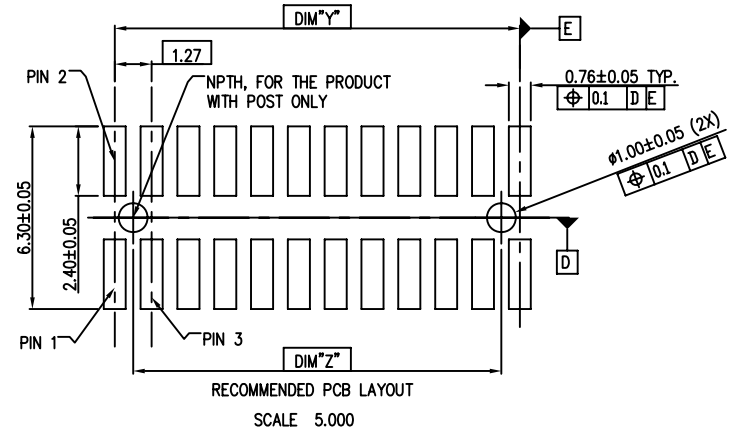
mat'l. code		surface		tolerance		projection		product family	
		ISO 1302 ✓		ISO 406 ISO		1101		MINITEK127®	
ltr	ecn no	dr	date	tolerances unless otherwise specified		mm		title	
L	ELX-N-23548	TIM	03/21/16	angles	.0±.30	mm		UNSHROUDED HDR VT SMT	
M	ELX-N-23949	TIM	04/26/16	linear	.00±.20	scale 1:1			
				0°±2'	.000±.10				
				dr	ZK HU	8/1/12		dwg no	
				eng	ZK HU	8/1/12		sheet 1 of 2	
				chr	BIAN RICK	8/1/12		size	
				app	BIAN RICK	8/1/12		A3	
sheet index		revision		M		M		type	
		sheet		1		2		Product Customer Drawing	

Amphenol
FCI

© 2016 AFCI

PART NO.	POS.	DIM"x"	DIM"y"	DIM"z"
20021121-XOX04XXLF	2 X 2	2.54	1.27	0
20021121-XOX06XXLF	2 X 3	3.81	2.54	1.27
20021121-XOX08XXLF	2 X 4	5.08	3.81	2.54
20021121-XOX10XXLF	2 X 5	6.35	5.08	3.81
20021121-XOX12XXLF	2 X 6	7.62	6.35	5.08
20021121-XOX14XXLF	2 X 7	8.89	7.62	6.35
20021121-XOX16XXLF	2 X 8	10.16	8.89	7.62
20021121-XOX18XXLF	2 X 9	11.43	10.16	8.89
20021121-XOX20XXLF	2 X 10	12.70	11.43	10.16
20021121-XOX22XXLF	2 X 11	13.97	12.70	11.43
20021121-XOX24XXLF	2 X 12	15.24	13.97	12.70
20021121-XOX26XXLF	2 X 13	16.51	15.24	13.97
20021121-XOX28XXLF	2 X 14	17.78	16.51	15.24
20021121-XOX30XXLF	2 X 15	19.05	17.78	16.51
20021121-XOX32XXLF	2 X 16	20.32	19.05	17.78
20021121-XOX34XXLF	2 X 17	21.59	20.32	19.05
20021121-XOX36XXLF	2 X 18	22.86	21.59	20.32
20021121-XOX38XXLF	2 X 19	24.13	22.86	21.59
20021121-XOX40XXLF	2 X 20	25.40	24.13	22.86
20021121-XOX42XXLF	2 X 21	26.67	25.40	24.13
20021121-XOX44XXLF	2 X 22	27.94	26.67	25.40
20021121-XOX46XXLF	2 X 23	29.21	27.94	26.67
20021121-XOX48XXLF	2 X 24	30.48	29.21	27.94
20021121-XOX50XXLF	2 X 25	31.75	30.48	29.21
20021121-XOX52XXLF	2 X 26	33.02	31.75	30.48
20021121-XOX54XXLF	2 X 27	34.29	33.02	31.75
20021121-XOX56XXLF	2 X 28	35.56	34.29	33.02
20021121-XOX58XXLF	2 X 29	36.83	35.56	34.29
20021121-XOX60XXLF	2 X 30	38.10	36.83	35.56
20021121-XOX62XXLF	2 X 31	39.37	38.10	36.83
20021121-XOX64XXLF	2 X 32	40.64	39.37	38.10
20021121-XOX66XXLF	2 X 33	41.91	40.64	39.37
20021121-XOX68XXLF	2 X 34	43.18	41.91	40.64
20021121-XOX70XXLF	2 X 35	44.45	43.18	41.91
20021121-XOX72XXLF	2 X 36	45.72	44.45	43.18
20021121-XOX74XXLF	2 X 37	46.99	45.72	44.45
20021121-XOX76XXLF	2 X 38	48.26	46.99	45.72
20021121-XOX78XXLF	2 X 39	49.53	48.26	46.99
20021121-XOX80XXLF	2 X 40	50.80	49.53	48.26
20021121-XOX82XXLF	2 X 41	52.07	50.80	49.53
20021121-XOX84XXLF	2 X 42	53.34	52.07	50.80
20021121-XOX86XXLF	2 X 43	54.61	53.34	52.07
20021121-XOX88XXLF	2 X 44	55.88	54.61	53.34
20021121-XOX90XXLF	2 X 45	57.15	55.88	54.61

PART NO.	POS.	DIM"x"	DIM"y"	DIM"z"
20021121-XOX92XXLF	2 X 46	58.42	57.15	55.88
20021121-XOX94XXLF	2 X 47	59.69	58.42	57.15
20021121-XOX96XXLF	2 X 48	60.96	59.69	58.42
20021121-XOX98XXLF	2 X 49	62.23	60.96	59.69
20021121-XOXA0XXLF	2 X 50	63.50	62.23	60.96



20021121-X X XX X X LF

- LEAD FREE
- PLATING ON CONTACT AREA
 - 1: GOLD FLASH AT CONTACT, 1.27µm MIN. MATTE TIN AT TAIL
 - 2: GOLD FLASH AT CONTACT, GOLD FLASH AT TAIL
 - 4: 0.25µm Au MIN. AT CONTACT, 1.27µm MIN. MATTE TIN AT TAIL
 - 5: 0.25µm Au MIN. AT CONTACT, GOLD FLASH AT TAIL
 - 6: 0.38µm GXT MIN. AT CONTACT, 1.27µm MIN. MATTE TIN AT TAIL
 - 7: 0.38µm GXT MIN. AT CONTACT, GOLD FLASH AT TAIL
 - 8: 0.76µm GXT MIN. AT CONTACT, 1.27µm MIN. MATTE TIN AT TAIL
 - 9: 0.76µm GXT MIN. AT CONTACT, GOLD FLASH AT TAIL
- PACKING STYLE
 - T: TUBE
 - D: TUBE + CAP
 - C: TAPE & REEL + CAP
- PIN NO. SEE TABLE
- MATING LENGTH(DIM'A')
 - 0: 3.05MM
- RESERVE CODE
 - 0: STANDARD
- POST OPTION
 - 0: WITHOUT POST
 - 1: WITH POST

mat'l. code		surface	tolerance	projection	product family
		ISO 1302 ✓	ISO 406 ISO	1101	MINITEK127®
ltr		ecn no dr date		title	
M				UNSHROUDED HDR VT SMT	
		angles	.0±.30	mm	
		linear	.00±.20	scale 1:1	
		0'±2'	.000±.10		
		dr	ZK HU	8/1/12	dwg no sheet 2 of 2 size
		eng	ZK HU	8/1/12	20021121 A3
		chr	BIAN RICK	8/1/12	Amphenol FCI
		app	BIAN RICK	8/1/12	type Product Customer Drawing
sheet index	revision sheet				