

RES60F16

Rev. 0

CHARACTERISTICS:

Rated Voltage:	250VAC max
Rated Current at Ambient:	16A @ 40°C
Operating Frequency:	DC-400HZ
Climatic Class (IEC60068-1):	25/100/21
Temperature Range:	-25°C to +100°C
Over load Current:	1.5 x Rated Ct. for 1 Min
Operational Leakage current : (at 230VAC/50Hz and Total C +/-20%)	0.734 mA max
Worst case Leakage current : (N interrupted and Total C +/-20%)	<1.18 mA max
DCR @ 25°C (+/-25%) :	25 mΩ
Test Voltage (100%) for 2 sec:-	L-N: 1100VDC
	L-GND: 3000VDC
Ingress Protection:	IP 20
Weight (Approximate):	200 gr

FILTER PARAMETERS:

Total Inductance (L-L'+N-N') @10KHz:	1.30mH +50%,-30%
Total Capacitance (L-L/L-N) @1KHz:	0.66μF +/- -20%
Total Capacitance (L/N-GND) @1KHz:	9.4nF +/- -20%
Total Resistance (L-L/L-N):	1MΩ +/- -10%
Total Resistance (L/N-GND):	

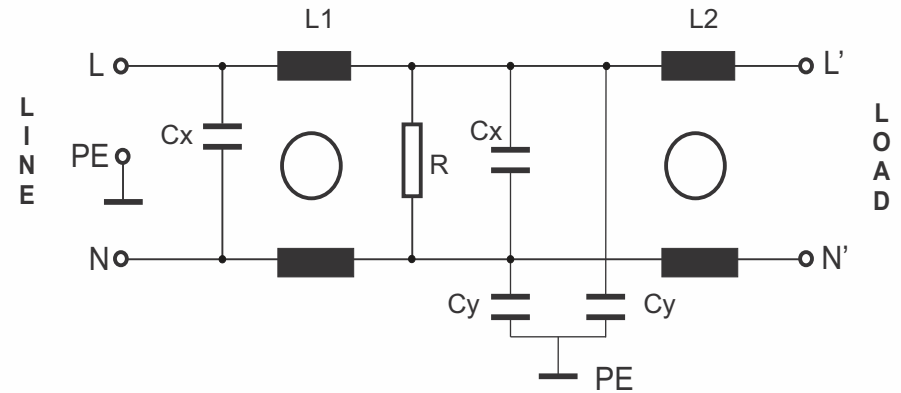
APPROVALS:

REACH
RoHS
UL

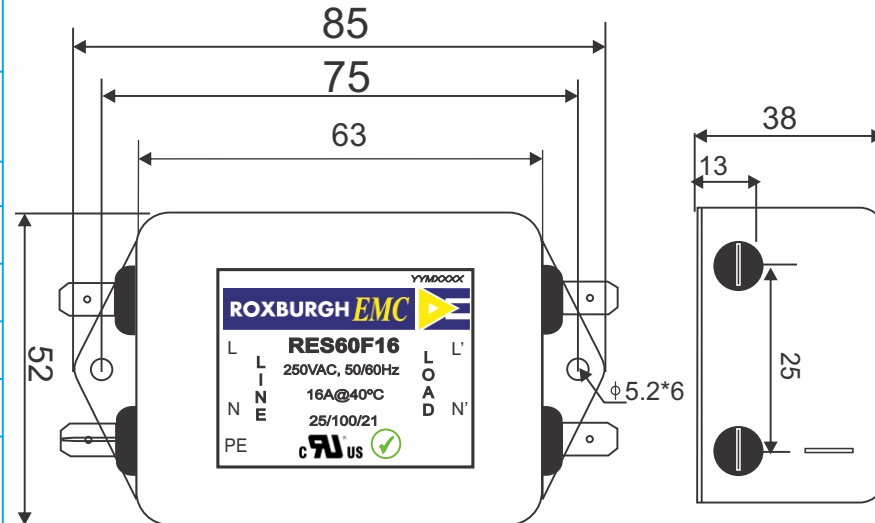


APPROVED BY
AJAY
DATE : 19-03-2014

CIRCUIT DIAGRAM:



MECHANICAL DIMENSION (mm):



Note:

Housing matl. Fe with Ni Plated
Fast-On Terminal (6.3 x 0.8mm)
Connections

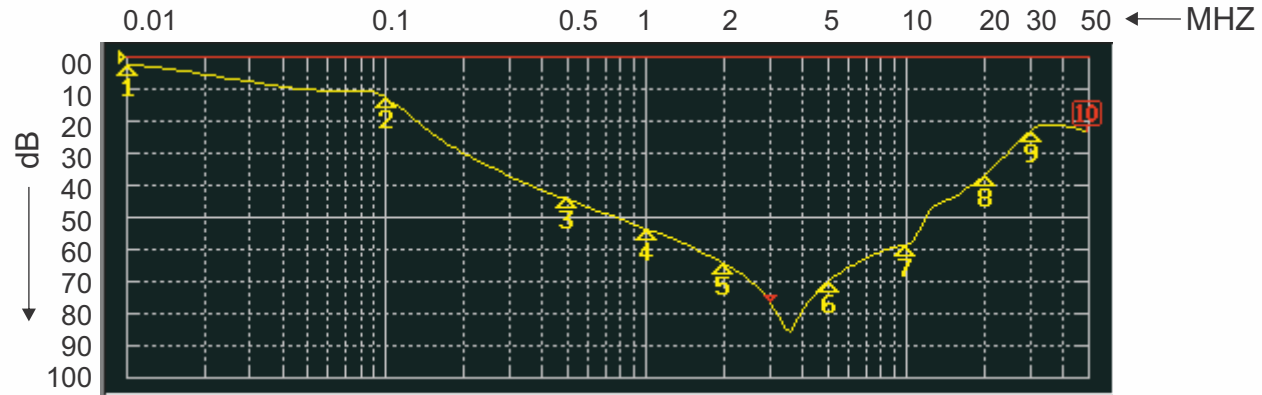
TOLERANCE: +/-1.0 mm



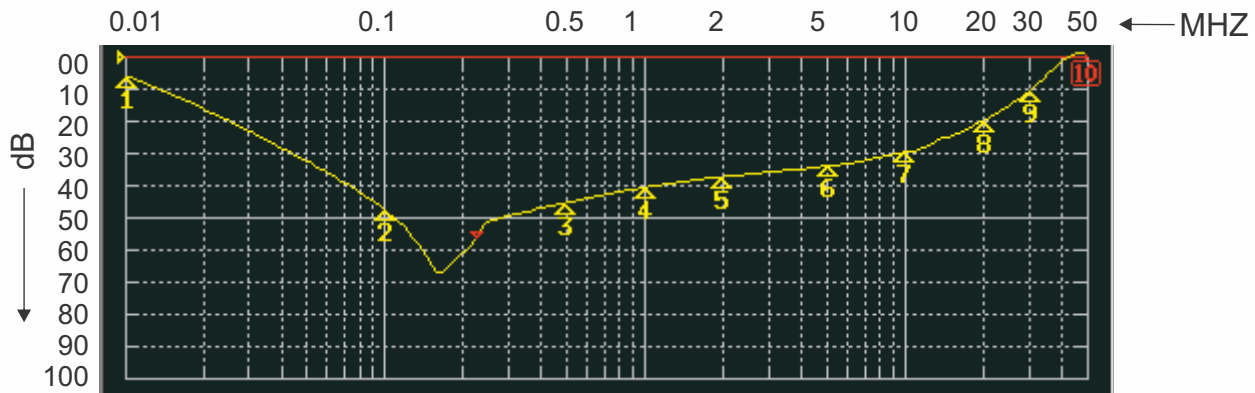
TEL: +44(0) 1724 273200
email: sales@dem-uk.com
web: www.dem-uk.com/roxburgh

ROXBURGH ELECTRONICS LTD
FILTER INSERTION LOSS CHARACTERISTICS
CISPR 17 - 50 OHM METHOD

RES60F16



COMMON MODE



DIFFERENTIAL MODE

