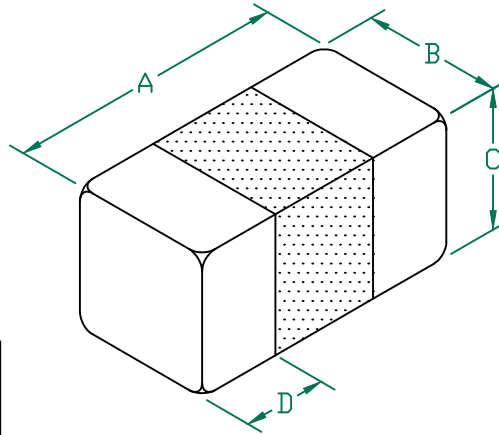


HZ0402C102R-10

PHYSICAL DIMENSIONS:

A	1.00 [.040]	\pm	0.10 [.004]
B	0.50 [.020]	\pm	0.10 [.004]
C	0.50 [.020]	\pm	0.10 [.004]
D	0.25 [.010]	\pm	0.15 [.006]

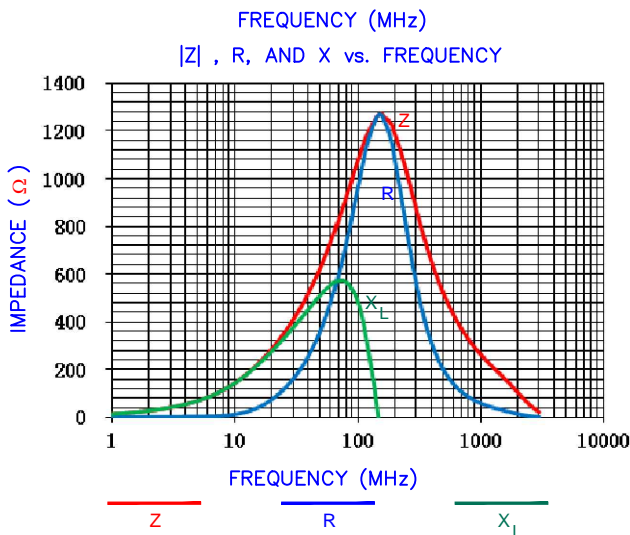
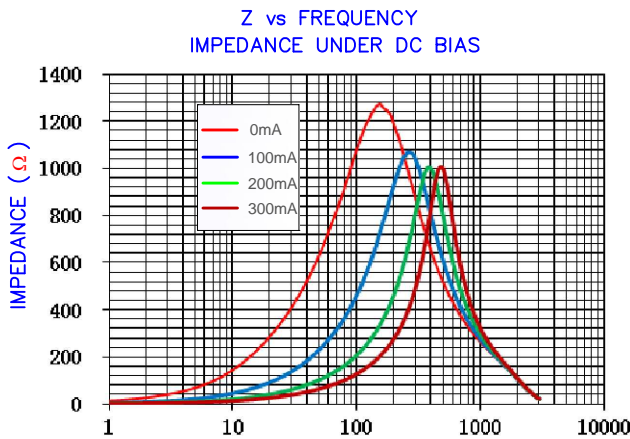


ELECTRICAL CHARACTERISTICS:

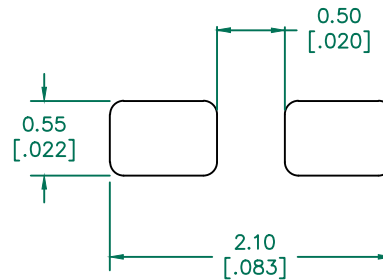
	Z @ 100MHz (Ω)	DCR (Ω)	Rated Current
Nominal	1000		
Minimum	750		
Maximum	1250	0.70	300 mA

NOTES: UNLESS OTHERWISE SPECIFIED

1. TAPED AND REELED per CURRENT EIA SPECIFICATIONS 7" REELS, 10,000 PCS/REEL, PAPER TAPE.
2. TERMINATION FINISH IS 100% TIN.
3. COMPONENTS SHOULD BE ADEQUATELY PREHEATED BEFORE SOLDERING.
4. OPERATING TEMPERATURE TEMP: $-40^{\circ}\text{C} \sim +125^{\circ}\text{C}$ (INCLUDING SELF-HEATING)

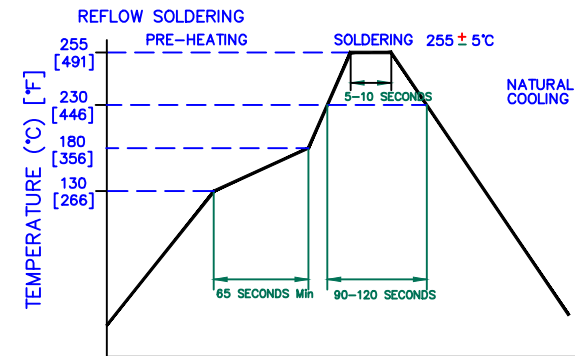


LAND PATTERNS FOR REFLOW SOLDERING



(For wave soldering, add 0.763 (.030 to this dimension.)

RECOMMENDED SOLDERING CONDITIONS



DIMENSIONS ARE IN mm [INCHES].				This print is the property of Laird Tech. and is loaned in confidence subject to return upon request and with the understanding that no copies shall be made without the written consent of Laird Tech. All rights to design or invention are reserved.		Laird	
PROJECT/PART NUMBER:				REV	PART TYPE:	DRAWN BY:	
HZ0402C102R-10				B	CO-FIRE	QU	
B	UPDATE LAIRD LOGO AND NOTES 4	08/05/13	QU	DATE:	11/28/12	SCALE:	NTS
A	ORIGINAL DRAFT	11/28/12	QU	CAD #		TOOL #	
REV	DESCRIPTION	DATE	INT	HZ0402C102R-10-B		SHEET: 2 of 2	