

Sample image

## Datasheet

**Article number:** 70009703

**Designation:** CG8.A048.E

**Description:** Switch

IEC 60947-3 EN 60947-3, VDE 0660 Teil 107							
<b>Märkdriftspänning Ui</b>							
Spänning (V) AC / DC							
690 AC / DC							
<b>Märkdriftström vid konstant drift</b>							
Ström (A)	Omgivningstemperatur (°C)	Temperatur topp (°C)		ytterligare krav			
20	55	60		Omgivningstemperatur +55°C under 24 timmar med toppar upp till +60°C			
<b>Märkdriftström Ie</b>							
<i>Urvals kriterie</i>							
			Spänning (V)		Ström (A)		
AC-15			220 - 240		6		
AC-15			380 - 440		4		
<b>Märkdrifteffekt</b>							
<i>Urvals kriterie</i>	Spänning (V)	No. of phases		No. of poles		Effekt (kW)	
AC-3	220 - 240	3		3		3	
AC-3	380 - 440	3		3		5,50	
AC-3	660 - 690	3		3		5,50	
AC-3	220 - 240	1		2		2,20	
AC-3	380 - 440	1		2		3	
AC-23A	220 - 240	3		3		3,70	
AC-23A	380 - 440	3		3		7,50	
AC-23A	660 - 690	3		3		7,50	
AC-23A	220 - 240	1		2		2,50	
AC-23A	380 - 440	1		2		3,70	
<b>Max försäkring, IEC</b>							
<i>Säkringskaraktäristik</i>							
gG					Antal säkringar	Ström (A)	
					1	25	
<b>UL60947-4-1 , UL508</b>							
<b>Nominal Voltage</b>							
Spänning (V) AC / DC							
300 AC							
<b>Märkdriftspänning Ui</b>							
Spänning (V) AC / DC							
300 AC							
<b>Rated thermal current</b>							
Ström (A)			Omgivningstemperatur (°C)				Additional Text
16			0 - 40				-
<b>Horsepower rating</b>							
<i>Across-the-Line Motor Starting</i>							
	Spänning (V)	No. of phases	No. of poles		Power (HP)	Ambient temperature [°C]	
Reversing	110 - 120	1	2		0,17	40	
Reversing	220 - 240	1	2		0,50	40	
Reversing	277 - 277	1	2		0,50	40	
Reversing	110 - 120	3	3		0,50	40	
Reversing	220 - 240	3	3		1	40	
DOL	110 - 120	1	2		0,50	40	
DOL	220 - 240	1	2		1	40	
DOL	277 - 277	1	2		1	40	
DOL	110 - 120	3	3		1,50	40	
DOL	220 - 240	3	3		1	40	
<b>Pilot duty rating code</b>							
<i>Duty Code</i>							
A300							
<b>SCCR / Max. fuse rating</b>							
<i>Conditions of acceptability</i>							
These devices are suitable for use on circuits capable of delivering not more than 5kA rms symmetrical amperes, 600V ac max. when protected by Class RK1 fuses.							
<b>Temp. rating of wire</b>							
Temperature rating (°C)			Ström (A) Text				
60 - 75			- Use copper wire only				
<b>General Use</b>							
AC / DC	Spänning (V)	Ström (A)	No. of phases	No. of poles		No. of contacts in series	
AC	150	16	1	2		1	

General Use								
AC / DC	Spänning (V)	Ström (A)	No. of phases	No. of poles	No. of contacts in series			
AC	150	16	3	3	1			
AC	300	10	1	2	1			
AC	300	10	3	3	1			
CSA								
Nominal Voltage								
				Spänning (V) AC / DC				
				300 AC				
Märkdriftspänning Ui								
				Spänning (V) AC / DC				
				300 AC				
Rated thermal current								
		Ström (A)	Omgivningstemperatur (°C)		Additional Text			
		16	0 - 40		--			
Horsepower rating								
Across-the-Line Motor Starting				Spänning (V)	No. of phases	No. of poles	Power (HP)	Ambient temperature [°C]
DOL				110 - 120	1	2	0,50	40
DOL				220 - 240	1	2	1	40
DOL				277 - 277	1	2	2	40
DOL				110 - 120	3	3	1,50	40
DOL				220 - 240	3	3	3	40
Pilot duty rating code								
Duty Code								
A300								
SCCR / Max. fuse rating								
Conditions of acceptability								
These devices are suitable for use on circuits capable of delivering not more than 5kA rms symmetrical amperes, 600V ac max. when protected by Class RK1 fuses.								
Temp. rating of wire								
			Temperature rating (°C)	Ström (A) Text				
			75	--				
General Use								
AC / DC	Spänning (V)	Ström (A)	No. of phases	No. of poles	No. of contacts in series			
AC	150	16	1	1	1			
AC	300	10	1	1	1			
AC	300	10	3	3	1			
GENERAL TECHNICAL INFORMATION								
Size of conductor								
composition of conductor	Min. / Max. value	No. of conductor per terminal	Cross section (mm <sup>2</sup> ) or (AWG/kcmil)		Material of the wire			
solid wire	Min.		1	0,5mm <sup>2</sup>	Copper			
solid wire	Min.		2	0,5mm <sup>2</sup>	Copper			
flexible wire	Min.		1	0,75mm <sup>2</sup>	Copper			
flexible wire	Min.		2	0,75mm <sup>2</sup>	Copper			
flexible wire	Max.		2	2,5mm <sup>2</sup>	Copper			
flexible wire	Max.		2	AWG 14	Copper			
Single-core or stranded wire	Max.		2	AWG 12	Copper			
Single-core or stranded wire	Max.		2	2,5mm <sup>2</sup>	Copper			
flexible wire with ferrule according to DIN 46228	Min.		1	0,5mm <sup>2</sup>	Copper			
flexible wire with ferrule according to DIN 46228	Max.		2	2,5mm <sup>2</sup>	Copper			
flexible wire with ferrule according to DIN 46228	Min.		2	0,5mm <sup>2</sup>	Copper			
Stripping length								
			Length (mm) --					
								
Rekomenderad skruvmejsel								
Typ av skruvmejsel			Value					
Stjärnskruvmejsel			PH1					
Slot screwdriver according to DIN 5264			0,8x4					
Tightening torque of screws								
			tightening torque (Nm)		tightening torque (lb-in)			
			0,60		5			
Approbations								
Specification					Marking			
EAC								
CE marking								
UK Directives								
CSA C.22.2 No.14								
GB/T14048.3								

## General Information

### Text

- Smörjning och behandling av kontakterna är förbjuden.
- Inkoppling och service av strömställaren får endast utföras av behörig personal. Strömställaren är underhållsfri.
- Använd endast kopparkabel. Kabeln får inte förtennas.
- Alla anslutningskruvar måste dras med rekommenderat moment, även de som inte används då det kan finnas interna överkopplingar.
- Vid installation av strömställaren skall kontrolleras att kryp- och luftavstånd motsvarar gällande föreskrifter.

## Waste Electrical & Electronic Equipment (WEEE)

Picture name Description



Do not throw in the trash as care must be taken to ensure environmentally sound disposal and recycling. Please either use an environmentally friendly waste disposal company; return to the supplier for disposal; or return direct to the manufacturer, Kraus & Naimer. You can find local Kraus & Naimer offices at [www.krausnaimer.com](http://www.krausnaimer.com)

## Proposition 65

Picture name Description



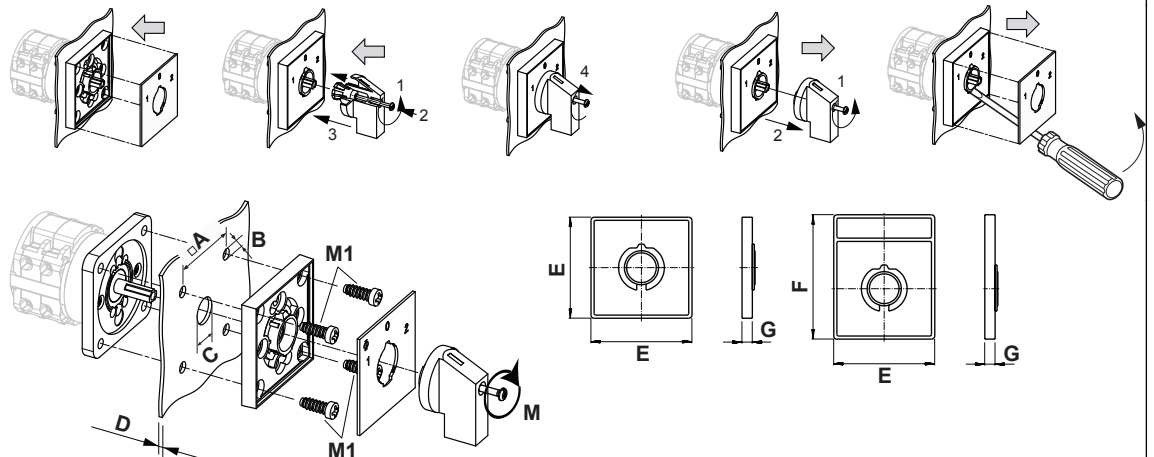
WARNING: This product can expose you to chemicals including nickel and lead, which is known to the State of California to cause cancer. For more information go to [www.P65Warnings.ca.gov](http://www.P65Warnings.ca.gov).

Classification Contact: Rigid contact bridge

Classification Contact Mat: Silver

Classification Terminal: Screw terminal

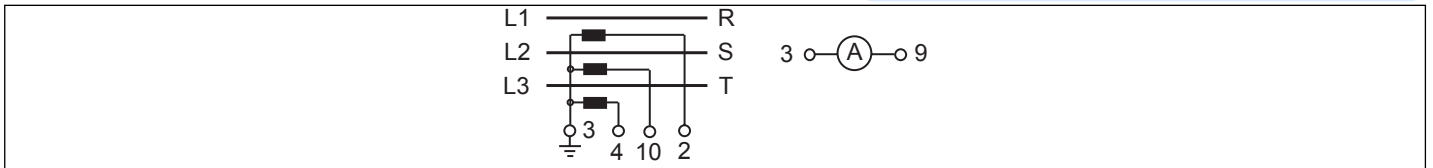
## Mounting-E



Skyddsklass frontpanel, IP		IP40
Stages		1,00 - 12,00
A	□	36,00 mm
B	∅	5,00 mm
C	∅	8,00 - 19,00 mm
D	H	<= 4,00 mm
E	H	48,00 mm
F	H	59,00 mm
G	H	6,70 mm
M	⌘	0,50 Nm
M1	⌘	0,90 Nm


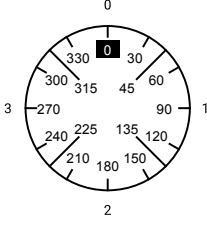
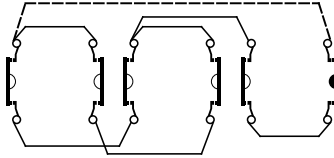
## Wiring diagram

CG8.A048.E



**Switch program**

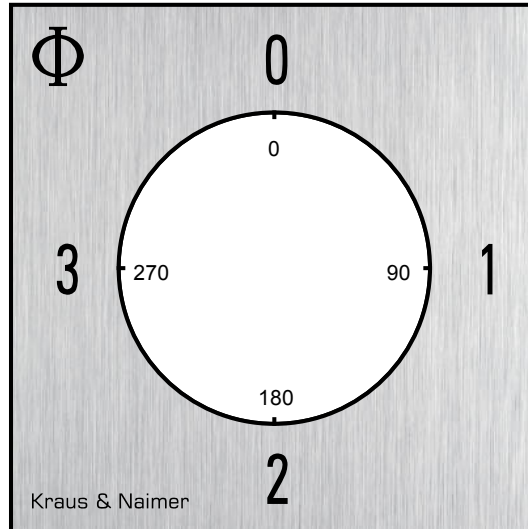
CG8.A048.E

 Kraus & Naimer		CG8		A048		E		Page 1 of 1					
		Face Plate											
													
		1	3	5	7	9	11	13	15	17	19	21	23
Switching Angle <input type="text" value="90"/> Total switching Angle <input type="text" value="360"/>		2	4	6	8	10	12	14	16	18	20	22	24
0	0												
	15												
1	30												
	45												
2	60												
	75												
3	90												
	105												
0	120												
	135												
1	150												
	165												
2	180												
	195												
3	210												
	225												
0	240												
	255												
1	270												
	285												
2	300												
	315												
3	330												
	345												

Version: 44

**Face plate**

S0.F059/A1B.PEL



## HANDLES

**Designation:** S0C.G251  
**Handle colour:** "1" black

