

Perçage CI vue coté soudure.  
Orientation du perçage suivant codage A.  
PCB drilling solder side view.  
Drilling orientation according to A coding.

## HDMIF TV 7 A x F059

Embase  
Receptacle

Collerette réduite avec écrou crêté standard  
Reduced Flange with standard castle nut

- N: Nickel-RoHS
- G: Cadmium vert olive-Non RoHS  
Olive drab cadmium-Not RoHS
- ZN: Zinc nickel noir-RoHS  
Black zinc nickel-RoHS
- BZ: Bronze-RoHS
- S: Stainless Steel-RoHS

Codage / Coding: A

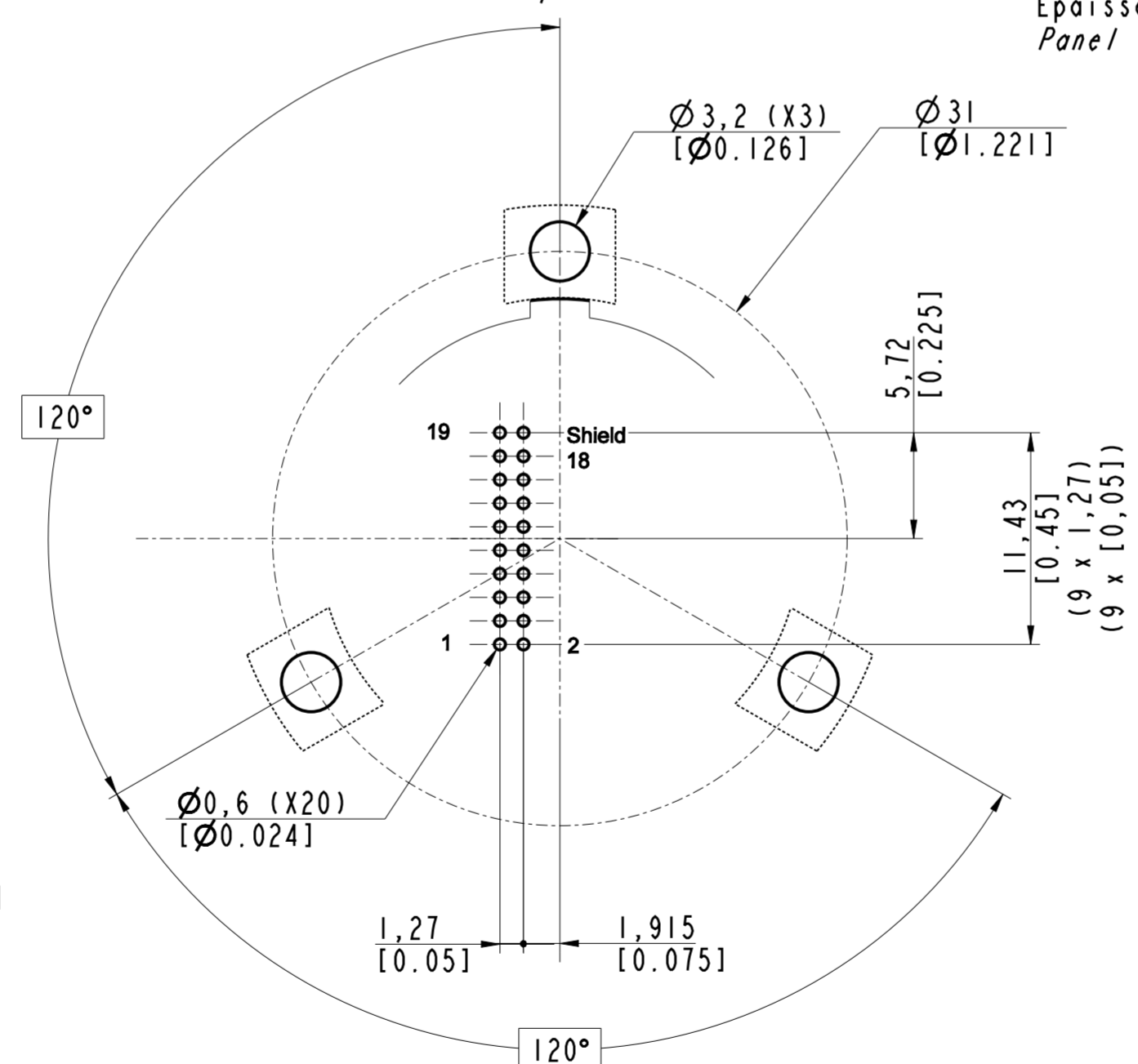
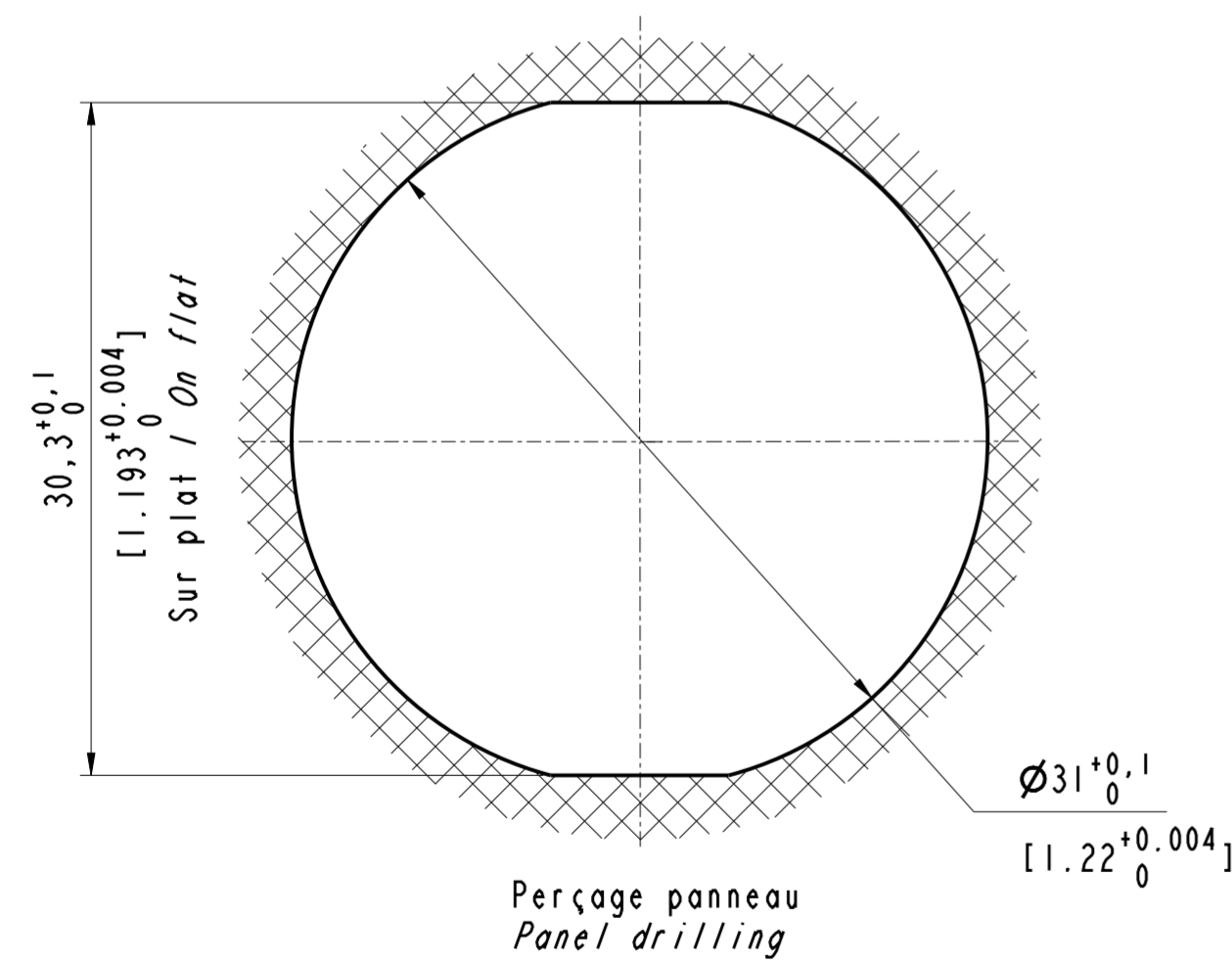
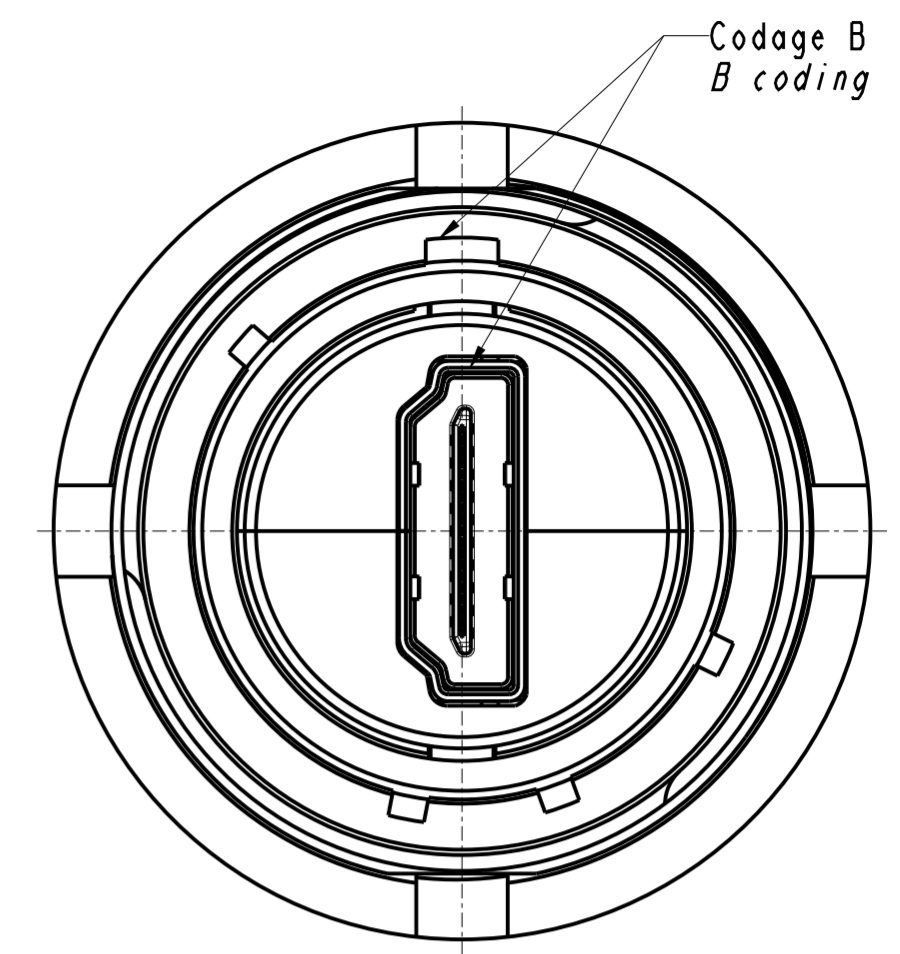
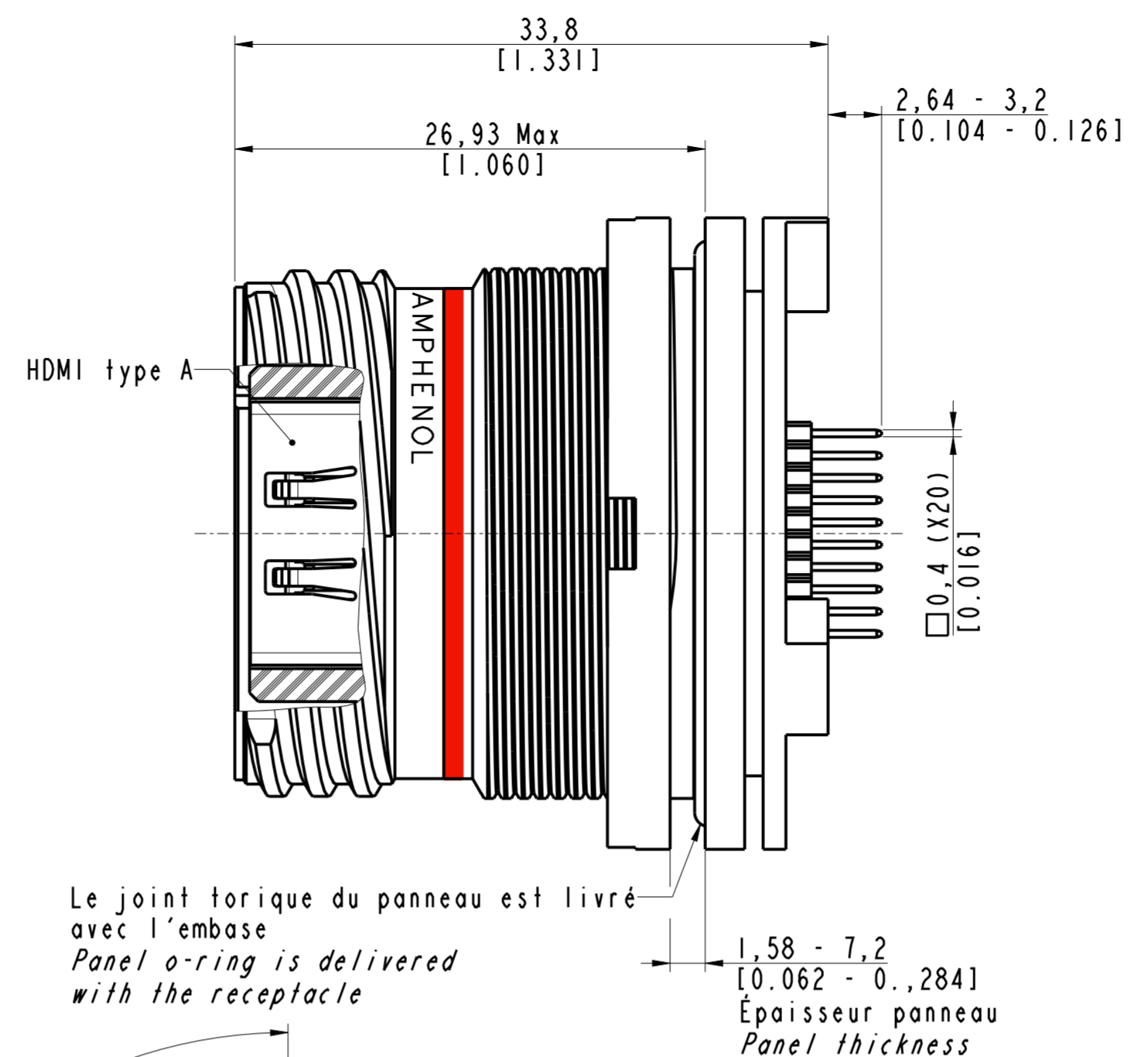
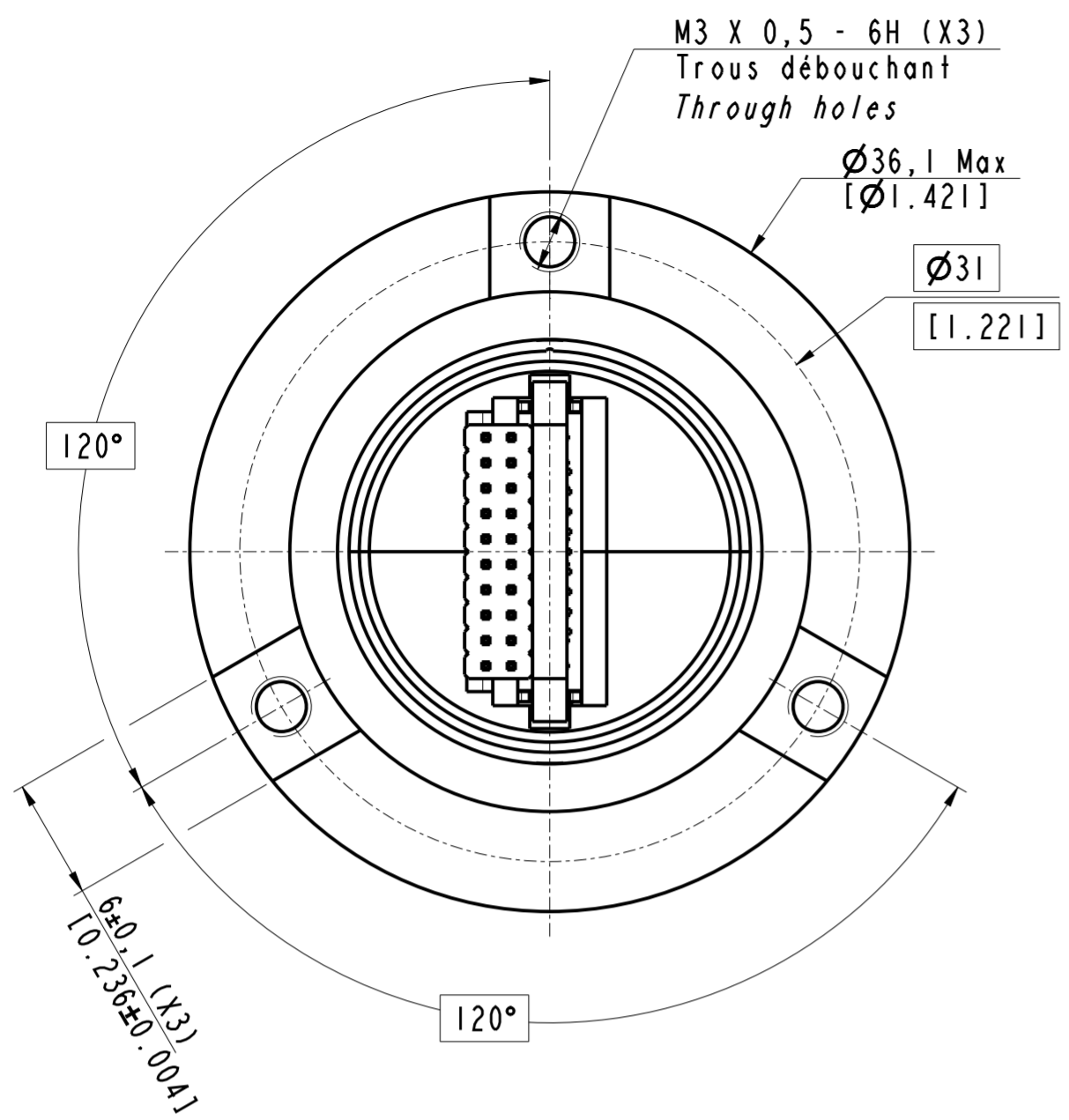
Nota / Note:  
Produit utilisable avec un cordon de port d'affichage HDMI type A mâle.  
Product usable with male HDMI type A display port cordset.

IN THE CONSTANT PURPOSE OF IMPROVING ITS PRODUCTS, AMPHENOL SOCAPEX RESERVES THE RIGHT TO MODIFY ANY DIMENSION OR CHARACTERISTICS. FM/NPD.0077.THYZE.PUNE.rev.A

DRAWN BY: R Reddy	UPDATED BY: -	LAST APPROVED BY: M Rinsant	
ALL DIMENSIONS ARE IN MM	AMPHENOL SOCAPEX		ORIGINAL DRAWING DATE: 01/03/2021
SCALE: 3	B.P. 29 74311 THYZE CEDEX		CONFIGURATION DATA ARE AVAILABLE IN PDM
		REV: A	PAGE: 1/2
191-PLC-1037-01			

Dimensions are in mm / [inch]

IN THE CONSTANT PURPOSE OF IMPROVING ITS PRODUCTS, Amphenol Socapex RESERVES THE RIGHT TO MODIFY ANY DIMENSION OR CHARACTERISTICS.  
 FM.NPD.0077.THYZE.PUNE.rev.A



Perçage CI vue coté soudure.  
Orientation du perçage suivant codage B.  
PCB drilling solder side view.  
Drilling orientation according to B coding.

## HDMIF TV 7 B x F059

Embase  
Receptacle

→ Colerette réduite avec écrou crénelé standard  
Reduced Flange with standard castle nut

- N: Nickel-RoHS
- G: Cadmium vert olive-Non RoHS  
Olive drab cadmium-Not RoHS
- ZN: Zinc nickel noir-RoHS  
Black zinc nickel-RoHS
- BZ: Bronze-RoHS
- S: Stainless Steel-RoHS

→ Codage I Coding: B

Nota / Note:  
Produit utilisable avec un cordon de port d'affichage HDMI type A mâle.  
Product usable with male HDMI type A display port cordset.

DRAWN BY: R Reddy	UPDATED BY: -	LAST APPROVED BY: M Rinsant	
ALL DIMENSIONS ARE IN MM	AMPHENOL SOCAPEX		ORIGINAL DRAWING DATE: 01/03/2021
SCALE: 3	B.P. 29 74311 THYZE CEDEX		CONFIGURATION DATA ARE AVAILABLE IN PDM
	REV: A	PAGE: 2/2	191-PLC-1037-01

Dimensions are in mm / [inch]