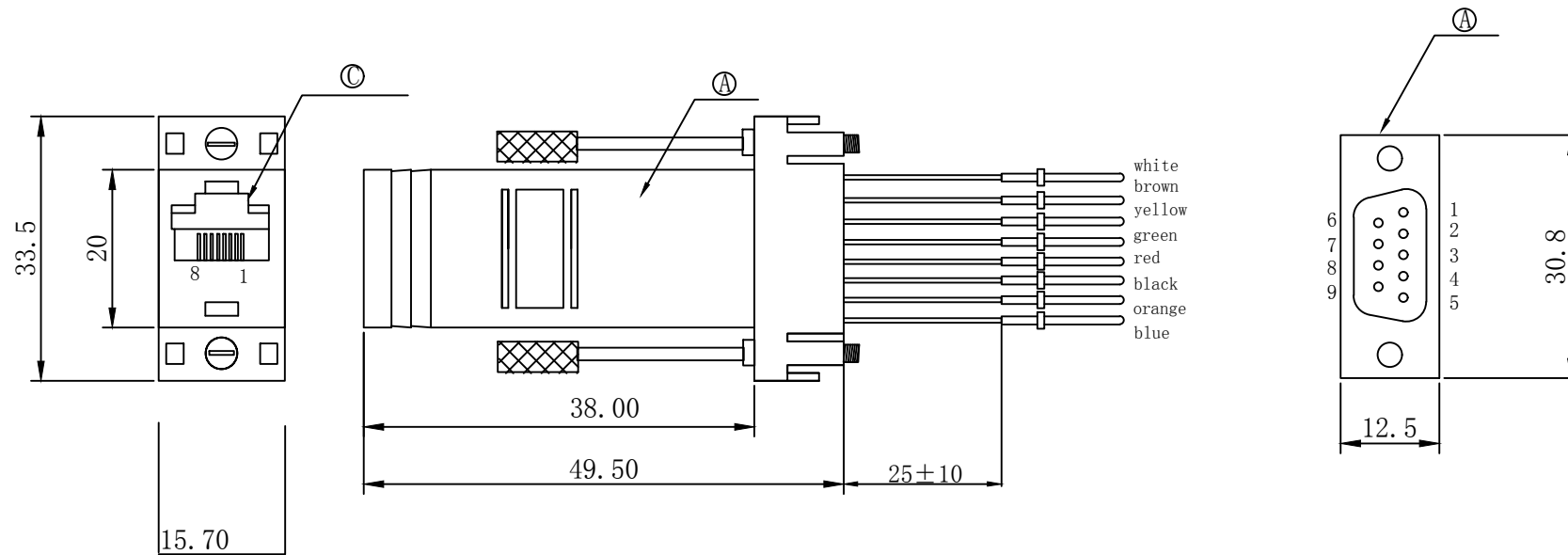


D-Sub Adapter, 9-Pin Plug to RJ45 Socket



PIN ASSIGNMENT

white	8
brown	7
yellow	6
green	5
red	4
black	3
orange	2
blue	1

NOTES:

ELECTRICAL CHARACTER:

- 100% OPEN&SHORTTESTING.
- ROHS and REACH COMPLIANT.
- Where the tolerance is not indicated, the tolerance is ± 0.2
- connector connection method: soldering.
- THIS PRODUCT INCLUDED THE RAW MATERIAL:

PE - PVC - Gold-plated copper
nickel plated Iron shell - zinc alloy with
chrome plated

NO	ITEM	DESCRIPTION	COMPONENT
C	CONNECTOR 2	RJ45 Female	
B	CONNECTOR 1	DB9 Male	
A	HOUSING	Metal,color:silver	

Art. Nr.

RND 205-00939