

PRODUCT

Black Leader Tape

TECHNICAL DATASHEET

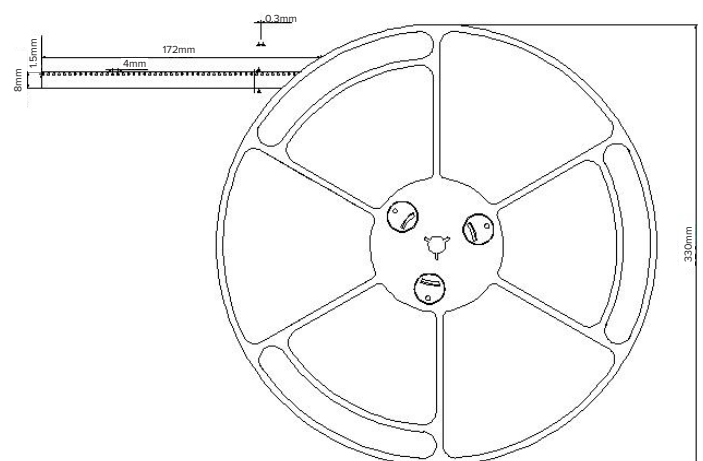
TECHNICAL SPECIFICATIONS

SPECIFICATION	RESULT
Material	Polystyrene (PS)
ESD Surface Resistance	10^7 - 10^8 ohms
Side Hole Diameter	1.5mm
Hole centre-to-centre spacing	4mm
Colour	Black

PACKING INFORMATION

- Packed by 13" reel in white
- Reels packed by export carton

PRODUCT DRAWING



PRODUCT CODE	DESCRIPTION	SIZE (L x W x T)	QUANTITY
029-1061	Black Leader Tape	172m x 8mm x 0.3mm	Each

To request a quotation or for more information, please call **+44 (0)1473 836200**
email info@antistat.co.uk or visit www.antistat.co.uk

IMPORTANT: This data sheet and its contents (the "Information") belong to Antistat or are licensed to it. No licence is granted for the use of it other than for information purposes in connection with the products to which it relates. No licence of any intellectual property rights is granted. The Information is subject to change without notice and replaces all data sheets previously supplied. The Information supplied is believed to be accurate but Antistat assumes no responsibility for its accuracy or completeness, any error in or omission from it or for any use made of it. Users of this data sheet should check for themselves the Information and the suitability of the products for their purpose and not make any assumptions based on information included or omitted. Liability for loss or damage resulting from any reliance on the Information or use of it (including liability resulting from negligence or where Antistat was aware of the possibility of such loss or damage arising) is excluded. © 2023 Antistat.