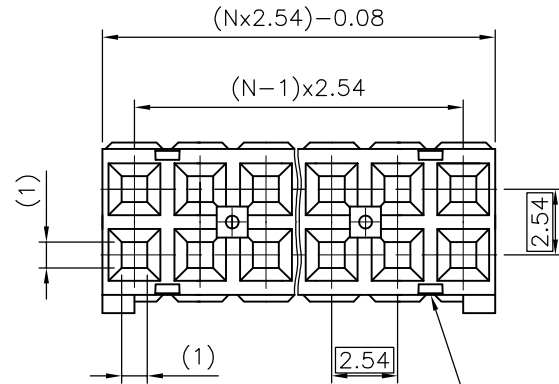


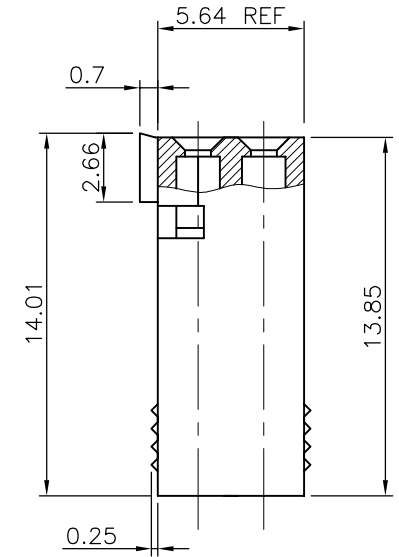
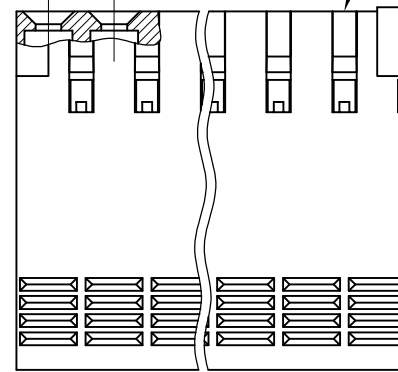
PRODUCT NUMBER

65239-YXXLF

WHEN NEEDED, SUFFIX LETTER "LF" INDICATES THE PRODUCT IS RoHS COMPLIANT, SEE NOTE 6  
 NUMBER OF CAVITIES PER ROW : 02 TO 36.  
 PLASTIC MATERIAL COLOR CODE.  
 0 = BLUE  
 1 = GREY



SEE NOTE 2



NOTES:

- 1 - HOUSING MAT'L: THERMOPLASTIC GLASS FILLED FLAME RETARDANT PER UL 94 V-0.
- 2 - OVER DASH -007 ONLY FIRST AND LAST THREE POSITIONS MUST HAVE GROOVES ON TWO SIDES.
- 3 - PRODUCT PACKED IN PLASTIC BAG.
- 4 - TO DETERMINE DIMENSIONS:  
 N = NUMBER OF POSITIONS  
 EXAMPLE: 8 POS:  $(N \times 2.54) - 0.08 = 20.24$  mm.
- 5 - FOR TECHNICAL APPLICATION SEE TA317.
- 6 - RoHS COMPATIBLE PRODUCT SPECIFICATIONS

a - LABELING:

- MEETS PACKAGING SPECS AS PER GS-14-920

b - LEGAL STATEMENT: SEE GS-22-008

THE PRODUCT IS NOT INTENDED TO BE EXPOSED TO A MANUFACTURING SOLDER PROCESS.

mat'l. code SEE NOTE		surface ISO 1302 <input checked="" type="checkbox"/> tolerance ISO 406 ISO 101		projection mm		product family DUBOX	
M	F05-0236 DLE	05.08.24	tolerances unless otherwise specified ±0.3		title ctw HOUSING DR		
N	F05-0286 DLE	05.11.07	angles linear	scale 5:1		dwg no 65239	
P	F06-0146 DLE	06.03.10	±2'	sheet 1 of 1 size A3		type CUSTOMER Drawing	
R	F06-0225 DLE	06.07.07	dr	L.MULIN	00.08.30	FCI	
			engr	P.NIZZI	00.08.30		
K	F04-0347 DLE	04.12.10	chr	JF.NOTTEAU	00.08.30		
L	F05-0169 DLE	05.04.07	appd	P.NZ	00.08.30		
sheet index	revision sheet						



FCIconnect.com

Copyright FCI