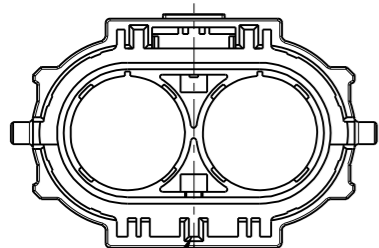
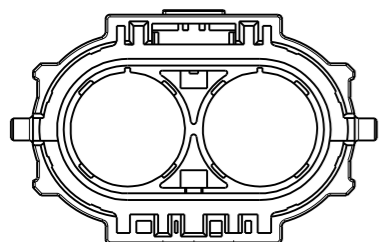


REV	ECN	DESCRIPTION	DATE	MODIFIED
1		PRE-RELEASE	24/4/17	CELINE.XIE
2		INCREASE THE BOM	12/22/17	CELINE.XIE
3		CHANGE DIAGRAM	20/07/18	CELINE.XIE
4	R3472N	ADD DIMENSIONING CHILD PAETS	18/07/19	CELINE.XIE



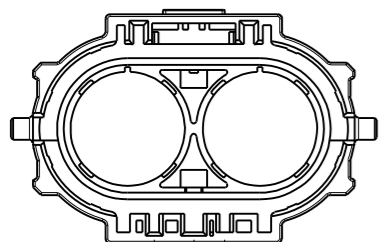
KEY WAY ϕ

HVSL 1000 06 2 A  
CODING A



7

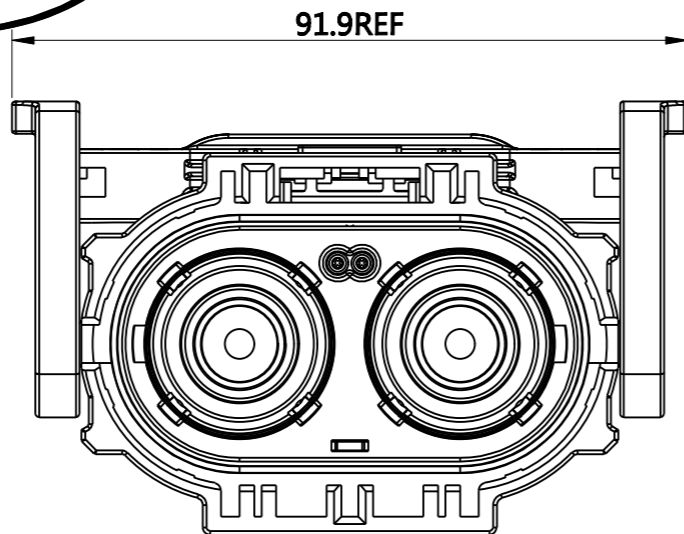
HVSL 1000 06 2 B  
CODING B



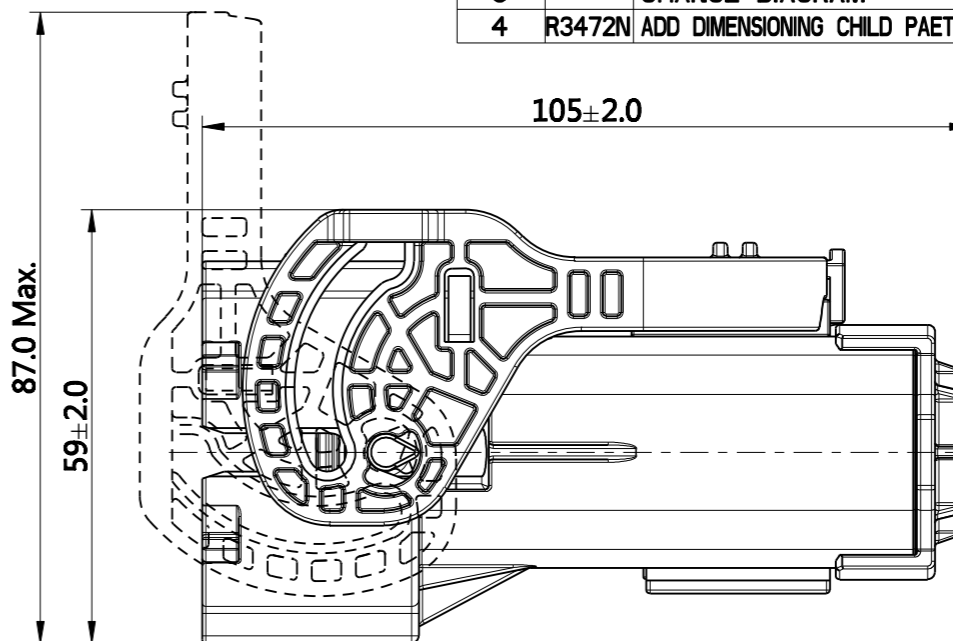
9

HVSL 1000 06 2 C  
CODING C

Amphenol PCDSZ  
ORIGINAL  
PDF Format  
R&D



91.9REF



105±2.0

87.0 Max.

59±2.0

NOTES:

- MATERIAL & FINISH:  
 PLASTIC BODY: THERMOPLASTICS ORANGE COLOR,PA66+GF25  
 POWER CONTACT: COPPER ALLOY SILVER PLATED  
 HVIL CONTACTS: COPPER ALLOY GOLD PLATED  
 SEAL RING: SI
- HVIL PIN FOR CABLE DIAMETER:0.5mm2
- TECHNICAL DATA SHEET:APCD-TD-409
- PART NUMBER DESCRIPTION:

HVSL 1000 06 2 X X XX

A: CODING A  
 B: CODING B  
 C: CODING C

0: WITHOUT HVIL  
 1: WITH HVIL

- 70: CROSS-SECTION 70mm<sup>2</sup>: WIRE OD=19.0 ± 0.3mm
- 50: CROSS-SECTION 50mm<sup>2</sup>: WIRE OD=16.5 ± 0.3mm
- 35: CROSS-SECTION 35mm<sup>2</sup>: WIRE OD=14.2 ± 0.3mm
- 25: CROSS-SECTION 25mm<sup>2</sup>: WIRE OD=11.9 ± 0.3mm

TECHNICAL DATA		RM
CURRENT RATE 25~70MM <sup>2</sup> SHIELD CABLE	25mm <sup>2</sup> :120A @AMBIENT 70° C 35mm <sup>2</sup> :150A @AMBIENT 70° C 50mm <sup>2</sup> :180A @AMBIENT 70° C 70mm <sup>2</sup> :250A @AMBIENT 70° C	+
RATING VOLTAGE (OVERVOLTAGE CATEGORY II POLLUTION DEGREE 2)	1000V DC	+
OPERRATING TEMPERATURE	-40-125° C	
DIELECTRIC WITHSTANDING VOLTAGE	3000V AC	+
INSULATION RESISTANCE	100 MΩ Min	+
DURABILITY	50 CYCLES	⊙
SHIELDING	YES	
WATERPRROF (MATED CONDITION)	IP67&IP6K9K	+
PROTECTION LEVEL	IP2XB	+
AMBIENT TEMPERATURE	40~70° C	
RoHS	YES	+

C-HVSL1000062XXXX

C-HVSL1000062XXXX

安费诺精密连接器(深圳)有限公司  
 Amphenol PCD Shenzhen

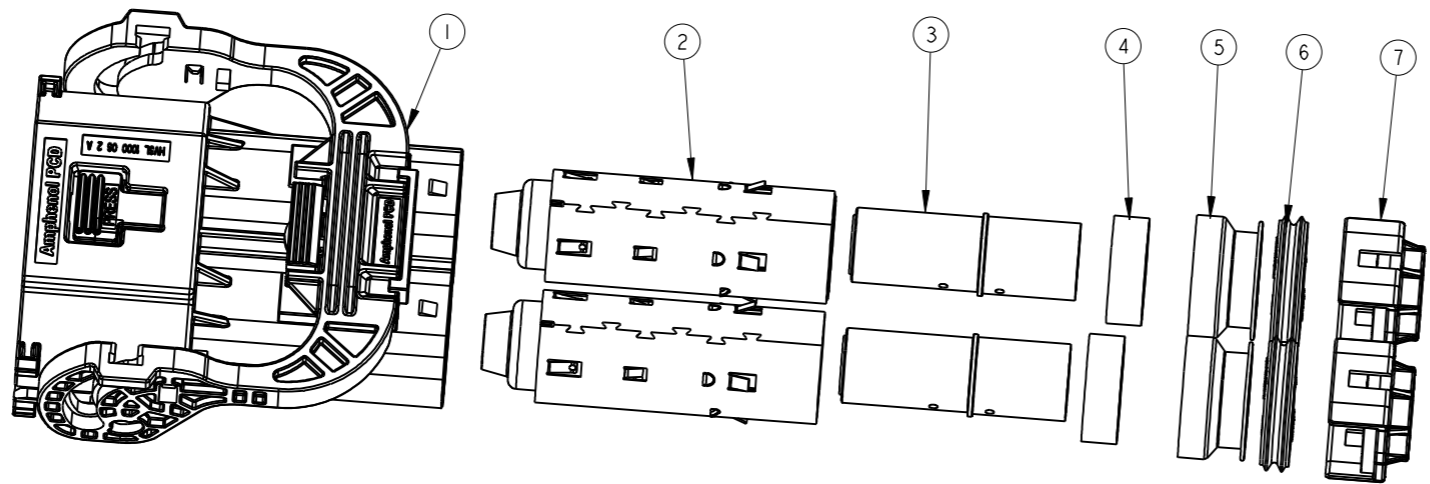
受控文件

2019年7月30日

† CRITICAL CHARACTERISTIC MARKS/关键特性符号  
 © IMPORTANT CHARACTERISTIC MARKS/重要特性符号

DIMENSIONS ANSI Y14.5M UNITS: MM Pro/E FILE	TOLERANCES .X ±0.5 .XX ±0.05 ANGLES ±0.5°	PROJECTION 	Amphenol Pcd Shenzhen ENGR CELINE.XIE 25/4/17 CHKD APPD	TITLE HVSL 1000 06 2 X STRAIGHT PLUG ASSEMBLY
ORIGINAL NOT FOR CUSTOMER DISTRIBUTION	THIS DOCUMENT CONTAINS PROPRIETARY INFORMATION WHICH IS THE CONFIDENTIAL PROPERTY OF AMPHENOL PCD SHENZHEN		SIZE A3	DWG NO. C-HVSL1000062XXXX
			REV 4	CODE: 58982
			SCALE: 1:1	SHEET 1 OF 3

Amphenol PCDSZ  
ORIGINAL  
PDF Format  
R&D



WITH INTERLOCK BOM:

HVSL1000062 X 1 XX "X"=A,B,C "XX"=25/35/50/70	7	C2200037254	2	70mm <sup>2</sup>	END CAP(CABLE OD:19.0 ± 0.3mm)
		C2200037251	2	50mm <sup>2</sup>	END CAP(CABLE OD:16.5 ± 0.3mm)
		C2200037252	2	35mm <sup>2</sup>	END CAP(CABLE OD:14.2 ± 0.3mm)
		C2200037253	2	25mm <sup>2</sup>	END CAP(CABLE OD:11.9 ± 0.3mm)
	6	C2700036044	2	70mm <sup>2</sup>	CABLE SEAL(CABLE OD:19.0 ± 0.3mm)
		C2700036041	2	50mm <sup>2</sup>	CABLE SEAL(CABLE OD:16.5 ± 0.3mm)
		C2700036042	2	35mm <sup>2</sup>	CABLE SEAL(CABLE OD:14.2 ± 0.3mm)
		C2700036043	2	25mm <sup>2</sup>	CABLE SEAL(CABLE OD:11.9 ± 0.3mm)
	5	C2000036141	2	70mm <sup>2</sup>	OUT FERRULE(CABLE OD:19.0 ± 0.3mm)
		C2000036142	2	50mm <sup>2</sup>	OUT FERRULE(CABLE OD:16.5 ± 0.3mm)
		C2000036143	2	35mm <sup>2</sup>	OUT FERRULE(CABLE OD:14.2 ± 0.3mm)
		C2000036144	2	25mm <sup>2</sup>	OUT FERRULE(CABLE OD:11.9 ± 0.3mm)
	4	C200003617	2	ALL	INNER FERRULE
	3	C4200036161	2	70mm <sup>2</sup>	SOCKRT CONTACT BODY
		C4200036162	2	50mm <sup>2</sup>	
		C4200036163	2	35mm <sup>2</sup>	
C4200036164		2	25mm <sup>2</sup>		
2	C631003619	2	ALL	SHIELDING COMPONENT	
1	HVSL1000062X1	1	KEYS	MAIN BODY & WITH HVIL	
ITEM	P/N	Q'ty	REMARK	DESCRIPTION	

HVSL1000062X1 SELECTION:

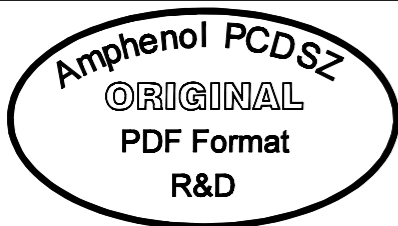
HVSL1000062A1	KEY A
HVSL1000062B1	KEY B
HVSL1000062C1	KEY C

安费诺精密连接器(深圳)有限公司  
Amphenol PCD Shenzhen  
受控文件  
2019年7月30日

SIZE A3	DWG NO. C-HVSL1000062XXXX	REV 4
CODE: 58982	SCALE: 1:1	SHEET 2 OF 3

C-HVSL1000062XXXX

C-HVSL1000062XXXX



WITHOUT INTERLOCK STRUCTURE:

ITEM	P/N	Q'ty	REMARK	DESCRIPTION	
HVSL1000062 X 0 XX "X"=A,B,C "XX"=25/35/50/70	7	C2200037254	2	70mm <sup>2</sup>	END CAP(CABLE OD:19.0 ± 0.3mm)
		C2200037251	2	50mm <sup>2</sup>	END CAP(CABLE OD:16.5 ± 0.3mm)
		C2200037252	2	35mm <sup>2</sup>	END CAP(CABLE OD:14.2 ± 0.3mm)
		C2200037253	2	25mm <sup>2</sup>	END CAP(CABLE OD:11.9 ± 0.3mm)
	6	C2700036044	2	70mm <sup>2</sup>	CABLE SEAL(CABLE OD:19.0 ± 0.3mm)
		C2700036041	2	50mm <sup>2</sup>	CABLE SEAL(CABLE OD:16.5 ± 0.3mm)
		C2700036042	2	35mm <sup>2</sup>	CABLE SEAL(CABLE OD:14.2 ± 0.3mm)
		C2700036043	2	25mm <sup>2</sup>	CABLE SEAL(CABLE OD:11.9 ± 0.3mm)
	5	C2000036141	2	70mm <sup>2</sup>	OUT FERRULE(CABLE OD:19.0 ± 0.3mm)
		C2000036142	2	50mm <sup>2</sup>	OUT FERRULE(CABLE OD:16.5 ± 0.3mm)
		C2000036143	2	35mm <sup>2</sup>	OUT FERRULE(CABLE OD:14.2 ± 0.3mm)
		C2000036144	2	25mm <sup>2</sup>	OUT FERRULECABLE OD:11.9 ± 0.3mm)
	4	C200003617	2	ALL	INNER FERRULE
	3	C4200036161	2	70mm <sup>2</sup>	SOCKRT CONTACT BODY
		C4200036162	2	50mm <sup>2</sup>	
		C4200036163	2	35mm <sup>2</sup>	
C4200036164		2	25mm <sup>2</sup>		
2	C631003619	2	ALL	SHIELDING COMPONENT	
1	HVSL1000062X0	1	KEYS	MAIN BODY & WITHOUT HVIL	
ITEM	P/N	Q'ty	REMARK	DESCRIPTION	

HVSL1000062X0 SELECTION:

HVSL1000062A0	KEY A
HVSL1000062B0	KEY B
HVSL1000062C0	KEY C

安费诺精密连接器(深圳)有限公司  
Amphenol PCD Shenzhen  
受 控 文 件  
2019年7月30日

C-HVSL1000062XXXX

C-HVSL1000062XXXX

SIZE	DWG NO.	REV
A3	C-HVSL1000062XXXX	4
CODE: 58982	SCALE: 1:1	SHEET 3 OF 3