

Specifications

Pitch:	3.5mm
Type:	90°, Wire Protector
Poles:	2 to 12
Rated Voltage:	See Table
Rated Current:	See Table
Operational Temperature:	-40°C to +105°C
Withstand Voltage:	1250V AC for 60s
Insulation Resistance:	500MΩ at 500V DC
Wire Range:	See Table
Wire Stripping Length:	5-6mm ± 0.5mm
Screw Size:	M2
Max. Torque Value:	0.2Nm
Wave Soldering:	260°C for 5s
Hand Soldering:	350°C for 10s

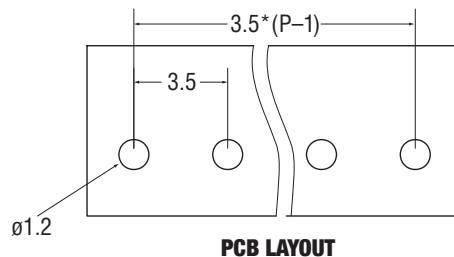
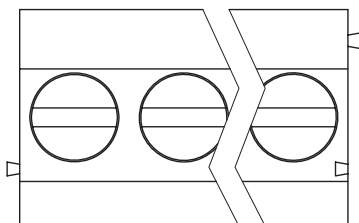
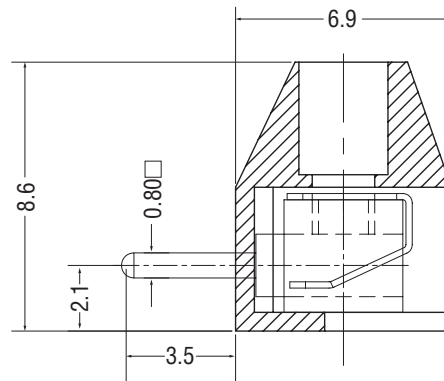
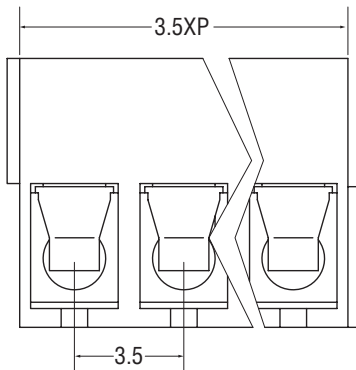
Colour and Materials

Housing Colour:	Green
Housing Material:	PA66
Flame Retardancy:	UL94-V0
Screw:	Zinc-plated steel (A3)
Wire Guard:	Stainless steel
Pin Header:	Tin-plated brass



Order Code	Poles	Order Code	Poles
21-3910	2	21-3917	8
21-3911	3	21-3918	9
21-3913	4	21-3919	10
21-3914	5	21-3922	11
21-3915	6	21-3923	12
21-3916	7		

Standard	Rated Voltage	Rated Current	Wire Range
UL	300V	7A	24-18AWG
IEC	130V	10A	1mm ²



Measurements are in mm unless stated otherwise.

