

TPC 111107



Sample image

Order symbol: TPC 111107

Product nbr: 5824039

Description: Enclosure. PC

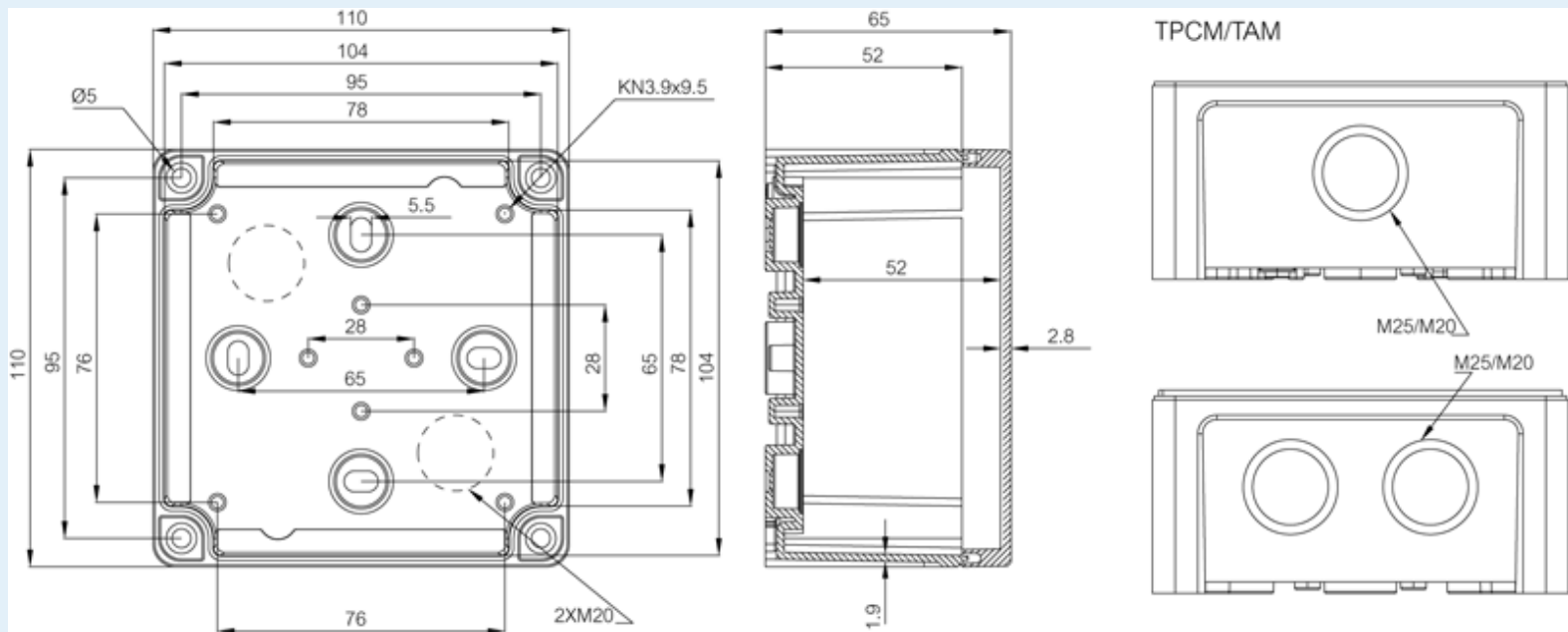
Remarks: Opaque cover

EAN: 6418074084903

Including:

El. number:

- Finland:
- Denmark:
- Sweden:



Dimensions:	Height	Width	Depth
mm:	110	110	65
inch:	4.33	4.33	2.56

Accessories:

FP 10674 Mounting foot kit (2 pcs) incl. screws

Materials:

Material: Polycarbonate
 Base colour:
 Cover colour:
 Gasket material:

Rating:

Ingress protection (EN 60529):	IP65;
Impact Resistance (EN 62262):	IK07; IK08;
Electrical insulation:	Totally insulated
Halogen free (DIN/VDE 0472, Part 815):	1
UV resistance:	-
Flammability Rating:	UL 746C 5"

Temperatures:

Temperature °C (short term):: -40 ... 120

Temperature °C (continuous):

Temperature °F (short term): -40 ... 250

Temperature °F (continuous): -40 ... 175

Glow Wire Test (IEC 695-2-1) °C:

960 °C

NEMA Class

Certificates:

Certificate FI 40343