



Part no.: 50133014
MSI-SR-CM42R-01
Safety relay



Figure can vary

Contents

- Technical data
- Dimensioned drawings
- Electrical connection
- Circuit diagrams
- Notes

Part no.: 50133014 – MSI-SR-CM42R-01 – Safety relay

Technical data

Basic data	
Series	MSI-SR-CM42
Application	Extension unit for base devices in safety applications

Functions	
Restart	Automatic

Characteristic parameters	
SIL	3 , IEC 61508
SILCL	3 , IEC/EN 62061
Performance Level (PL)	e , EN ISO 13849-1
PFH _D	0.000000015 per hour
PFH _D	1,5E-09 per hour
Mission time T _M	20 years , EN ISO 13849-1
Category	4 , EN ISO 13849

Electrical data	
Supply circuit	
Nominal voltage U _N	24 V DC
Rated power DC	1.4 W
Output circuit	
Release current paths	4
Signaling current paths	2
Contact material	Ag alloy, gold-plated
Usage category AC-15 (NO contact)	Ue 230V, Ie 3A
Usage category DC-13 (NO contact)	Ue 24V, Ie 1A
Short circuit protection (NO contact)	gG class safety fuse 6A, melting integral
Max. thermal continuous current I _{th} , release current paths	6 A
Max. thermal continuous current I _{th} , signaling current paths	1 A
Max. total current I ² of all current paths	144 A ²
Mechanical life time	100,000,000 switching cycles
Control circuit	
Max. peak current at the control inputs (safety circuit/reset circuit)	110 mA
Max. cable resistance, per channel	≤ (5 + (1.333 x U _B / U _N - 1) x 200) Ω
Release time t _R	15 ms
Recovery time t _W	30 ms

Connection	
Number of connections	1 Piece(s)
Connection 1	
Type of connection	Terminal
Function	Signal IN Signal OUT Voltage supply
Type of terminal	Screw terminal
No. of pins	16 -pin

Part no.: 50133014 – MSI-SR-CM42R-01 – Safety relay**Cable properties**

Connection cross sections	1 x 0.2 to 2.5 mm ² , wire 1 x 0.2 to 2.5 mm ² , wire 1 x 0.25 to 2.5 mm ² , wire with wire-end sleeve 2 x 0.2 to 1.0 mm ² , wire 2 x 0.2 to 1.0 mm ² , wire 2 x 0.25 to 1.0 mm ² , wire with wire-end sleeve
---------------------------	--

Mechanical data

Dimension (W x H x L)	22.5 mm x 96.5 mm x 114 mm
Net weight	180 g
Housing color	Gray
Type of fastening	Snap-on mounting

Certifications

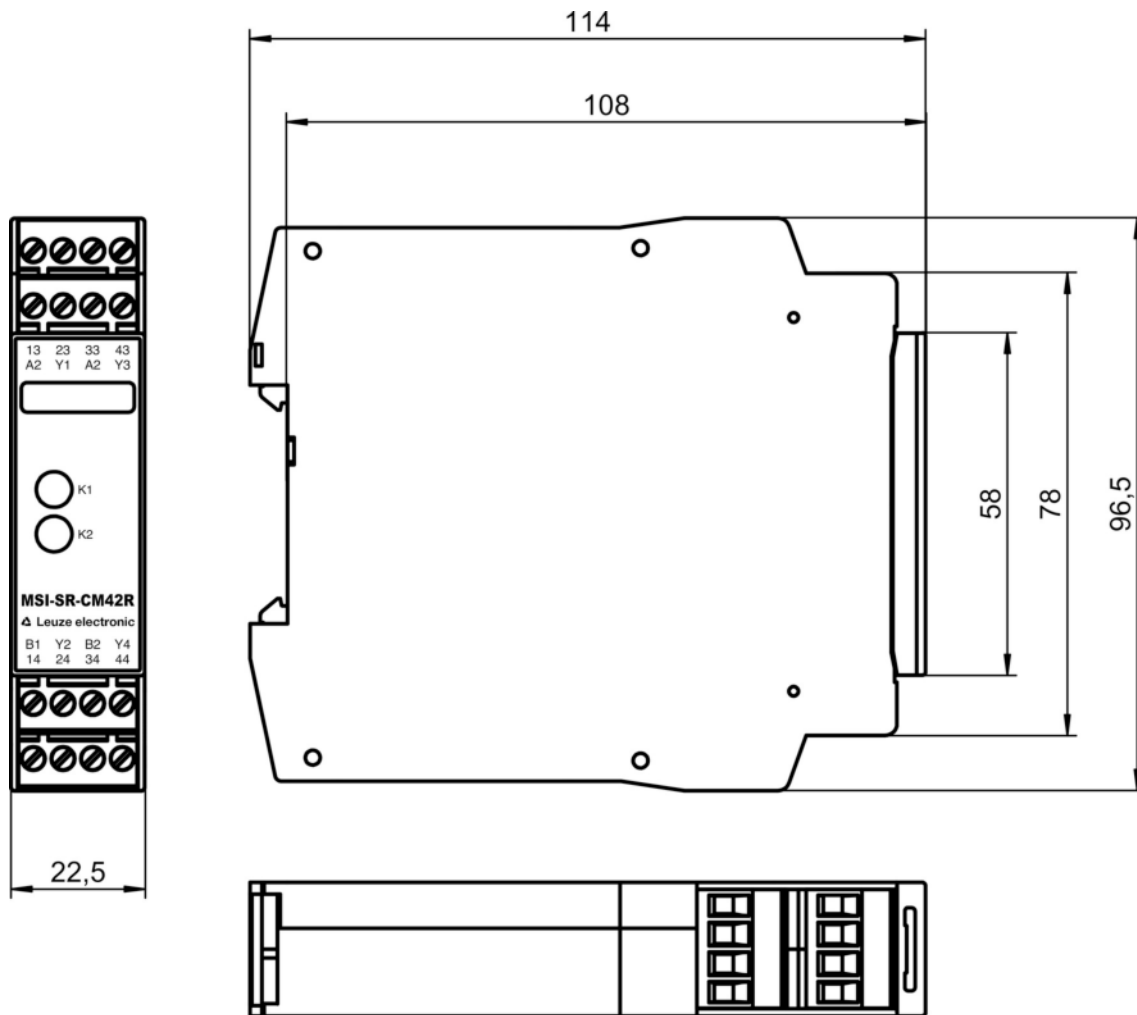
Certifications	c UL US TÜV Rheinland
----------------	--------------------------

Classification

Customs tariff number	85364190
eCl@ss 8.0	27371819
eCl@ss 9.0	27371819
ETIM 5.0	EC001449
ETIM 6.0	EC001449

Dimensioned drawings

All dimensions in millimeters



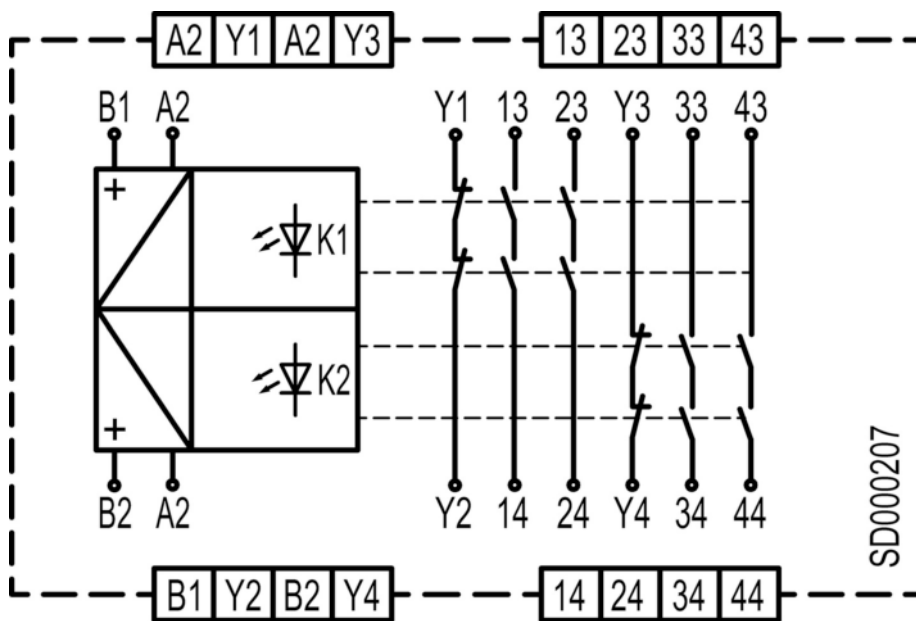
Electrical connection

Connection 1	
Type of connection	Terminal
Function	Signal IN Signal OUT Voltage supply
Type of terminal	Screw terminal
No. of pins	16 -pin

Terminal	Assignment
13	Release current path 1 (NO contact)
14	Release current path 1 (NO contact)
23	Release current path 2 (NO contact)
24	Release current path 2 (NO contact)
33	Release current path 3 (NO contact)
34	Release current path 3 (NO contact)
43	Release current path 4 (NO contact)
44	Release current path 4 (NO contact)
A1	Control circuit 1
A2	Control circuit 2

Terminal	Assignment
B1	Control circuit 1
B2	Control circuit 2
Y1	Signaling current path 1 (NC contact)
Y2	Signaling current path 1 (NC contact)
Y3	Signaling current path 2 (NC contact)
Y4	Signaling current path 2 (NC contact)

Circuit diagrams



Notes

Observe intended use!

- The product may only be put into operation by competent persons.
- Only use the product in accordance with its intended use.