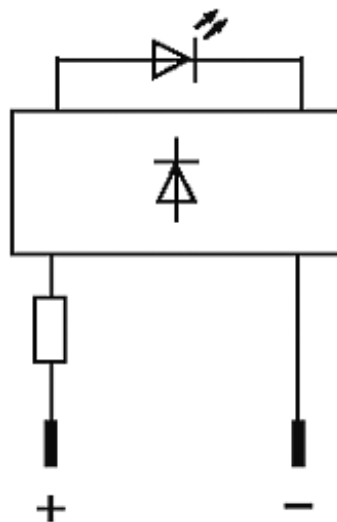
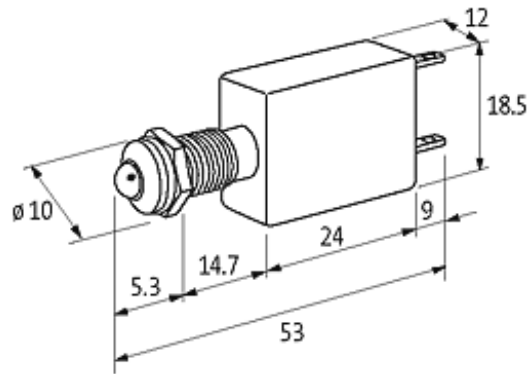


**LED-INDICATOR RED**

LED 5mm - 24V AC/DC - 15mA - IP40

(red)  
24 V AC/DC  
Protection IP40

[Link to Product](#)**Illustration**



Product may differ from Image

#### Technical Data

Operating voltage	24 V AC/DC $\pm 15\%$
Current consumption	15 $\pm 2$ mA
Protection acc. to (IEC 60529/EN 60529)	IP40

#### General data

Housing	Adapter – PVC, gray
LED $\varnothing$	5 mm
Front panel hole diameter $\varnothing$	8 mm
Dimensions H $\times$ W $\times$ D	18.5 $\times$ 12 $\times$ 53 mm
Connection	Faston 2.8 $\times$ 0.8 mm
Temperature range	-40...+70 °C

#### Commercial data

country of origin	DE
customs tariff number	85414010
minimum order quantity	10