



**Model Number**

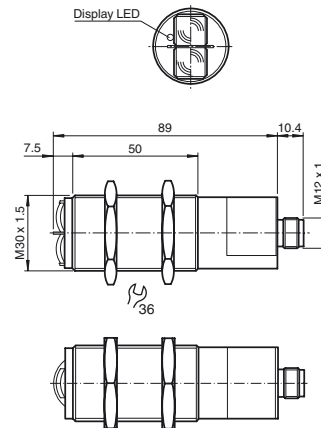
**GLV30-8-H-4575**

Background suppression sensor  
4-pin, M12 x 1 connector

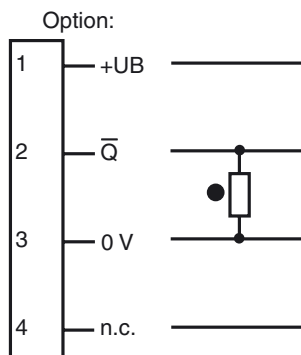
**Features**

- M30 plastic housing
- Dark-On switching

**Dimensions**

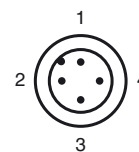


**Electrical connection**



- = Light on
- = Dark on

**Pinout**



Release date: 2014-01-21 13:17 Date of issue: 2014-01-21 249879\_eng.xml

Refer to "General Notes Relating to Pepperl+Fuchs Product Information".

Pepperl+Fuchs Group  
www.pepperl-fuchs.com

USA: +1 330 486 0001  
fa-info@us.pepperl-fuchs.com

Germany: +49 621 776 4411  
fa-info@de.pepperl-fuchs.com

Singapore: +65 6779 9091  
fa-info@sg.pepperl-fuchs.com

**Technical data****General specifications**

|                                 |                                    |
|---------------------------------|------------------------------------|
| Detection range                 | 50 ... 750 mm                      |
| Background suppression          | starts from 1000 mm on Kodak white |
| Light source                    | IREL                               |
| Light type                      | modulated infrared light           |
| Black/White difference (6%/90%) | < 20%                              |
| Diameter of the light spot      | 30 mm at a distance of 1000 mm     |
| Angle of divergence             | $\pm 1^\circ$                      |
| Ambient light limit             | 30000 Lux                          |

**Indicators/operating means**

|                    |  |
|--------------------|--|
| Function indicator | LED yellow, lights up if receiver is not lit |
|--------------------|--|

**Electrical specifications**

|                        |       |                    |
|------------------------|-------|--------------------|
| Operating voltage      | $U_B$ | 24 V DC $\pm 25\%$ |
| Ripple                 |       | 10 %               |
| No-load supply current | $I_0$ | 35 mA              |

**Output**

|                     |  |       |
|---------------------|--|-------|
| Switching type      | dark on  |       |
| Signal output       | 1 PNP, short-circuit protected, reverse polarity protected, open collector |       |
| Switching voltage   | max. 30 V DC   |       |
| Switching current   | max. 200 mA  |       |
| Switching frequency | f  | 25 Hz |
| Response time       |  | 30 ms |

**Standard conformity**

|           |              |
|-----------|--------------|
| Standards | EN 60947-5-2 |
|-----------|--------------|

**Ambient conditions**

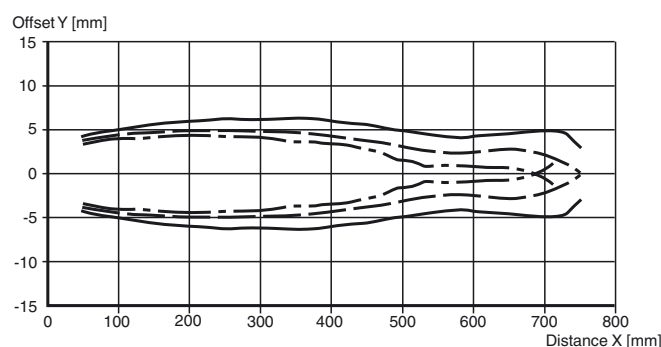
|                     |                               |
|---------------------|-------------------------------|
| Ambient temperature | -20 ... 60 °C (-4 ... 140 °F) |
| Storage temperature | -20 ... 75 °C (-4 ... 167 °F) |

**Mechanical specifications**

|                   |                                  |
|-------------------|----------------------------------|
| Protection degree | IP67                             |
| Connection        | Plastic connector M12 x 1, 4-pin |
| Material          |                                  |
| Housing           | ABS                              |
| Optical face      | plastic lenses                   |
| Mass              | approx. 70 g                     |

**Approvals and certificates**

|              |  |
|--------------|--|
| UL approval  | cULus Listed, Class 2 Power Source, Type 1 enclosure               |
| CCC approval | CCC approval / marking not required for products rated $\leq 36$ V |
| Approvals    | CE   |

**Curves/Diagrams****Characteristic response curve****Accessories****V1-G-2M-PUR**

Female cordset, M12, 4-pin, PUR cable

**V1-W-2M-PUR**

Female cordset, M12, 4-pin, PUR cable

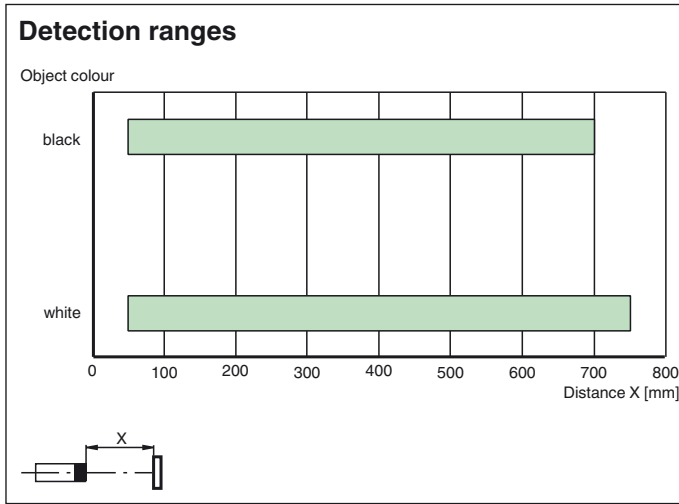
**BF 30**

Mounting flange, 30 mm

**BF 30-F**

Mounting flange with dead stop, 30 mm

Other suitable accessories can be found at [www.pepperl-fuchs.com](http://www.pepperl-fuchs.com)



Release date: 2014-01-21 13:17 Date of issue: 2014-01-21 249879\_eng.xml

Refer to "General Notes Relating to Pepperl+Fuchs Product Information".

Pepperl+Fuchs Group  
www.pepperl-fuchs.com

USA: +1 330 486 0001  
fa-info@us.pepperl-fuchs.com

Germany: +49 621 776 4411  
fa-info@de.pepperl-fuchs.com

Singapore: +65 6779 9091  
fa-info@sg.pepperl-fuchs.com