

FRONT BUS CONNECTORS 3 PCS. ACCESSORY FOR: 3VA4/5  
125



### Model

Product brand name	SETRON
Product designation	accessories

### Connections according IEC

Thickness / of the busbar / minimum	1 mm
Width / of the busbar / maximum	22 mm
Thickness / of the busbar / maximum	8 mm

### Connections according UL

Width / of the busbar / maximum	0.9 in
Thickness / of the busbar / minimum	0.04 in
Thickness / of the busbar / maximum	0.3 in

### Certificates

General Product Approval	EMC	Declaration of Conformity	other
 CSA	 UL		 RCM  EG-Konf. <a href="#">Miscellaneous</a>

#### Further information

**Information- and Downloadcenter (Catalogs, Brochures,...)**

<http://www.siemens.com/lowvoltage/catalogs>

**Industry Mall (Online ordering system)**

<https://mall.industry.siemens.com/mall/en/en/Catalog/product?mlfb=3VA9133-0QB00>

**Service&Support (Manuals, Certificates, Characteristics, FAQs,...)**

<https://support.industry.siemens.com/cs/ww/en/ps/3VA9133-0QB00>

**Image database (product images, 2D dimension drawings, 3D models, device circuit diagrams, ...)**

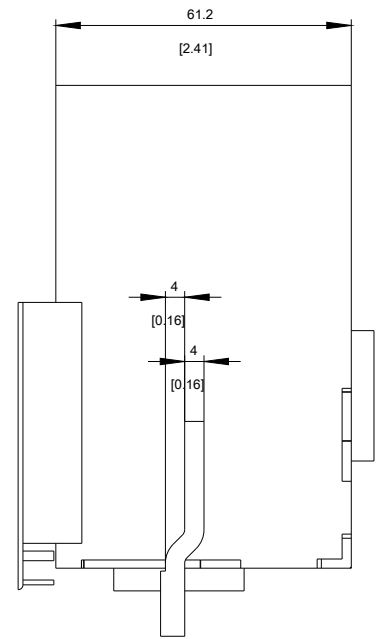
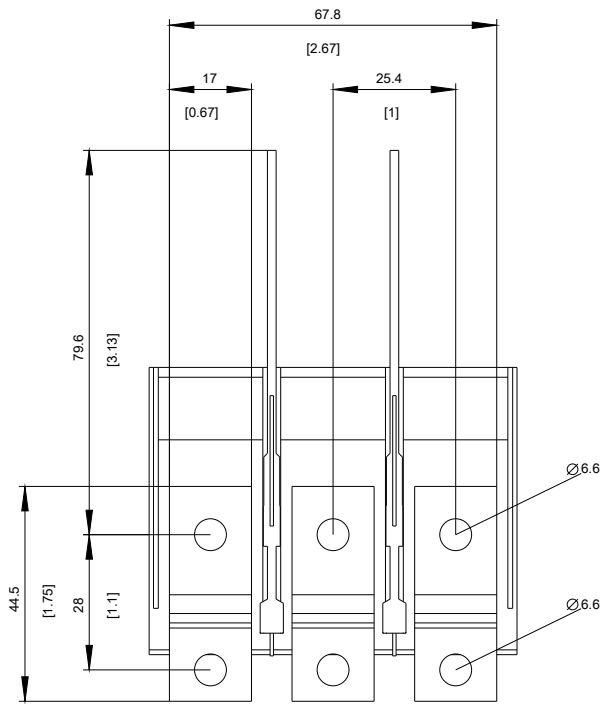
[http://www.automation.siemens.com/bilddb/cax\\_en.aspx?mlfb=3VA9133-0QB00](http://www.automation.siemens.com/bilddb/cax_en.aspx?mlfb=3VA9133-0QB00)

**CAX-Online-Generator**

<http://www.siemens.com/cax>

**Tender specifications**

<http://www.siemens.com/specifications>



**last modified:**

08/28/2017