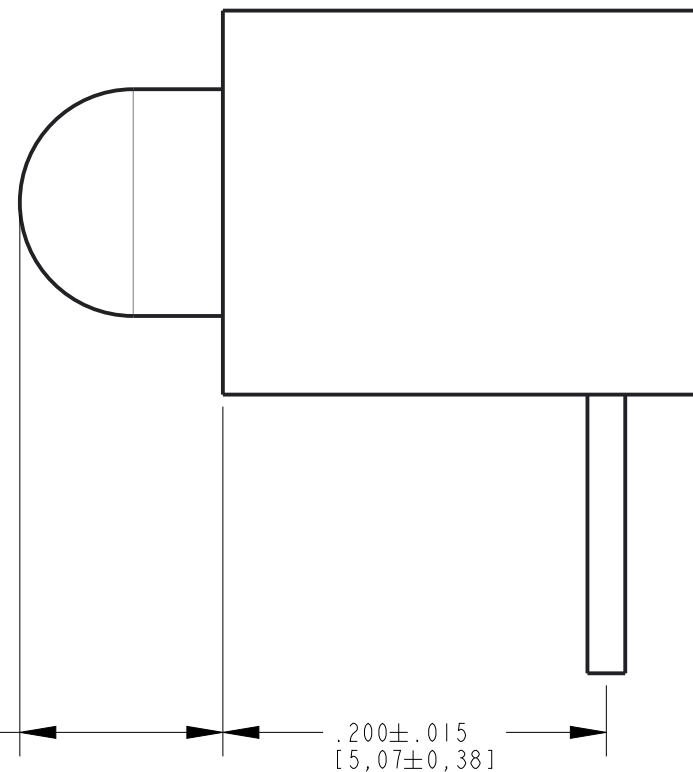
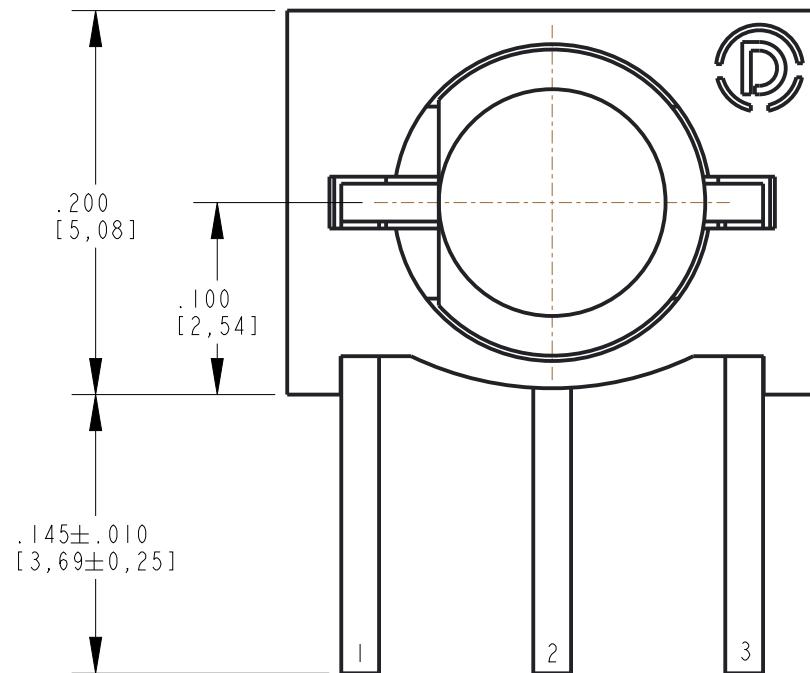
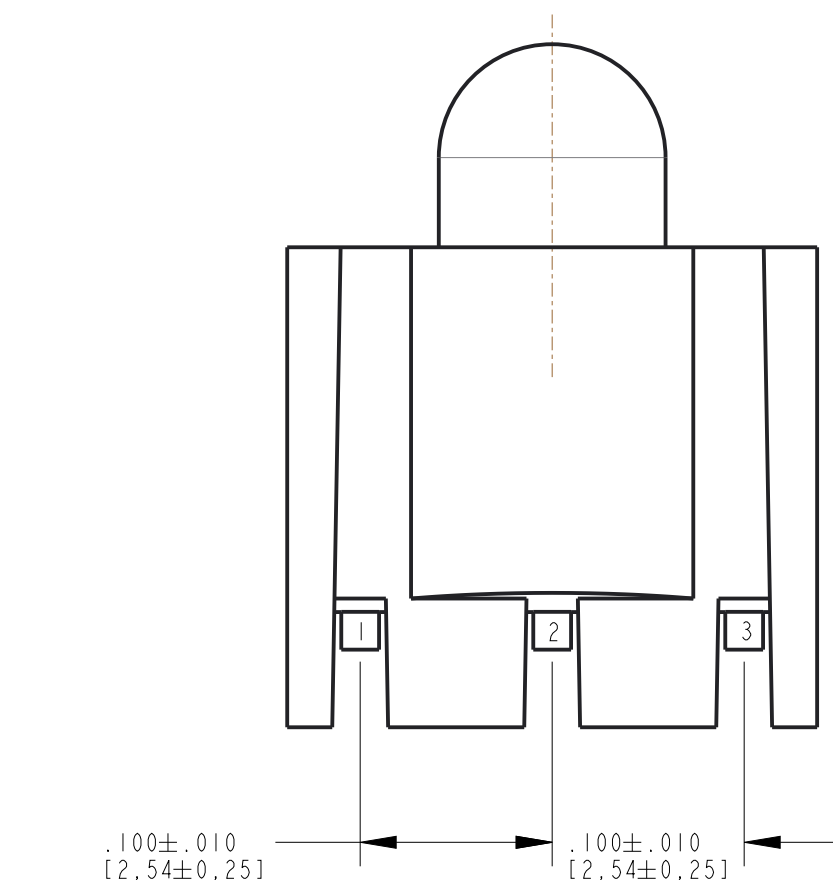
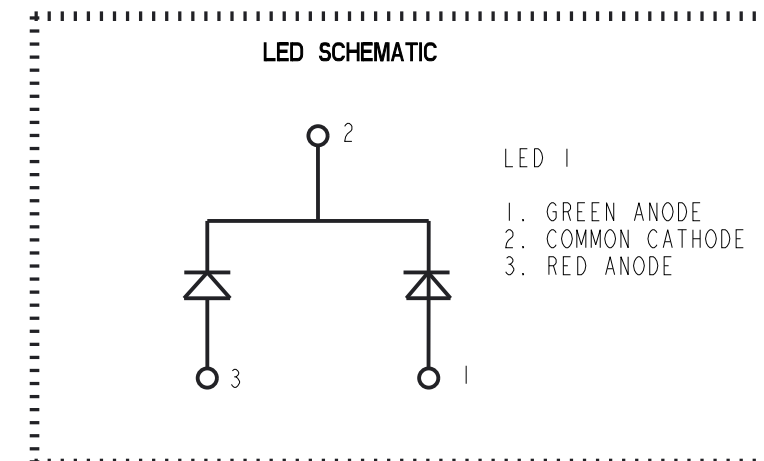


| REV | REVISIONS   | DRN | CKD | APP | QA | CM | DATE   |
|-----|-------------|-----|-----|-----|----|----|--------|
| A   | NEW RELEASE | LD  | NO  |     |    |    | 1-4-22 |



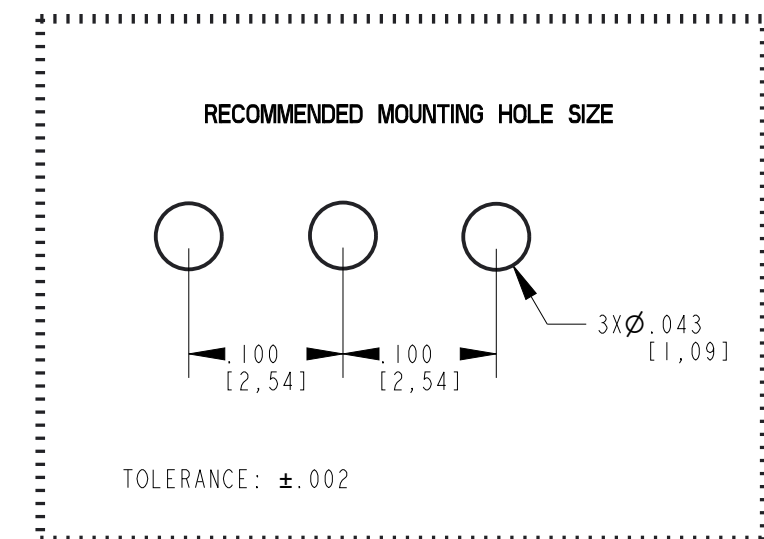
NOTES:

1. DIALIGHT PART NUMBER: 551-3513F
2. CENTER TO CENTER LEAD DIMENSIONS MEASURED AT HOUSING EXIT.
3. THIS ASSEMBLY CONTAINS ELECTROSTATIC DISCHARGE SENSITIVE DEVICES (ESDS). MAINTAIN ALL PRECAUTIONARY MEASURES DURING ASSEMBLY, HANDLING, AND STORAGE IN ACCORDANCE WITH IPC-A-610.



| ABSOLUTE MAXIMUM RATINGS AT TA=25 C                              |                           |     |      |
|--|---------------------------|-----|------|
| PARAMETER  | GREEN                     | RED | UNIT |
| POWER DISSIPATION  | 100                       | 100 | mW   |
| PEAAK FORWARD CURRENT<br>(DUTY CYCLE < 1/10, PULSE WIDTH < 10ms) | 120                       | 120 | mA   |
| DC FORWARD CURRENT   | 30                        | 30  | mA   |
| OPERATING TEMPERATURE RANGE                                      | -30° C TO +85° C          |     |      |
| STORAGE TEMPERATURE RANGE  | -40° C TO +100° C         |     |      |
| LEAD SOLDERING TEMPERATURE<br>[2.0mm(.079")FROM BODY]            | 260° C FOR 5 SECONDS MAX. |     |      |

| ELECTRICAL/OPTICAL CHARACTERISTICS AT TA=25 C |                |       |      |      |      |      |                |
|---|----------------|-------|------|------|------|------|----------------|
| PARAMETER                                     | SYMBOL         | COLOR | MIN. | TYP. | MAX. | UNIT | TEST CONDITION |
| RADIANT INTENSITY                             | I <sub>v</sub> | RED   | 12.6 | 19   | 100  | mcd  | IF=20mA        |
|   |                | GREEN | 12.6 | 19   | 100  |      |                |
| VIEWING ANGLE                                 |                | RED   |      |      |      | deg  |                |
|   |                | GREEN |      | 75   |      |      |                |
| PEAK EMISSION WAVELENGTH                      |                | RED   |      | 630  |      | nm   |                |
|   |                | GREEN |      | 565  |      |      |                |
| DOMINANT WAVELENGTH                           |                | RED   | 615  | 625  | 634  | nm   |                |
|   |                | GREEN | 565  | 573  | 578  |      |                |
| SPECTRAL LINE HALF-WIDTH                      |                | RED   |      | 40   |      | nm   |                |
|   |                | GREEN |      | 30   |      |      |                |
| FORWARD VOLTAGE                               | VF             | RED   |      | 2.0  | 2.6  | V    | IF=20mA        |
|   |                | GREEN |      | 2.1  | 2.6  |      |                |
| REVERSE CURRENT                               | IR             | RED   |      |      | 100  |      | VR=5V          |
|   |                | GREEN |      |      |      |      |                |



THIS DRAWING AND THE CONTENTS HEREIN ARE CONFIDENTIAL AND THE SOLE PROPERTY OF DIALIGHT CORP. REPRODUCTION OF THIS DRAWING OR CONSTRUCTION OF ANY PARTS WITHIN THIS DRAWING ARE FORBIDDEN WITHOUT THE WRITTEN CONSENT OF DIALIGHT CORP.

DIALIGHT CORP INTERNAL REFERENCE ONLY = 3D MODEL : 5513513F-A.4

|   |   |               |
|---|---|---------------|
| SCALE: 3.000  | DRAWING NUMBER  | REV           |
| ALL DIM's: INCH (mm)  | <b>C-18547</b>  | <b>A</b>      |
| TOLERANCES:<br>UNLESS OTHERWISE SPECIFIED   | TITLE<br>3MM CBI .100" CL R/G 3 LEADS   |               |
| FRACTIONS: ±1/64<br>DECIMALS (.XX): ±.01<br>DECIMALS (.XXX): ±.005<br>DECIMALS (.XXXX): ±.0005<br>ANGLES: ±1° | MATERIAL<br>SEE BOM   |               |
| FINISH  | <b>Dialight</b><br>1501 ROUTE 34 SOUTH<br>FARMINGDALE, NJ 07727<br>(732) 919-3119<br>www.dialight.com |               |
| FSCM 83330  | SHEET 1 OF 1  | FAMILY TABLE: |