

Rocker Switch IP65

multicomp PRO

**RoHS
Compliant**



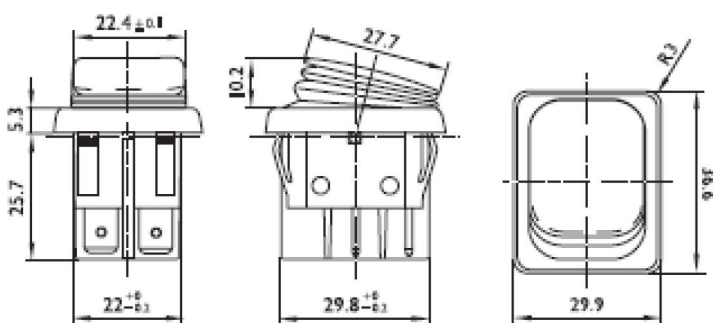
Wiring diagrams



Terminal type



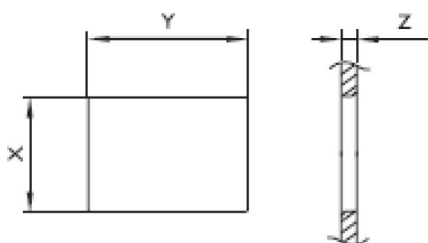
Diagram



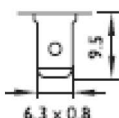
Rating

20 (10) A / 250V AC
 14 (14) A / 250V AC - 5E4
 T120/55°C
 EN 61058
 25 A / 125V AC
 16 A / 250V AC
 3/4 HP - 125 / 250V AC
 T105°C
 UL 1054
 CSA C22.2

Cut out



Termination



Z	Y	X
0.7-1.25	30.2 ± 0.1	22.0 ± 0.1
1.25-2.0	30.6 ± 0.1	22.0 ± 0.1
2.0-3.0	30.8 ± 0.1	22.0 ± 0.1

Specification

Cutout : 22mm × 30mm
 Switch Action : Latching
 Illumination : Illuminated
 Shape : Rectangular
 Poles : DPST
 Switch Rating : 20(10)A/250V AC
 Terminals : 6.3mm tabs
 Colour : Black body, Green illuminated switch
 Switch Function : On-Off
 Voltage : 250V
 IP Rating : IP65

Part Number Table

Description	Part Number
Rocker Switch, IP65, DPST, On-Off, Green	MP011250

Dimensions : Millimetres

Important Notice : This data sheet and its contents (the "Information") belong to the members of the AVNET group of companies (the "Group") or are licensed to it. No licence is granted for the use of it other than for information purposes in connection with the products to which it relates. No licence of any intellectual property rights is granted. The Information is subject to change without notice and replaces all data sheets previously supplied. The Information supplied is believed to be accurate but the Group assumes no responsibility for its accuracy or completeness, any error in or omission from it or for any use made of it. Users of this data sheet should check for themselves the Information and the suitability of the products for their purpose and not make any assumptions based on information included or omitted. Liability for loss or damage resulting from any reliance on the Information or use of it (including liability resulting from negligence or where the Group was aware of the possibility of such loss or damage arising) is excluded. This will not operate to limit or restrict the Group's liability for death or personal injury resulting from its negligence. Multicomp Pro is the registered trademark of Premier Farnell Limited 2019.

Newark.com/multicomp-pro
 Farnell.com/multicomp-pro
 sg.element14.com/b/multicomp-pro

multicomp PRO