

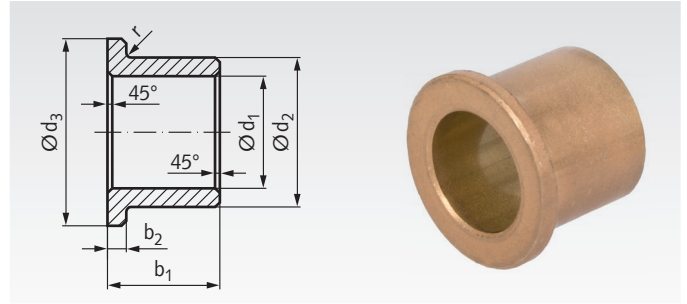
Flange Bushes Version V Similar to DIN 1850-3 Made from Sintered Bronze for Plain Bearings

Material: Sintered bronze similar SINT A50.

Self lubricating, oil coated, pressed ready-to-install and calibrated. After press-fitting them into a rigid bearing housing with a mounting hole H7, these bearings have a bore tolerance H7. Edges chamfered at 45°, at choice of the manufacturer. No statement regarding the surface roughness according to DIN 3141 (prenorm) can be given due to the porous structure of the sintered metal.

Dimension r: For bores 3 - 8 mm = 0.3 mm, bores 9 - 22 mm = 0.6 mm, bores 25 - 60 mm = 0.8 mm

Ordering Details: e.g.: Product No. 62350100, Flange Bronze Bush, 3 mm Bore



Product No.	d ₁ ^{G8} mm	d ₂ ^{s8} mm	d ₃ ^{js13} mm	b ₁ ^{js13} mm	b ₂ ^{js14} mm	Weight g
623 501 00	3	6	9	4	1,5	0,92
623 501 06	3	6	9	6	1,5	1,31
623 502 00	3	6	9	10	1,5	1,77
623 504 00	4	8	12	4	2	1,79
623 504 03	4	8	12	8	2	2,86
623 504 05	4	8	12	12	2	3,87
623 508 00	6	10	14	6	2	3,03
623 509 00	6	10	14	10	2	4,38
623 510 00	6	10	14	16	2	6,40
623 512 00	8	12	16	8	2	4,53
623 513 00	8	12	16	12	2	6,22
623 514 00	8	12	16	16	2	7,91
623 515 06	9	14	19	6	2,5	5,80
623 515 10	9	14	19	10	2,5	8,22
623 515 14	9	14	19	14	2,5	10,64
623 517 00	10	13	16	10	1,5	9,08
623 518 00	10	13	16	16	1,5	6,50
623 518 01	10	13	16	20	1,5	7,95
623 518 02	10	14	18	10	2	6,40
623 518 03	10	14	18	15	2	8,92
623 518 04	10	14	18	20	2	11,45
623 518 05	10	15	20	10	3	9,34
623 518 07	10	15	20	16	3	13,29
623 518 10	10	16	22	10	3	11,80
623 518 15	10	16	22	16	3	16,72
623 520 00	12	15	18	12	1,5	5,89
623 521 00	12	15	18	16	1,5	7,60
623 522 00	12	17	22	12	2,5	11,71
623 522 02	12	17	22	16	2,5	14,77
623 521 05	12	17	22	20	2,5	18,33
623 522 05	12	18	24	12	3	15,34
623 523 00	12	18	24	20	3	22,91
623 524 00	14	18	22	14	2	11,10
623 524 22	14	18	22	22	2	16,50
623 525 14	14	20	25	14	3	18,58
623 525 25	14	20	25	25	3	30,39
623 526 15	15	20	25	15	3	17,36
623 526 20	15	20	25	20	3	21,97
623 527 00	16	20	24	16	2	13,96
623 528 00	16	20	24	20	2	17,17
623 528 05	16	22	28	25	3	34,71
623 529 00	16	22	28	16	3	23,95
623 530 00	16	22	28	20	3	28,63
623 532 00	18	22	26	18	2	17,10
623 532 22	18	22	26	22	2	20,54
623 532 28	18	22	26	28	2	25,59
623 533 00	18	24	30	18	3	28,97
623 534 00	20	24	28	16	2	17,03
623 535 00	20	24	28	20	2	20,70
623 535 05	20	26	32	15	3	21,77
623 536 00	20	26	32	16	3	28,94
623 537 00	20	26	32	20	3	34,45
623 538 00	20	26	32	25	3	41,69
623 538 05	20	26	32	32	3	51,94
623 539 00	20	28	35	20	4	49,67
623 539 25	20	28	35	25	4	59,79
623 539 30	20	28	35	30	4	69,90
623 539 65	22	28	33	15	4	30,10
623 539 75	22	28	33	25	4	45,86
623 540 00	25	30	35	20	2,5	33,20
623 541 00	25	30	35	25	2,5	40,38
623 541 02	25	32	39	20	3,5	51,14

Product No.	d ₁ ^{G8} mm	d ₂ ^{s8} mm	d ₃ ^{js13} mm	b ₁ ^{js13} mm	b ₂ ^{js14} mm	Weight g
623 541 05	25	32	39	25	3,5	64,58
623 541 07	25	35	45	16	5	71,55
623 541 08	25	35	45	25	5	99,97
623 541 09	25	35	45	30	5	115,76
623 542 00	28	33	38	22	2,5	39,96
623 542 05	28	33	38	36	2,5	62,42
623 543 00	28	36	44	22	4	72,72
623 543 36	28	36	44	36	4	110,46
623 544 00	30	38	46	20	4	71,36
623 544 05	30	38	46	25	4	85,67
623 544 10	30	38	46	30	4	99,97
623 545 20	32	40	48	20	4	75,43
623 545 25	32	40	48	25	4	90,59
623 545 30	32	40	48	30	4	105,74
623 546 25	35	45	55	25	5	131,54
623 546 35	35	45	55	35	5	173,64
623 547 00	36	45	54	28	4,5	128,44
623 547 05	36	45	54	36	4,5	159,12
623 551 00	36	45	54	22	4,5	105,42
623 550 00	40	46	52	40	3	117,83
623 552 00	40	50	60	25	5	147,26
623 552 05	40	50	60	40	5	218,27
623 554 28	45	56	67	28	5,5	202,83
623 554 36	45	56	67	36	5,5	249,60
623 554 45	45	56	67	45	5,5	302,22
623 555 00	50	60	70	32	5	219,32
623 555 05	50	60	70	50	5	323,46
623 560 50	60	70	80	50	5	381,49
623 560 60	60	70	80	60	5	449,90

Technical Data

Surface pressure: max. 35 N/mm², depending on speed and diameter.
 Maximum load: P*V = 2,5 MPA*m/s
 Density: ca. 6,4 - 6,8 g/cm³.
 Radial breaking strength: min. 120 N/mm².
 Hardness: min. 25 HB.
 Porosity: ≈ 25%, filled with oil.
 Oil type: Mineral oil ISO VG 68.
 Temperature range: -20°C to +120°C.