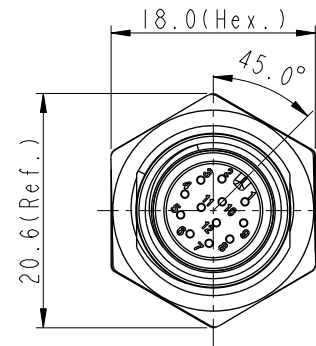
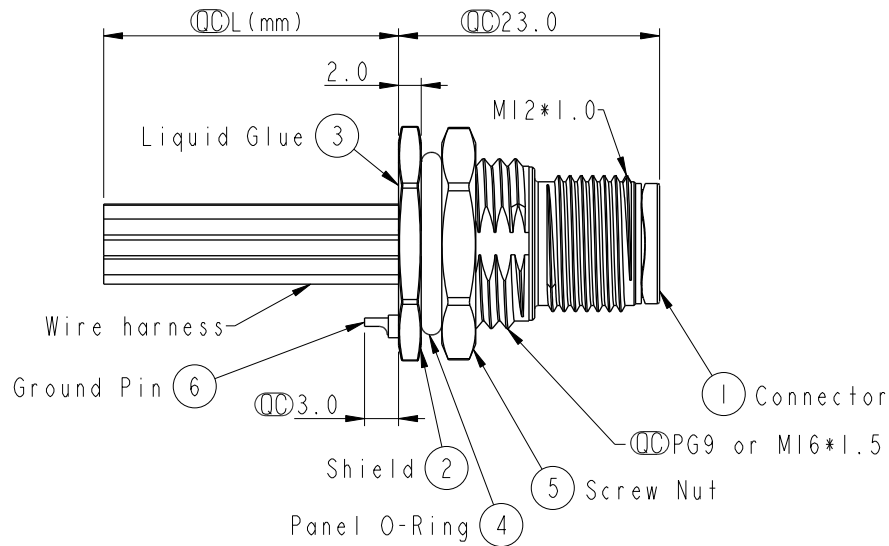
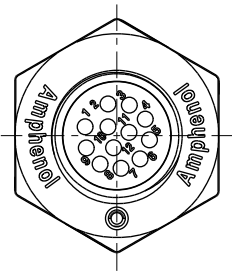
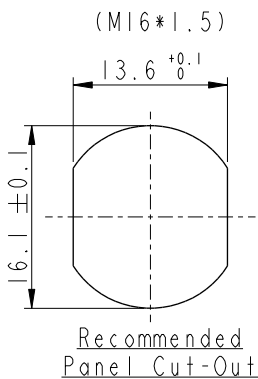
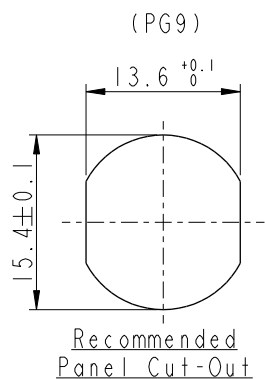


REV.	ECN NO.	DATE	SIGN	DESCRIPTION
A		2019-03-08	Allen Pan	



Notes:

- \*  $\varnothing$  Important Dimension.
- \* Waterproof Rate: IP68, IP69K.
- \* Connector: Nylon+GF, Black.
- \* Male Pin: Copper Alloy, Gold Plated.
- \* Shield: Zinc Alloy, Nickel Plated.
- \* Screw Nut: Zinc Alloy, Nickel Plated.
- \* Panel O-Ring: Viton, Black.
- \* Wire harness: UL1061
- \* Rated Voltage: 3 & 4Pin 250V dc. or ac.  
5Pin 60V dc. or ac.  
6~12Pin 30V dc. or ac.
- \* Rated Current: 3~5Pin 4A  
6~8Pin 2A  
10~12Pin 1.5A
- \* Operating Temperature: -25~85°C
- \* For Panel Thickness Max 4.5mm.
- \* Nut Torque: 4-6 Kgf.cm.
- \* Wire harness Tolerance: 150~300 ±15mm  
301~1000 ±20mm  
Over1000 ±40mm



UNIT: mm		
TOLERANCE	.X ±0.25	
.XX ±0.1		
.XXX ±0.05		
ANGLES	±1°	

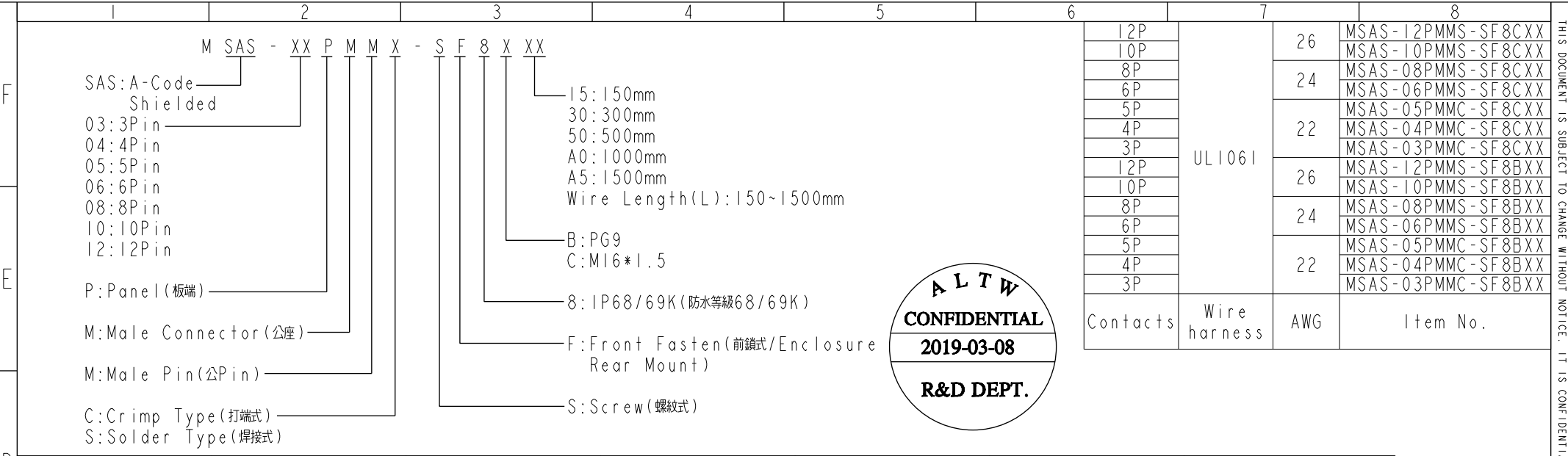
TITLE M12 A-Code Male Conn. Panel Front With Wire harness Shielded			
SCALE 3:2	SIZE A4	SHEET 1 OF 2	
REV. A	WC-REV. A.1	$\varnothing$ : Inspection item	

**Amphenol LTW**  
安費諾亮泰企業股份有限公司

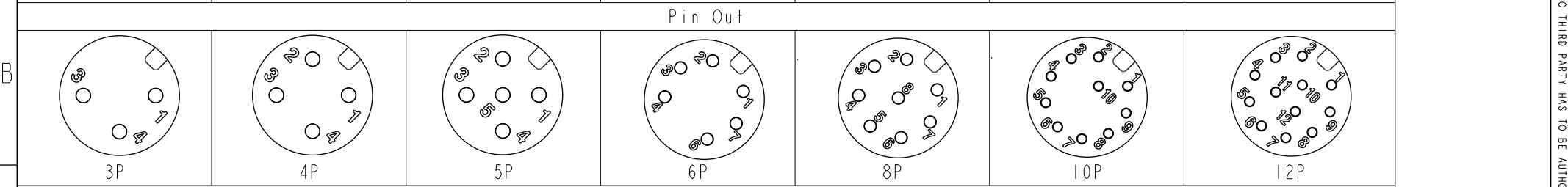
ITEM NO.	DRAWN BY Allen Pan	DATE 2019-03-08
DWG NO. MSAS-XXPMX-SF8XXX	CHECKED BY Fred Lee	DATE 2019-03-08
CUSTOMER ALTW	APPROVED BY Fred Lee	DATE 2019-03-08

THIS DOCUMENT IS SUBJECT TO CHANGE WITHOUT NOTICE. IT IS CONFIDENTIAL AND A PROPERTY OF Amphenol LTW. DISCLOSURE TO THIRD PARTY HAS TO BE AUTHORIZED BY Amphenol LTW.

THIS DOCUMENT IS SUBJECT TO CHANGE WITHOUT NOTICE. IT IS CONFIDENTIAL AND A PROPERTY OF Amphenol LTW. DISCLOSURE TO THIRD PARTY HAS TO BE AUTHORIZED BY Amphenol LTW.



Pin #	Wire	Pin #	Wire	Pin #	Wire	Pin #	Wire	Pin #	Wire	Pin #	Wire	Pin #	Wire
12	--	12	Red/Blue	12	Red	12	Red	12	Red	12	Red	12	Red/Blue
11	--	11	Gray/Pink	11	Blue	11	Blue	11	Blue	11	Blue	11	Gray/Pink
10	Violet	10	Violet	10	Gray	10	Gray	10	Gray	10	Gray	10	Violet
9	Black	9	Black	9	Blue	9	Blue	9	Blue	9	Black	9	Black
8	Red	8	Red	8	Yellow	8	Yellow	8	Yellow	8	Red	8	Red
7	Blue	7	Blue	7	Green	7	Green	7	Green	7	Blue	7	Blue
6	Pink	6	Pink	6	Brown	6	Brown	6	Brown	6	Pink	6	Pink
5	Gray	5	Gray	5	White	5	White	5	White	5	Gray	5	Gray
4	Yellow	4	Yellow	4	White	4	White	4	White	4	Yellow	4	Yellow
3	Green	3	Green	3	White	3	White	3	White	3	Green	3	Green
2	Brown	2	Brown	2	White	2	White	2	White	2	Brown	2	Brown
1	White	1	White	1	White	1	White	1	White	1	White	1	White



Pin Assignments Front View

<b>UNIT: mm</b> 	<b>TITLE</b> M12 A-Code Male Conn. Panel Front With Wire harness Shielded			<h1 style="text-align: center;">Amphenol LTW</h1> <h2 style="text-align: center;">安費諾亮泰企業股份有限公司</h2>		<b>ITEM NO</b> MSAS-XXPMX-SF8XXX	<b>DRAWN BY</b> Allen Pan	<b>DATE</b> 2019-03-08	
	<b>TOLERANCE</b> .X ±0.25 .XX ±0.1 .XXX ±0.05 ANGLES ±1°	<b>SCALE</b> 3:2	<b>SIZE</b> A4			<b>SHEET</b> 2 OF 2	<b>CUSTOMER</b> ALTW	<b>CHECKED BY</b> Fred Lee	<b>DATE</b> 2019-03-08
	<b>REV.</b> A	<b>WC-REV.</b> A.1	Inspection item			<b>APPROVED BY</b> Fred Lee	<b>DATE</b> 2019-03-08		