



Product Change Notification - SYST-03XMJB536

Date:

05 Jul 2019

Product Category:

Memory

Affected CPNs:**Notification subject:**

Data Sheet - AT93C46D/AT93C46E Three-Wire Serial EEPROM Data Sheet

Notification text:

SYST-03XMJB536

Microchip has released a new DeviceDoc for the AT93C46D/AT93C46E Three-Wire Serial EEPROM Data Sheet of devices. If you are using one of these devices please read the document located at [AT93C46D/AT93C46E Three-Wire Serial EEPROM Data Sheet](#).

Notification Status: Final**Description of Change:**

1. Updated to the Microchip template.
2. Microchip DS20006224 replaces Atmel documents 5193 and 5207.
3. Updated Package Marking Information.
4. Removed lead finish designation.
5. Updated trace code format in package markings.
6. Updated section content throughout for clarification.
7. Updated the 8U3-1 VFBGA package drawing.
8. Updated the PDIP, SOIC, TSSOP and UDFN package drawings to Microchip format.

Impacts to Data Sheet: None**Reason for Change:** To Improve Manufacturability**Change Implementation Status:** Complete**Date Document Changes Effective:** 5 Jul 2019

NOTE: Please be advised that this is a change to the document only the product has not been changed.

Markings to Distinguish Revised from Unrevised Devices: N/A**Attachment(s):**

[AT93C46D/AT93C46E Three-Wire Serial EEPROM Data Sheet](#)

Please contact your local [Microchip sales office](#) with questions or concerns regarding this notification.

Terms and Conditions:

If you wish to receive Microchip PCNs via email please register for our PCN email service at our [PCN home page](#) select register then fill in the required fields. You will find instructions about registering for Microchips PCN email service in the [PCN FAQ](#) section.

If you wish to change your PCN profile, including opt out, please go to the [PCN home page](#) select login and sign into your myMicrochip account. Select a profile option from the left navigation bar and make the applicable selections.

Affected Catalog Part Numbers (CPN)

AT93C46D-PU
AT93C46D-PUAW
AT93C46D-SP25DX
AT93C46D-SP25DX-T-514
AT93C46D-TH-B
AT93C46D-TH-T
AT93C46D-TH-T-834
AT93C46D-THAU-B
AT93C46D-THAU-T
AT93C46D-TP25-B
AT93C46D-TP25-T
AT93C46D-TP25DY-T-514
AT93C46D-W-11
AT93C46DN-SH-B
AT93C46DN-SH-T
AT93C46DN-SH-T-537
AT93C46DN-SH-T-834
AT93C46DN-SH-T-989
AT93C46DN-SHAU-B
AT93C46DN-SHAU-T
AT93C46DN-SP25-B
AT93C46DN-SP25-T
AT93C46DU3-UU-T
AT93C46DY6-YH-E
AT93C46DY6-YH-T
AT93C46E-BPU
AT93C46E-PU
AT93C46E-TH-B
AT93C46E-TH-T
AT93C46E-THAU-B
AT93C46E-THAU-T
AT93C46EN-SH-B
AT93C46EN-SH-T
AT93C46EN-SHAU-B
AT93C46EN-SHAU-T
AT93C46EN-SHNP-B
AT93C46EN-SHNP-T



AT93C46D/AT93C46E

Three-wire Serial EEPROM 1-Kbit (128 x 8 or 64 x 16)

Features

- Low-Voltage Operation:
 - $V_{CC} = 1.8V$ to $5.5V$
- User-Selectable Internally Organized as 128 x 8 (1K) or 64 x 16 (1K)
- Non-Selectable Internal Organization as 64 x 16 (1K), AT93C46E Only
- Industrial Temperature Range: $-40^{\circ}C$ to $+85^{\circ}C$
- 2 MHz Clock Rate (5V)
- Self-Timed Write Cycle within 5 ms Maximum
- High Reliability:
 - Endurance: 1,000,000 write cycles
 - Data retention: 100 years
- Green Package Options (Lead-free/Halide-free/RoHS compliant)
- Die Sale Options: Wafer Form and Tape and Reel

Packages

- 8-lead SOIC, 8-lead TSSOP, 8-pad UDFN, 8-lead PDIP and 8-ball VFBGA

Table of Contents

Features..... 1

Packages..... 1

1. Package Types (not to scale)..... 4

2. Pin Descriptions.....5

 2.1. Chip Select (CS).....5

 2.2. Serial Data Clock (SK)..... 5

 2.3. Serial Data Input (DI).....5

 2.4. Serial Data Output (DO)..... 5

 2.5. Ground (GND)..... 6

 2.6. Internal Organization (ORG)..... 6

 2.7. Device Power Supply (V_{CC})..... 6

3. Description.....7

 3.1. Block Diagram..... 7

4. Electrical Characteristics..... 8

 4.1. Absolute Maximum Ratings.....8

 4.2. DC and AC Operating Range.....8

 4.3. DC Characteristics..... 8

 4.4. AC Characteristics.....9

 4.5. Synchronous Data Timing..... 11

 4.6. Electrical Specifications.....11

5. Device Commands and Addressing..... 13

 5.1. READ..... 13

 5.2. Erase/Write Enable (EWEN)..... 14

 5.3. Erase/Write Disable (EWDS)..... 14

 5.4. ERASE..... 15

 5.5. WRITE.....15

 5.6. Write All (WRAL)..... 16

 5.7. Erase All (ERAL)..... 16

6. Packaging Information..... 18

 6.1. Package Marking Information.....18

7. Revision History..... 30

The Microchip Website..... 32

Product Change Notification Service..... 32

Customer Support..... 32

Product Identification System..... 33

Microchip Devices Code Protection Feature..... 33

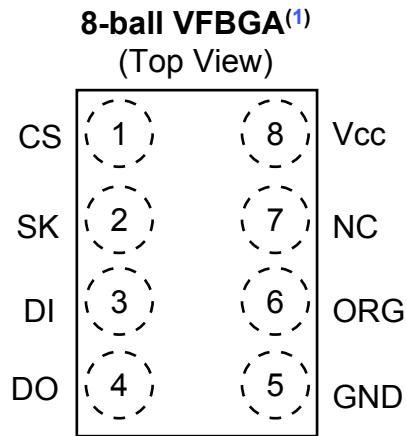
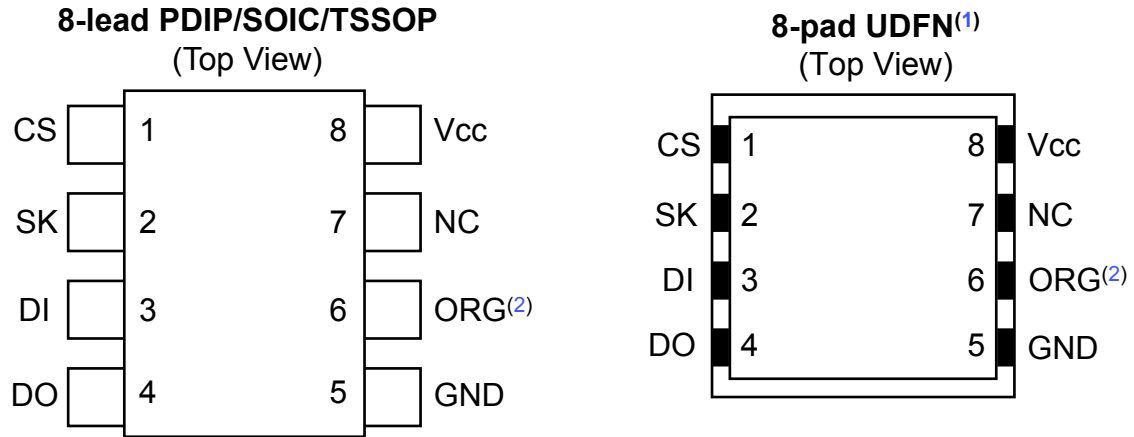
Legal Notice.....34

Trademarks..... 34

Quality Management System..... 35

Worldwide Sales and Service.....36

1. Package Types (not to scale)



Note:

1. This package is only available on the AT93C46D.
2. ORG pin is No Connect (NC) on the AT93C46E device.

2. Pin Descriptions

The descriptions of the pins are listed in [Table 2-1](#).

Table 2-1. Pin Function Table

| Name | 8-Lead PDIP | 8-Lead SOIC | 8-Lead TSSOP | 8-Pad UDFN ⁽¹⁾ | 8-Ball VFBGA | Function |
|--------------------|----------------|----------------|-----------------|------------------------------|-----------------|-----------------------|
| CS | 1 | 1 | 1 | 1 | 1 | Chip Select |
| SK | 2 | 2 | 2 | 2 | 2 | Serial Data Clock |
| DI | 3 | 3 | 3 | 3 | 3 | Serial Data Input |
| DO | 4 | 4 | 4 | 4 | 4 | Serial Data Output |
| GND | 5 | 5 | 5 | 5 | 5 | Ground |
| ORG ⁽²⁾ | 6 | 6 | 6 | 6 | 6 | Internal Organization |
| NC | 7 | 7 | 7 | 7 | 7 | No Connect |
| VCC | 8 | 8 | 8 | 8 | 8 | Device Power Supply |

Note:

1. The exposed pad on this package can be connected to GND or left floating.
2. The Internal Organization (ORG) pin is a No Connect (NC) on the AT93C46E device.

2.1 Chip Select (CS)

The Chip Select (CS) pin is used to control device selection. The AT93C46D/AT93C46E is selected when the CS pin is high. When the device is not selected, data will not be accepted via the Serial Data Input (DI) pin, and the Serial Output (DO) pin will remain in a high-impedance state.

2.2 Serial Data Clock (SK)

The Serial Data Clock (SK) pin is used to synchronize the communication between a master and the AT93C46D/AT93C46E. Instructions, addresses or data present on the Serial Data Input (DI) pin is latched in on the rising edge of SK, while output on the Serial Data Output (DO) pin is also clocked out on the rising edge of SK.

2.3 Serial Data Input (DI)

The Serial Data Input (DI) pin is used to transfer data into the device. It receives instructions, addresses and data. Data is latched on the rising edge of the Serial Data Clock (SK).

2.4 Serial Data Output (DO)

The Serial Data Output (DO) pin is used to transfer data out of the AT93C46D/AT93C46E. During a read sequence, data is shifted out on this pin after the rising edge of the Serial Data Clock (SK).

This pin also outputs the Ready/Busy status of the part if CS is brought high after being low for a minimum of t_{CS} and an erase or write operation has been initiated.

2.5 Ground (GND)

The ground reference for the power supply. The Ground (GND) pin should be connected to the system ground.

2.6 Internal Organization (ORG)

The Internal Organization (ORG) pin is used to select between the x16 or x8 memory organizations of the device. When the ORG pin is tied to V_{CC} , the x16 memory organization is selected. When the ORG pin is tied to V_{SS} , the x8 memory organization is selected.

If the ORG pin is left unconnected and the application does not load the input beyond the capability of the internal 1 M Ω pull-up resistor, then the x16 organization is selected.

Note: This pin is a No Connect (NC) on the AT93C46E.

2.7 Device Power Supply (V_{CC})

The Device Power Supply (V_{CC}) pin is used to supply the source voltage to the device. Operations at invalid V_{CC} voltages may produce spurious results and should not be attempted.

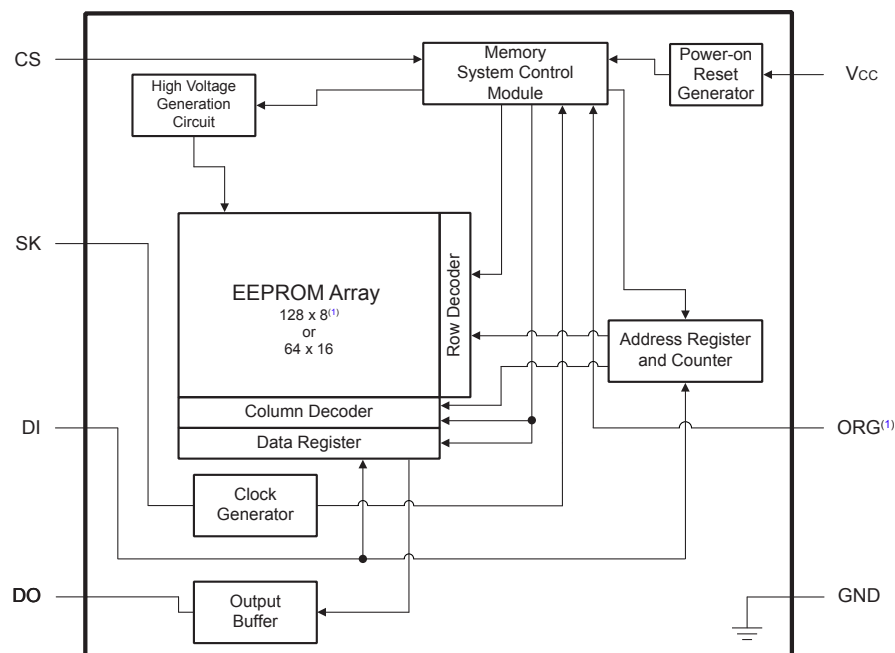
3. Description

The AT93C46D provides 1,024 bits of Serial Electrically Erasable and Programmable Read-Only Memory (EEPROM) organized as 64 words of 16 bits each (when the ORG pin is connected to V_{CC}) and 128 words of 8 bits each (when the ORG pin is tied to ground). The device is optimized for use in many industrial and commercial applications where low-power and low-voltage operations are essential. The AT93C46D is available in space-saving 8-lead SOIC, 8-lead TSSOP, 8-pad UDFN, 8-lead PDIP, and 8-ball VFBGA packages. All packages operate from 1.8V to 5.5V.

The AT93C46E provides 1,024 bits of Serial Electrically Erasable and Programmable Read-Only Memory (EEPROM) organized as 64 words of 16 bits each only. The AT93C46E does not offer the ORG pin so organization is not user-selectable on this device. The device is optimized for use in many industrial and commercial applications where low-power and low-voltage operations are essential. The AT93C46E is also available in space-saving 8-lead SOIC, 8-lead TSSOP, and 8-lead PDIP packages. All packages operate from 1.8V to 5.5V.

The AT93C46D/AT93C46E is enabled through the Chip Select (CS) pin and accessed via a three-wire serial interface consisting of Data Input (DI), Data Output (DO), and Serial Data Clock (SK). Upon receiving a READ instruction at DI, the address is decoded, and the data is clocked out serially on the DO pin. The write cycle is completely self-timed, and no separate erase cycle is required before write. The write cycle is only enabled when the part is in the Erase/Write Enable state. When CS is brought high following the initiation of a write cycle, the DO pin outputs the Ready/Busy status of the part.

3.1 Block Diagram



Note:

1. The organization of the AT93C46E is not selectable by the ORG pin and defaults to 64x16. If the x16 organization is the mode of choice and pin 6 (ORG) is left unconnected, Microchip recommends using AT93C46E device.

4. Electrical Characteristics

4.1 Absolute Maximum Ratings

| | |
|---|-----------------|
| Temperature under bias | -55°C to +125°C |
| Storage temperature | -65°C to +150°C |
| V _{CC} | 6.25V |
| Voltage on any pin with respect to ground | -1.0V to +7.0V |
| DC output current | 5.0 mA |
| ESD protection | 2 kV |

Note: Stresses above those listed under “Absolute Maximum Ratings” may cause permanent damage to the device. This is a stress rating only and functional operation of the device at these or any other conditions above those indicated in the operation listings of this specification is not implied. Exposure to absolute maximum rating conditions for extended periods may affect device reliability.

4.2 DC and AC Operating Range

Table 4-1. DC and AC Operating Range

| AT93C46D/AT93C46E | | |
|------------------------------|------------------------------|----------------|
| Operating Temperature (Case) | Industrial Temperature Range | -40°C to +85°C |
| V _{CC} Power Supply | Low-Voltage Grade | 1.8V to 5.5V |

4.3 DC Characteristics

Table 4-2. DC Characteristics⁽¹⁾

| Parameter | Symbol | Minimum | Typical | Maximum | Units | Test Conditions |
|-------------------------------|------------------|---------|---------|---------|-------|--|
| Supply Voltage | V _{CC1} | 1.8 | — | 5.5 | V | |
| Supply Voltage | V _{CC2} | 2.7 | — | 5.5 | V | |
| Supply Voltage | V _{CC3} | 4.5 | — | 5.5 | V | |
| Supply Current | I _{CC1} | — | 0.5 | 2.0 | mA | V _{CC} = 5.0V, Read at 1 MHz |
| Supply Current | I _{CC2} | — | 0.5 | 2.0 | mA | V _{CC} = 5.0V, Write at 1 MHz |
| Standby Current (1.8V Option) | ISB1 | — | 0.4 | 1.0 | μA | V _{CC} = 1.8V, CS = 0V |
| Standby Current (2.7V Option) | ISB2 | — | 6.0 | 10.0 | μA | V _{CC} = 2.7V, CS = 0V |
| Standby Current (5.0V Option) | ISB3 | — | 10.0 | 15.0 | μA | V _{CC} = 5.0V, CS = 0V |

.....continued

| Parameter | Symbol | Minimum | Typical | Maximum | Units | Test Conditions |
|------------------------|-----------|---------------------|---------|---------------------|---------------|---|
| Input Leakage Current | I_{IL} | — | 0.1 | 1.0 | μA | $V_{IN} = 0 \text{ to } V_{CC}$ |
| Output Leakage Current | I_{LO} | — | 0.1 | 1.0 | μA | $V_{IN} = 0 \text{ to } V_{CC}$ |
| Input Low-Voltage | V_{IL1} | -0.6 | — | 0.8 | V | $2.7\text{V} \leq V_{CC} \leq 5.5\text{V}$ (Note 2) |
| Input High-Voltage | V_{IH1} | 2.0 | — | $V_{CC} + 1$ | V | $2.7\text{V} \leq V_{CC} \leq 5.5\text{V}$ (Note 2) |
| Input Low-Voltage | V_{IL2} | -0.6 | — | $V_{CC} \times 0.3$ | V | $1.8\text{V} \leq V_{CC} \leq 2.7\text{V}$ (Note 2) |
| Input High-Voltage | V_{IH2} | $V_{CC} \times 0.7$ | — | $V_{CC} + 1$ | V | $1.8\text{V} \leq V_{CC} \leq 2.7\text{V}$ (Note 2) |
| Output Low-Voltage | V_{OL1} | — | — | 0.4 | V | $2.7\text{V} \leq V_{CC} \leq 5.5\text{V}$, $I_{OL} = 2.1 \text{ mA}$ |
| Output High-Voltage | V_{OH1} | 2.4 | — | — | V | $2.7\text{V} \leq V_{CC} \leq 5.5\text{V}$, $I_{OH} = -0.4 \text{ mA}$ |
| Output Low-Voltage | V_{OL2} | — | — | 0.2 | V | $1.8\text{V} \leq V_{CC} \leq 2.7\text{V}$, $I_{OL} = 0.15 \text{ mA}$ |
| Output High-Voltage | V_{OH2} | $V_{CC} - 0.2$ | — | — | V | $1.8\text{V} \leq V_{CC} \leq 2.7\text{V}$, $I_{OH} = -100 \mu\text{A}$ |

Note:

1. Applicable over recommended operating range from: $T_A = -40^\circ\text{C}$ to $+85^\circ\text{C}$, $V_{CC} = 1.8\text{V}$ to 5.5V (unless otherwise noted).
2. V_{IL} min and V_{IH} max are reference only and are not tested.

4.4 AC Characteristics

Table 4-3. AC Characteristics⁽¹⁾

| Parameter | Symbol | Minimum | Typical | Maximum | Units | Test Conditions |
|---------------------|-----------|---------|---------|---------|-------|--|
| Clock Frequency, SK | f_{SK} | 0 | — | 2 | MHz | $4.5\text{V} \leq V_{CC} \leq 5.5\text{V}$ |
| | | 0 | — | 1 | MHz | $2.7\text{V} \leq V_{CC} \leq 5.5\text{V}$ |
| | | 0 | — | 250 | kHz | $1.8\text{V} \leq V_{CC} \leq 5.5\text{V}$ |
| High Time, SK | t_{SKH} | 250 | — | — | ns | $4.5\text{V} \leq V_{CC} \leq 5.5\text{V}$ |
| | | 250 | — | — | ns | $2.7\text{V} \leq V_{CC} \leq 5.5\text{V}$ |
| | | 1000 | — | — | ns | $1.8\text{V} \leq V_{CC} \leq 5.5\text{V}$ |
| Low Time, SK | t_{SKL} | 250 | — | — | ns | $4.5\text{V} \leq V_{CC} \leq 5.5\text{V}$ |
| | | 250 | — | — | ns | $2.7\text{V} \leq V_{CC} \leq 5.5\text{V}$ |
| | | 1000 | — | — | ns | $1.8\text{V} \leq V_{CC} \leq 5.5\text{V}$ |

AT93C46D/AT93C46E

Electrical Characteristics

|continued | | | | | | |
|---------------------|-----------|---------|---------|---------|-------|--|
| Parameter | Symbol | Minimum | Typical | Maximum | Units | Test Conditions |
| Minimum CS Low Time | t_{CS} | 250 | — | — | ns | $4.5V \leq V_{CC} \leq 5.5V$ |
| | | 250 | — | — | ns | $2.7V \leq V_{CC} \leq 5.5V$ |
| | | 1000 | — | — | ns | $1.8V \leq V_{CC} \leq 5.5V$ |
| CS Setup Time | t_{CSS} | 50 | — | — | ns | $4.5V \leq V_{CC} \leq 5.5V$, Relative to SK |
| | | 50 | — | — | ns | $2.7V \leq V_{CC} \leq 5.5V$, Relative to SK |
| | | 200 | — | — | ns | $1.8V \leq V_{CC} \leq 5.5V$, Relative to SK |
| DI Setup Time | t_{DIS} | 100 | — | — | ns | $4.5V \leq V_{CC} \leq 5.5V$, Relative to SK |
| | | 100 | — | — | ns | $2.7V \leq V_{CC} \leq 5.5V$, Relative to SK |
| | | 400 | — | — | ns | $1.8V \leq V_{CC} \leq 5.5V$, Relative to SK |
| CS Hold Time | t_{CSH} | 0 | — | — | ns | Relative to SK |
| DI Hold Time | t_{DIH} | 100 | — | — | ns | $4.5V \leq V_{CC} \leq 5.5V$, Relative to SK |
| | | 100 | — | — | ns | $2.7V \leq V_{CC} \leq 5.5V$, Relative to SK |
| | | 400 | — | — | ns | $1.8V \leq V_{CC} \leq 5.5V$, Relative to SK |
| Output Delay to 1 | t_{PD1} | — | — | 250 | ns | $4.5V \leq V_{CC} \leq 5.5V$ |
| | | — | — | 250 | ns | $2.7V \leq V_{CC} \leq 5.5V$ |
| | | — | — | 1000 | ns | $1.8V \leq V_{CC} \leq 5.5V$ |
| Output Delay to 0 | t_{PD0} | — | — | 250 | ns | $4.5V \leq V_{CC} \leq 5.5V$ |
| | | — | — | 250 | ns | $2.7V \leq V_{CC} \leq 5.5V$ |
| | | — | — | 1000 | ns | $1.8V \leq V_{CC} \leq 5.5V$ |
| CS to Status Valid | t_{SV} | — | — | 250 | ns | $4.5V \leq V_{CC} \leq 5.5V$ |
| | | — | — | 250 | ns | $2.7V \leq V_{CC} \leq 5.5V$ |
| | | — | — | 1000 | ns | $1.8V \leq V_{CC} \leq 5.5V$, |

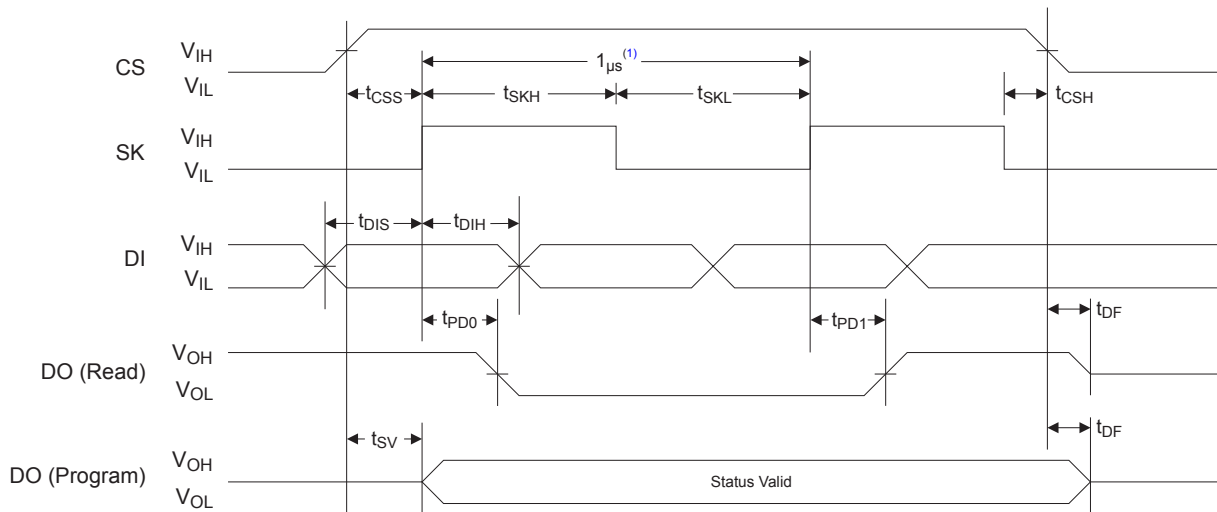
|continued | | | | | | |
|----------------------------|----------|---------|---------|---------|-------|---|
| Parameter | Symbol | Minimum | Typical | Maximum | Units | Test Conditions |
| CS to DO in High-impedance | t_{DF} | — | — | 100 | ns | $4.5V \leq V_{CC} \leq 5.5V$, CS = V_{IL} |
| | | — | — | 250 | ns | $2.7V \leq V_{CC} \leq 5.5V$, CS = V_{IL} |
| | | — | — | 400 | ns | $1.8V \leq V_{CC} \leq 5.5V$, CS = V_{IL} |
| Write Cycle Time | t_{WP} | 0.1 | 3 | 5 | ms | $1.8V \leq V_{CC} \leq 5.5V$ |

Note:

1. Applicable over recommended operating range from $T_A = -40^\circ\text{C}$ to $+85^\circ\text{C}$, $V_{CC} = \text{As Specified}$, $C_L = 1$ TTL Gate and 100 pF (unless otherwise noted).

4.5 Synchronous Data Timing

Figure 4-1. Synchronous Data Timing



Note:

1. This is the minimum SK period.

4.6 Electrical Specifications

4.6.1 Power-Up Requirements and Reset Behavior

During a power-up sequence, the V_{CC} supplied to the AT93C46D/AT93C46E should monotonically rise from GND to the minimum V_{CC} level, as specified in Table 4-1, with a slew rate no faster than $0.1 \text{ V}/\mu\text{s}$.

4.6.1.1 Device Reset

To prevent inadvertent write operations or any other spurious events from occurring during a power-up sequence, the AT93C46D/AT93C46E includes a Power-on Reset (POR) circuit. Upon power-up, the device will not respond to any commands until the V_{CC} level crosses the internal voltage threshold (V_{POR}) that brings the device out of Reset and into Standby mode.

The system designer must ensure the instructions are not sent to the device until the V_{CC} supply has reached a stable value greater than or equal to the minimum V_{CC} level. Additionally, once the V_{CC} is greater than or equal to the minimum V_{CC} level, the bus master must wait at least t_{PUP} before sending the first command to the device. See Power-up Conditions⁽¹⁾ for the values associated with these power-up parameters.

Table 4-4. Power-up Conditions⁽¹⁾

| Symbol | Parameter | Min. | Max. | Units |
|------------|--|------|------|---------|
| t_{PUP} | Time required after V_{CC} is stable before the device can accept commands | 100 | — | μ s |
| V_{POR} | Power-on Reset Threshold Voltage | — | 1.5 | V |
| t_{POFF} | Minimum time at $V_{CC} = 0V$ between power cycles | 500 | — | ms |

Note:

1. These parameters are characterized but they are not 100% tested in production.

If an event occurs in the system where the V_{CC} level supplied to the AT93C46D/AT93C46E drops below the maximum V_{POR} level specified, it is recommended that a full power cycle sequence be performed by first driving the V_{CC} pin to GND, waiting at least the minimum t_{POFF} time and then performing a new power-up sequence in compliance with the requirements defined in this section.

4.6.2 Pin Capacitance

Table 4-5. Pin Capacitance⁽¹⁾

| Symbol | Test Condition | Max. | Units | Conditions |
|-----------|-------------------------------------|------|-------|----------------|
| C_{OUT} | Output Capacitance (DO) | 5 | pF | $V_{OUT} = 0V$ |
| C_{IN} | Input Capacitance (CS, SK, DI, ORG) | 5 | pF | $V_{IN} = 0V$ |

Note:

1. This parameter is characterized but is not 100% tested in production.

4.6.3 EEPROM Cell Performance Characteristics

Table 4-6. EEPROM Cell Performance Characteristics

| Operation | Test Condition | Min. | Max. | Units |
|--------------------------------|--------------------------------------|-----------|------|--------------|
| Write Endurance ⁽¹⁾ | $T_A = 25^\circ C$, $V_{CC} = 5.0V$ | 1,000,000 | — | Write Cycles |
| Data Retention ⁽¹⁾ | $T_A = 55^\circ C$ | 100 | — | Years |

Note:

1. Performance is determined through characterization and the qualification process.

5. Device Commands and Addressing

The AT93C46D/AT93C46E is accessed via a simple and versatile three-wire serial communication interface. Device operation is controlled by seven instructions issued by the Host processor. A valid instruction starts with a rising edge of CS and consists of a Start bit (SB), followed by the appropriate opcode, and the desired memory address location.

Table 5-1. AT93C46D/AT93C46E Instruction Set

| Instruction | SB | Opcode | Address | | Data | | Comments |
|-------------|----|--------|--------------------------------|--------------------------------|--------------------------------|---------------------------------|--|
| | | | X8 ⁽¹⁾ | X16 ⁽¹⁾ | X8 | X16 | |
| READ | 1 | 10 | A ₆ -A ₀ | A ₅ -A ₀ | | | Reads data stored in memory at specified address. |
| EWEN | 1 | 00 | 11XXXXXXXX | 11XXXXXXXX | | | Write Enable must precede all programming modes. |
| ERASE | 1 | 11 | A ₆ -A ₀ | A ₅ -A ₀ | | | Erases memory location A _N -A ₀ . |
| WRITE | 1 | 01 | A ₆ -A ₀ | A ₅ -A ₀ | D ₇ -D ₀ | D ₁₅ -D ₀ | Writes memory location A _N -A ₀ . |
| ERAL | 1 | 00 | 10XXXXXXXX | 10XXXXXXXX | | | Erases all memory locations. Valid only at VCC3. See Table 4-2 . |
| WRAL | 1 | 00 | 01XXXXXXXX | 01XXXXXXXX | D ₇ -D ₀ | D ₁₅ -D ₀ | Writes all memory locations. Valid only at VCC3. See Table 4-2 . |
| EWDS | 1 | 00 | 00XXXXXXXX | 00XXXXXXXX | | | Disables all programming instructions. |

Note:

- The 'x' in the address field represent a "don't care" bit, and must be sent to the device.

Table 5-2. Organization Key for Timing Diagrams

| I/O | AT93C46D/AT93C46E (1K) | |
|----------------|------------------------|-----------------|
| | X8 ⁽¹⁾ | X16 |
| A _N | A ₆ | A ₅ |
| D _N | D ₇ | D ₁₅ |

Note:

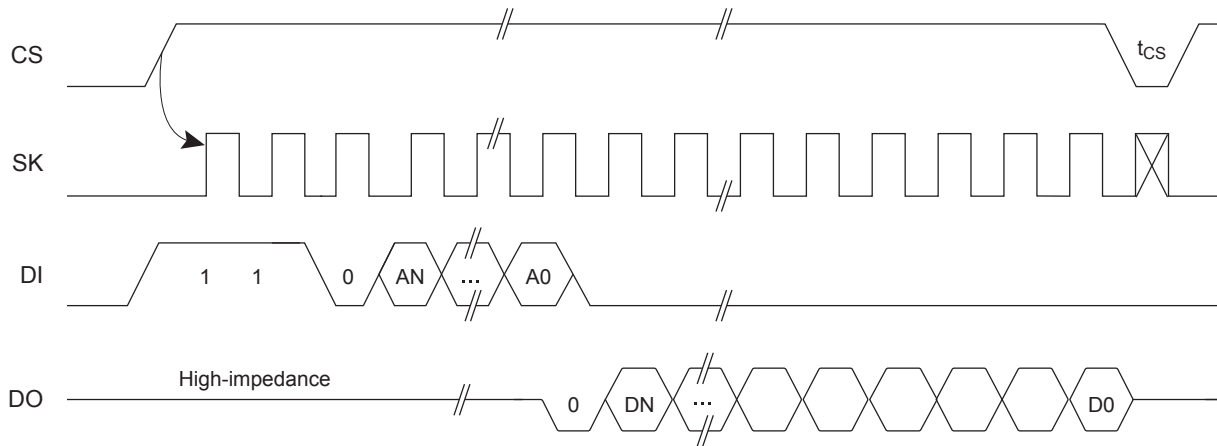
- The internal organization of the AT93C46E is x16 only.

5.1 READ

The READ instruction contains the address code for the memory location to be read. After the instruction and address are decoded, data from the selected memory location is available at the DO pin. Output data changes are synchronized with the rising edges of the SK pin.

Note: A dummy bit (logic '0') precedes the 8-bit or 16-bit data output string.

Figure 5-1. READ Timing

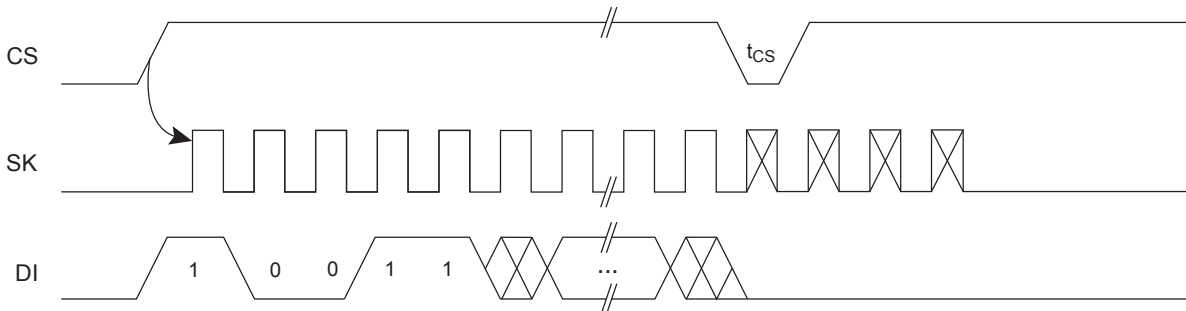


5.2 Erase/Write Enable (EWEN)

To ensure data integrity, the part automatically goes into the Erase/Write Disable (EWDS) state when power is first applied. An Erase/Write Enable (EWEN) instruction must be executed first before any programming instructions can be carried out.

Note: Once in the write enabled state, programming remains enabled until an EWDS instruction is executed, or V_{CC} power is removed from the part.

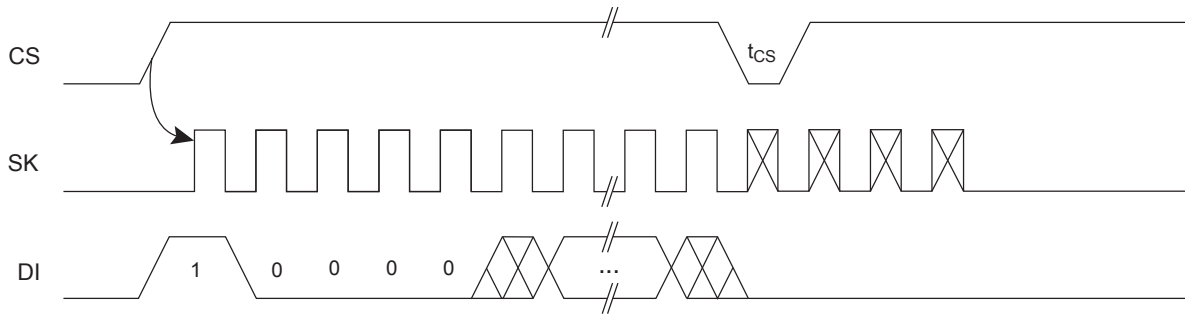
Figure 5-2. EWEN Timing



5.3 Erase/Write Disable (EWDS)

To protect against accidental data disturbance, the Erase/Write Disable (EWDS) instruction disables all programming modes and should be executed after all programming operations. The operation of the READ instruction is independent of both the EWEN and EWDS instructions and can be executed at any time.

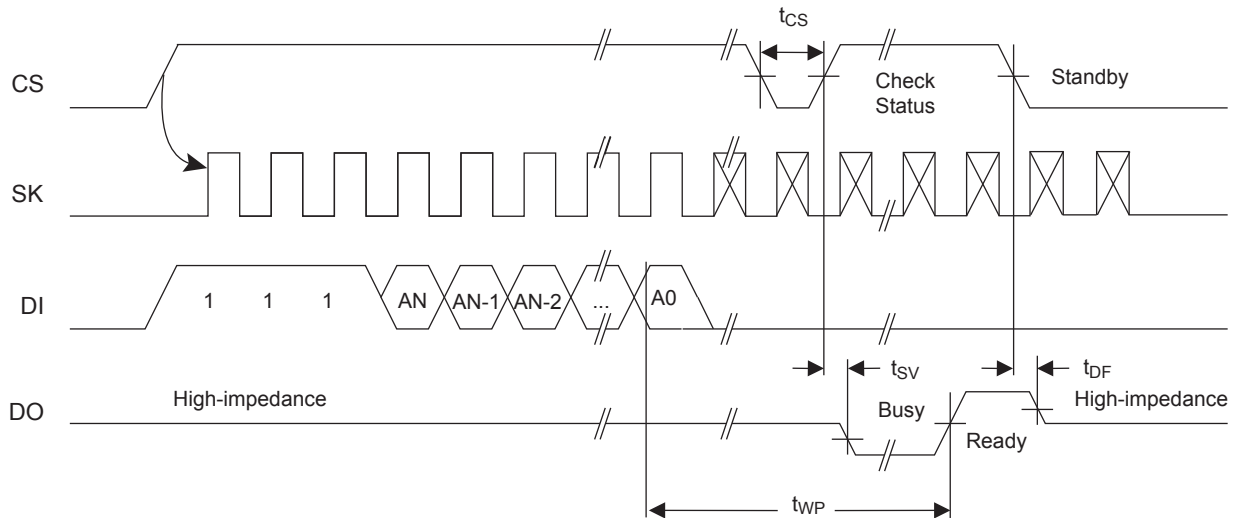
Figure 5-3. EWDS Timing



5.4 ERASE

The `ERASE` instruction programs all bits in the specified memory location to the logic '1' state. The self-timed erase cycle starts once the `ERASE` instruction and address are decoded. The DO pin outputs the Ready/Busy status of the part if CS is brought high after being kept low for a minimum of t_{CS} . A logic '1' at the DO pin indicates that the selected memory location has been erased, and the part is ready for another instruction.

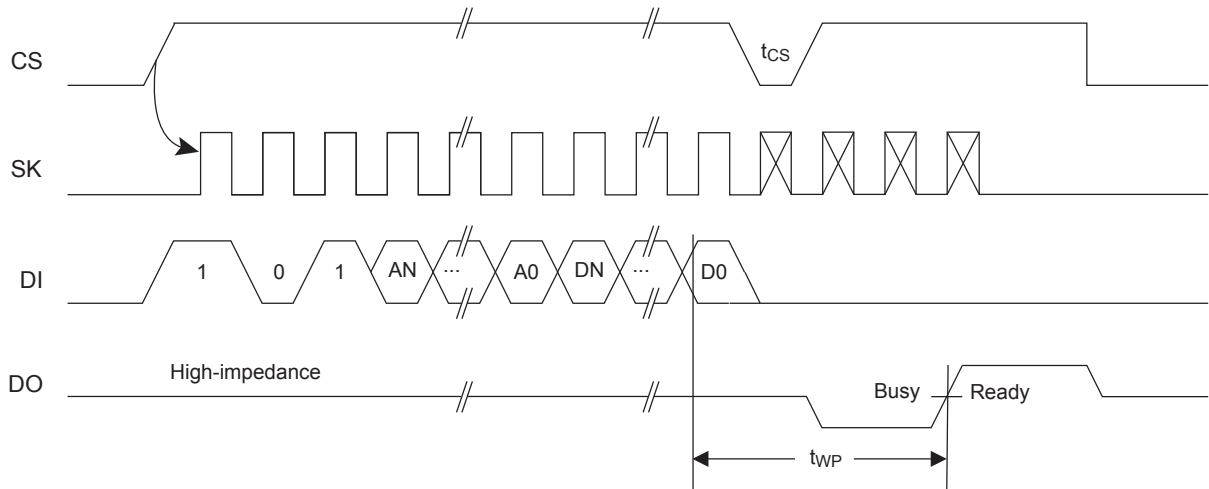
Figure 5-4. ERASE Timing



5.5 WRITE

The `WRITE` instruction contains the 8 bits or 16 bits of data to be written into the specified memory location. The self-timed programming cycle, t_{WP} , starts after the last bit of data is received at DI pin. The DO pin outputs the Ready/Busy status of the part if CS is brought high after being kept low for a minimum of t_{CS} . A logic '0' at DO indicates that programming is still in progress. A logic '1' indicates that the memory location at the specified address has been written with the data pattern contained in the instruction, and the part is ready for further instructions. A Ready/Busy status cannot be obtained if CS is brought high after the end of the self-timed programming cycle, t_{WP} .

Figure 5-5. WRITE Timing

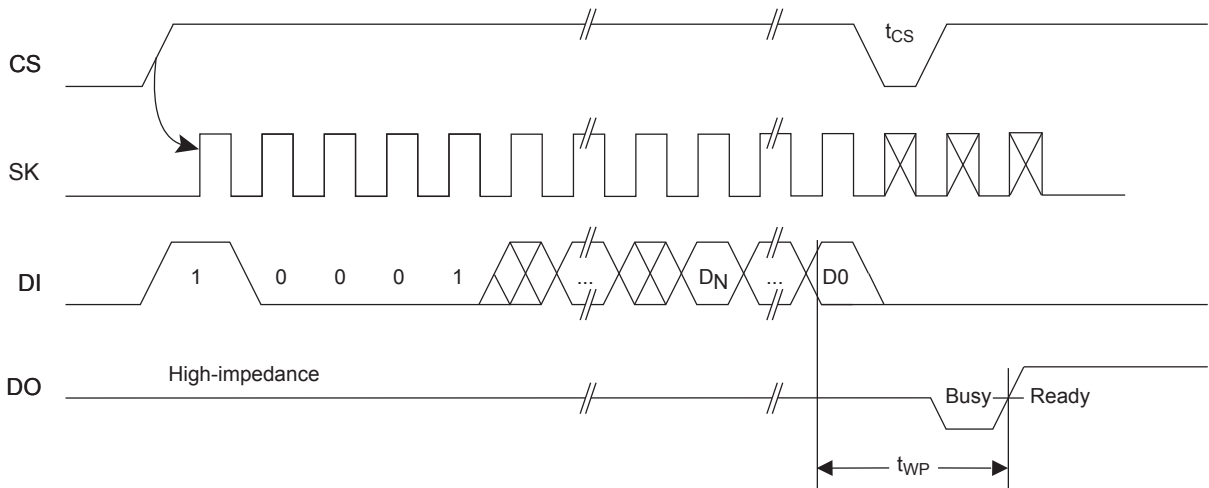


5.6 Write All (WRAL)

The Write All ($WRAL$) instruction programs all memory locations with the data patterns specified in the instruction. The DO pin outputs the Ready/Busy status of the part if CS is brought high after being kept low for a minimum of t_{CS} .

Note: The $WRAL$ instruction is valid only at V_{CC3} (see [Table 4-2](#)).

Figure 5-6. WRAL Timing

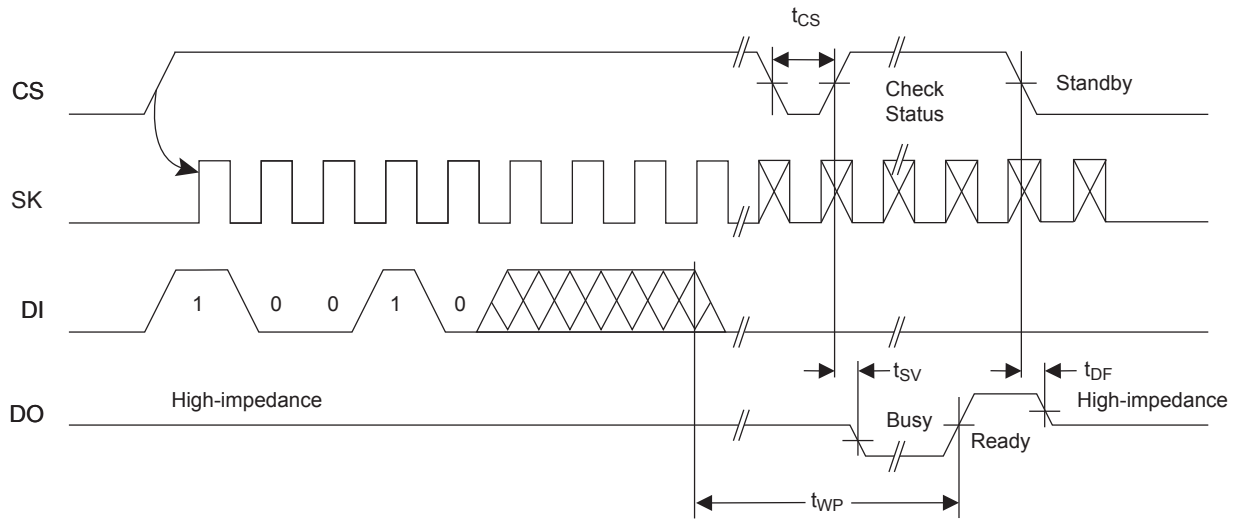


5.7 Erase All (ERAL)

The Erase All ($ERAL$) instruction programs every bit in the memory array to the logic '1' state and is primarily used for testing purposes. The DO pin outputs the Ready/Busy status of the part if CS is brought high after being kept low for a minimum of t_{CS} .

Note: The $ERAL$ instruction is valid only at V_{CC3} (see [Table 4-2](#)).

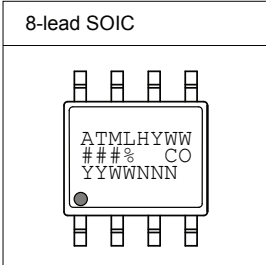
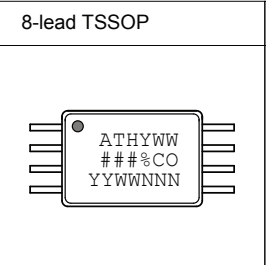
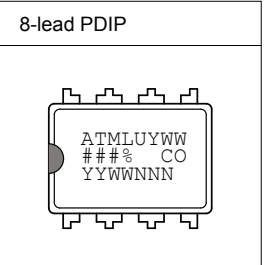
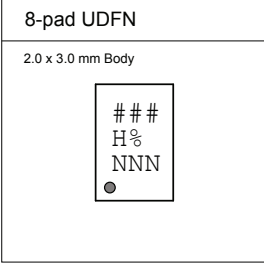
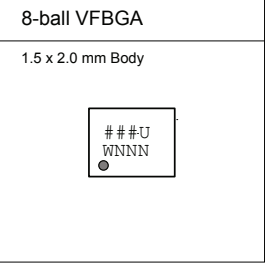
Figure 5-7. ERAL Timing



6. Packaging Information

6.1 Package Marking Information

AT93C46D and AT93C46E: Package Marking Information

| | | |
|--|---|---|
| 8-lead SOIC | 8-lead TSSOP | 8-lead PDIP |
|  |  |  |
| 8-pad UDFN 2.0 x 3.0 mm Body | | 8-ball VFBGA 1.5 x 2.0 mm Body |
|  | |  |

Note 1: ● designates pin 1
 Note 2: Package drawings are not to scale

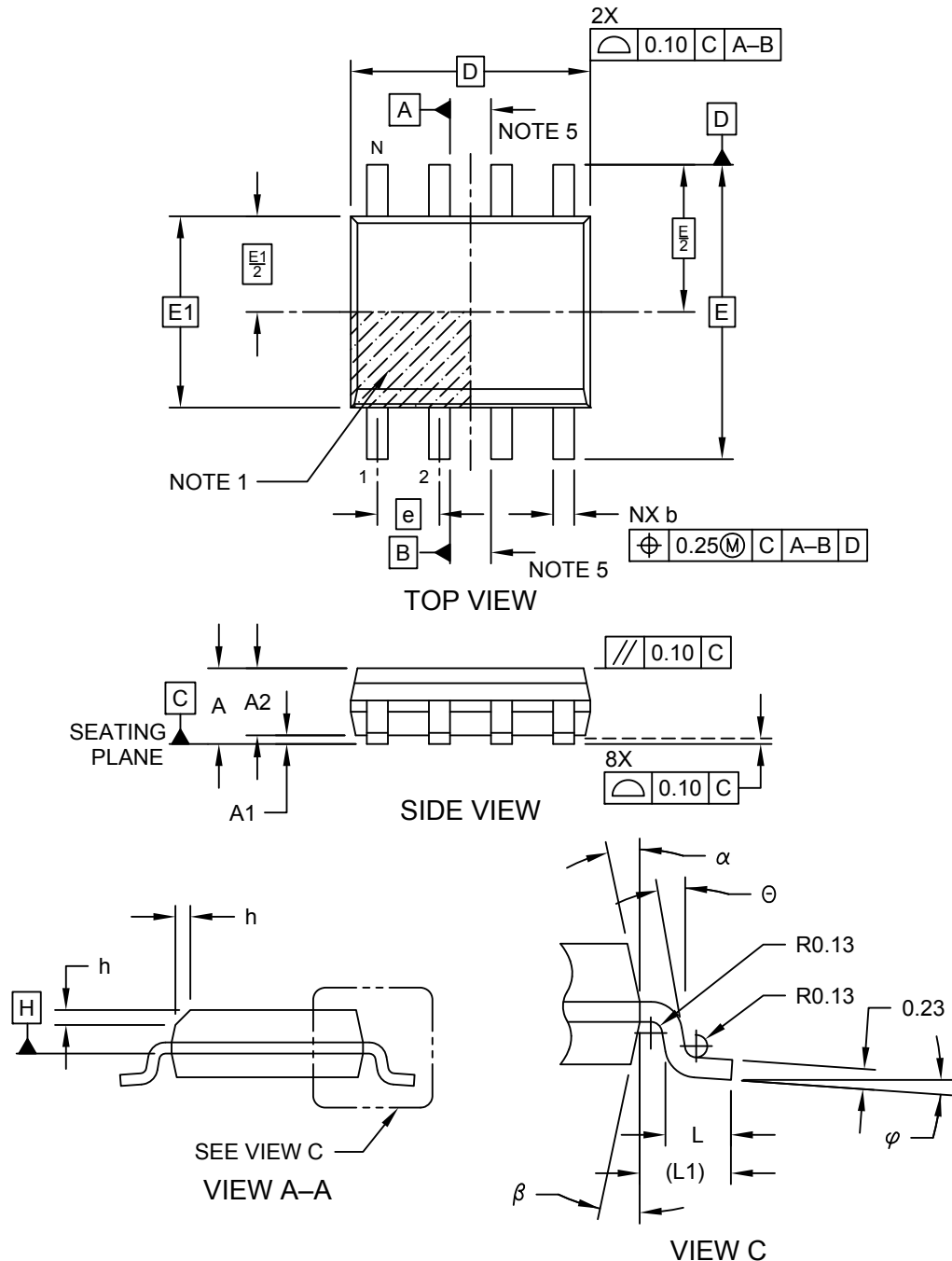
| | | | |
|---|--------------------------|----------------------------|---------------------|
| Catalog Number Truncation | | | |
| AT93C46D | Truncation Code ###: 46D | | |
| AT93C46E | Truncation Code ###: 46E | | |
| Date Codes | | | Voltages |
| YY = Year | Y = Year | WW = Work Week of Assembly | % = Minimum Voltage |
| 16: 2016 20: 2020 | 6: 2016 0: 2020 | 02: Week 2 | L: 1.8V min |
| 17: 2017 21: 2021 | 7: 2017 1: 2021 | 04: Week 4 | |
| 18: 2018 22: 2022 | 8: 2018 2: 2022 | ... | |
| 19: 2019 23: 2023 | 9: 2019 3: 2023 | 52: Week 52 | |
| Country of Origin | | Device Grade | |
| CO = Country of Origin | | H or U: Industrial Grade | |
| Atmel Truncation | | | |
| AT: Atmel | | | |
| ATM: Atmel | | | |
| ATML: Atmel | | | |
| Lot Number or Trace Code | | | |
| NNN = Alphanumeric Trace Code (2 Characters for Small Packages) | | | |

AT93C46D/AT93C46E

Packaging Information

8-Lead Plastic Small Outline (SN) - Narrow, 3.90 mm (.150 In.) Body [SOIC]

Note: For the most current package drawings, please see the Microchip Packaging Specification located at <http://www.microchip.com/packaging>



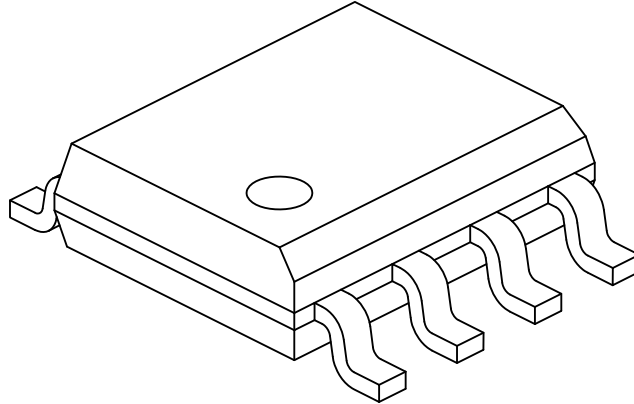
Microchip Technology Drawing No. C04-057-SN Rev E Sheet 1 of 2

AT93C46D/AT93C46E

Packaging Information

8-Lead Plastic Small Outline (SN) - Narrow, 3.90 mm (.150 In.) Body [SOIC]

Note: For the most current package drawings, please see the Microchip Packaging Specification located at <http://www.microchip.com/packaging>



| Dimension Limits | Units | MILLIMETERS | | |
|--------------------------|-------|-------------|-----|------|
| | | MIN | NOM | MAX |
| Number of Pins | N | 8 | | |
| Pitch | e | 1.27 BSC | | |
| Overall Height | A | - | - | 1.75 |
| Molded Package Thickness | A2 | 1.25 | - | - |
| Standoff § | A1 | 0.10 | - | 0.25 |
| Overall Width | E | 6.00 BSC | | |
| Molded Package Width | E1 | 3.90 BSC | | |
| Overall Length | D | 4.90 BSC | | |
| Chamfer (Optional) | h | 0.25 | - | 0.50 |
| Foot Length | L | 0.40 | - | 1.27 |
| Footprint | L1 | 1.04 REF | | |
| Foot Angle | φ | 0° | - | 8° |
| Lead Thickness | c | 0.17 | - | 0.25 |
| Lead Width | b | 0.31 | - | 0.51 |
| Mold Draft Angle Top | α | 5° | - | 15° |
| Mold Draft Angle Bottom | β | 5° | - | 15° |

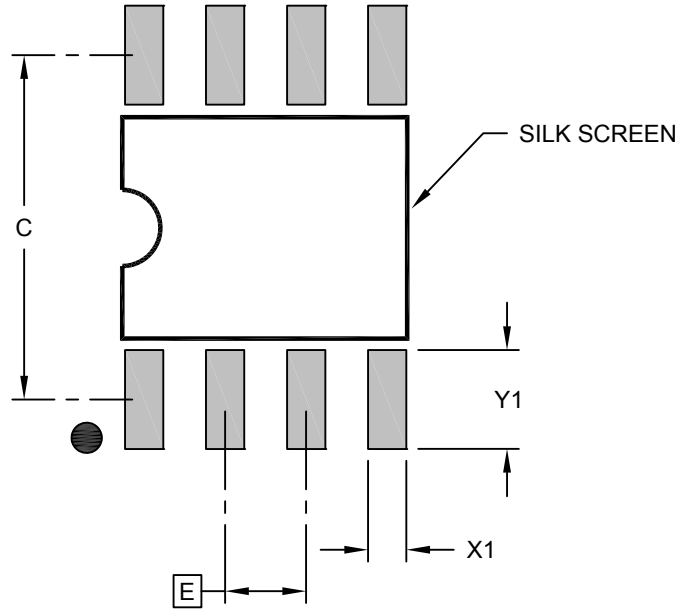
Notes:

- Pin 1 visual index feature may vary, but must be located within the hatched area.
- § Significant Characteristic
- Dimensions D and E1 do not include mold flash or protrusions. Mold flash or protrusions shall not exceed 0.15mm per side.
- Dimensioning and tolerancing per ASME Y14.5M
BSC: Basic Dimension. Theoretically exact value shown without tolerances.
REF: Reference Dimension, usually without tolerance, for information purposes only.
- Datums A & B to be determined at Datum H.

Microchip Technology Drawing No. C04-057-SN Rev E Sheet 2 of 2

8-Lead Plastic Small Outline (SN) - Narrow, 3.90 mm Body [SOIC]

Note: For the most current package drawings, please see the Microchip Packaging Specification located at <http://www.microchip.com/packaging>



RECOMMENDED LAND PATTERN

| Units | | MILLIMETERS | | |
|-------------------------|--------|-------------|------|------|
| Dimension | Limits | MIN | NOM | MAX |
| Contact Pitch | E | 1.27 BSC | | |
| Contact Pad Spacing | C | | 5.40 | |
| Contact Pad Width (X8) | X1 | | | 0.60 |
| Contact Pad Length (X8) | Y1 | | | 1.55 |

Notes:

1. Dimensioning and tolerancing per ASME Y14.5M
 BSC: Basic Dimension. Theoretically exact value shown without tolerances.

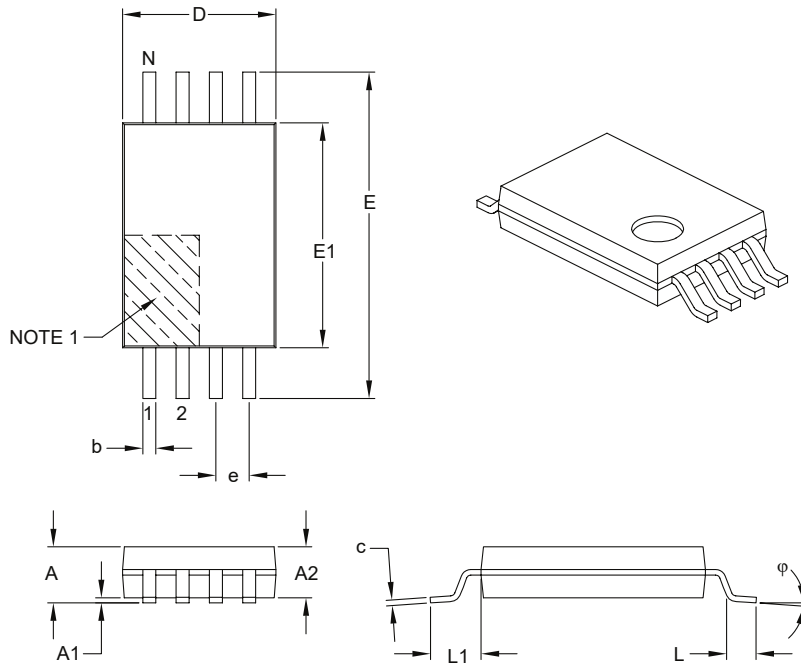
Microchip Technology Drawing C04-2057-SN Rev E

AT93C46D/AT93C46E

Packaging Information

8-Lead Plastic Thin Shrink Small Outline (ST) – 4.4 mm Body [TSSOP]

Note: For the most current package drawings, please see the Microchip Packaging Specification located at <http://www.microchip.com/packaging>



| Dimension Limits | Units | MILLIMETERS | | |
|--------------------------|--------|-------------|------|------|
| | | MIN | NOM | MAX |
| Number of Pins | N | 8 | | |
| Pitch | e | 0.65 BSC | | |
| Overall Height | A | – | – | 1.20 |
| Molded Package Thickness | A2 | 0.80 | 1.00 | 1.05 |
| Standoff | A1 | 0.05 | – | 0.15 |
| Overall Width | E | 6.40 BSC | | |
| Molded Package Width | E1 | 4.30 | 4.40 | 4.50 |
| Molded Package Length | D | 2.90 | 3.00 | 3.10 |
| Foot Length | L | 0.45 | 0.60 | 0.75 |
| Footprint | L1 | 1.00 REF | | |
| Foot Angle | ϕ | 0° | – | 8° |
| Lead Thickness | c | 0.09 | – | 0.20 |
| Lead Width | b | 0.19 | – | 0.30 |

Notes:

- Pin 1 visual index feature may vary, but must be located within the hatched area.
- Dimensions D and E1 do not include mold flash or protrusions. Mold flash or protrusions shall not exceed 0.15 mm per side.
- Dimensioning and tolerancing per ASME Y14.5M.

BSC: Basic Dimension. Theoretically exact value shown without tolerances.

REF: Reference Dimension, usually without tolerance, for information purposes only.

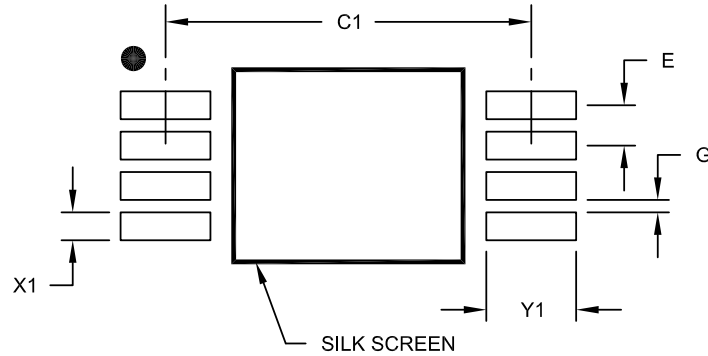
Microchip Technology Drawing C04-086B

AT93C46D/AT93C46E

Packaging Information

8-Lead Plastic Thin Shrink Small Outline (ST) - 4.4 mm Body [TSSOP]

Note: For the most current package drawings, please see the Microchip Packaging Specification located at <http://www.microchip.com/packaging>



RECOMMENDED LAND PATTERN

| Dimension Limits | Units | MILLIMETERS | | |
|-------------------------|-------|-------------|------|------|
| | | MIN | NOM | MAX |
| Contact Pitch | E | 0.65 BSC | | |
| Contact Pad Spacing | C1 | | 5.90 | |
| Contact Pad Width (X8) | X1 | | | 0.45 |
| Contact Pad Length (X8) | Y1 | | | 1.45 |
| Distance Between Pads | G | 0.20 | | |

Notes:

1. Dimensioning and tolerancing per ASME Y14.5M

BSC; Basic Dimension. Theoretically exact value shown without tolerances.

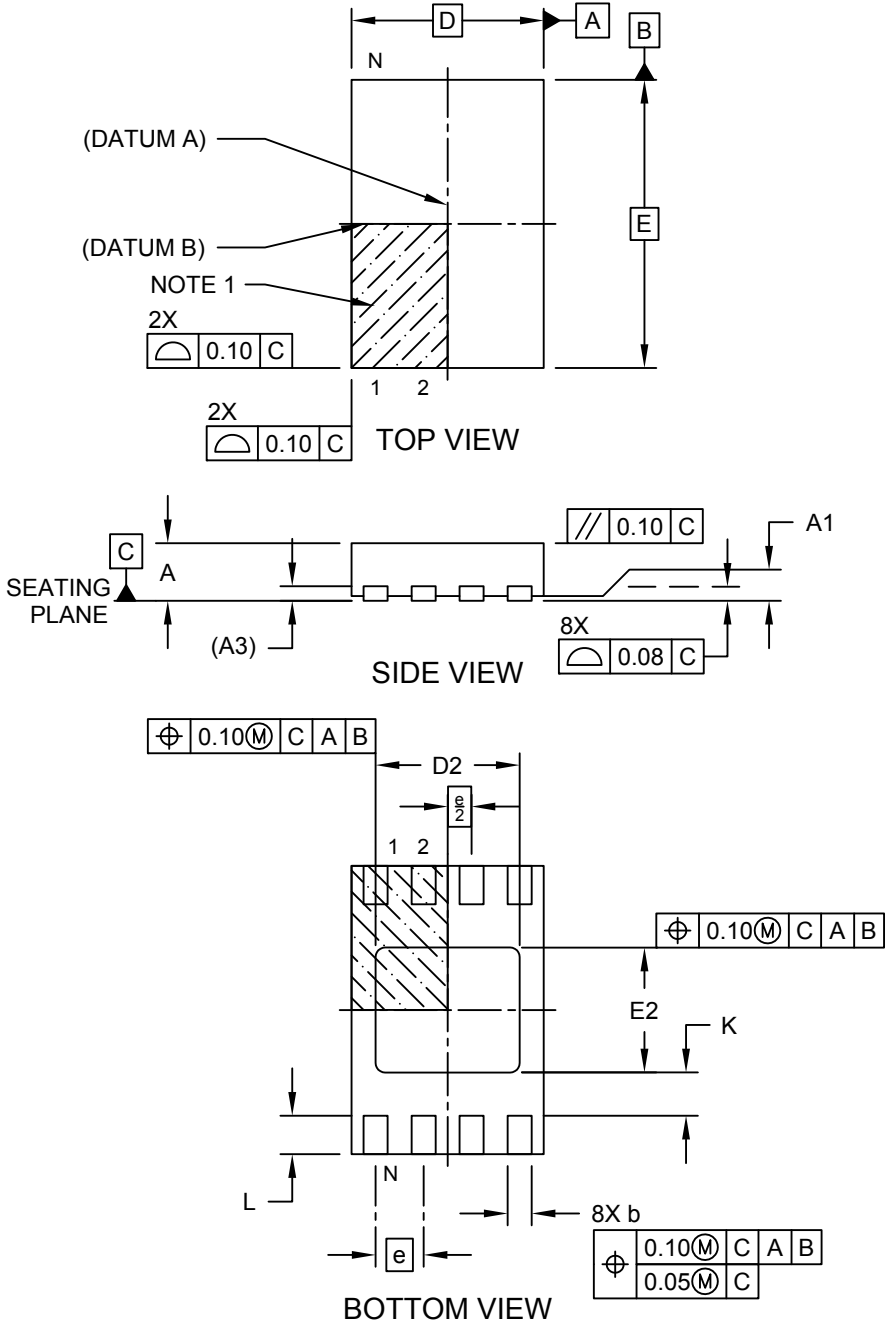
Microchip Technology Drawing No. C04-2086A

AT93C46D/AT93C46E

Packaging Information

8-Lead Ultra Thin Plastic Dual Flat, No Lead Package (Q4B) - 2x3 mm Body [UDFN] Atmel Legacy YNZ Package

Note: For the most current package drawings, please see the Microchip Packaging Specification located at <http://www.microchip.com/packaging>



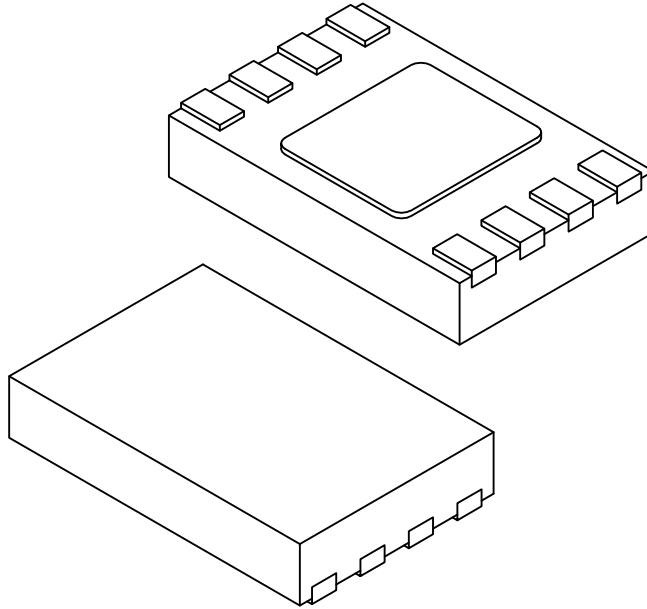
Microchip Technology Drawing C04-21355-Q4B Rev A Sheet 1 of 2

AT93C46D/AT93C46E

Packaging Information

8-Lead Ultra Thin Plastic Dual Flat, No Lead Package (Q4B) - 2x3 mm Body [UDFN] Atmel Legacy YNZ Package

Note: For the most current package drawings, please see the Microchip Packaging Specification located at <http://www.microchip.com/packaging>



| Dimension Limits | Units | MILLIMETERS | | |
|-------------------------|-------|-------------|------|------|
| | | MIN | NOM | MAX |
| Number of Terminals | N | 8 | | |
| Pitch | e | 0.50 BSC | | |
| Overall Height | A | 0.50 | 0.55 | 0.60 |
| Standoff | A1 | 0.00 | 0.02 | 0.05 |
| Terminal Thickness | A3 | 0.152 REF | | |
| Overall Length | D | 2.00 BSC | | |
| Exposed Pad Length | D2 | 1.40 | 1.50 | 1.60 |
| Overall Width | E | 3.00 BSC | | |
| Exposed Pad Width | E2 | 1.20 | 1.30 | 1.40 |
| Terminal Width | b | 0.18 | 0.25 | 0.30 |
| Terminal Length | L | 0.35 | 0.40 | 0.45 |
| Terminal-to-Exposed-Pad | K | 0.20 | - | - |

Notes:

1. Pin 1 visual index feature may vary, but must be located within the hatched area.
2. Package is saw singulated
3. Dimensioning and tolerancing per ASME Y14.5M

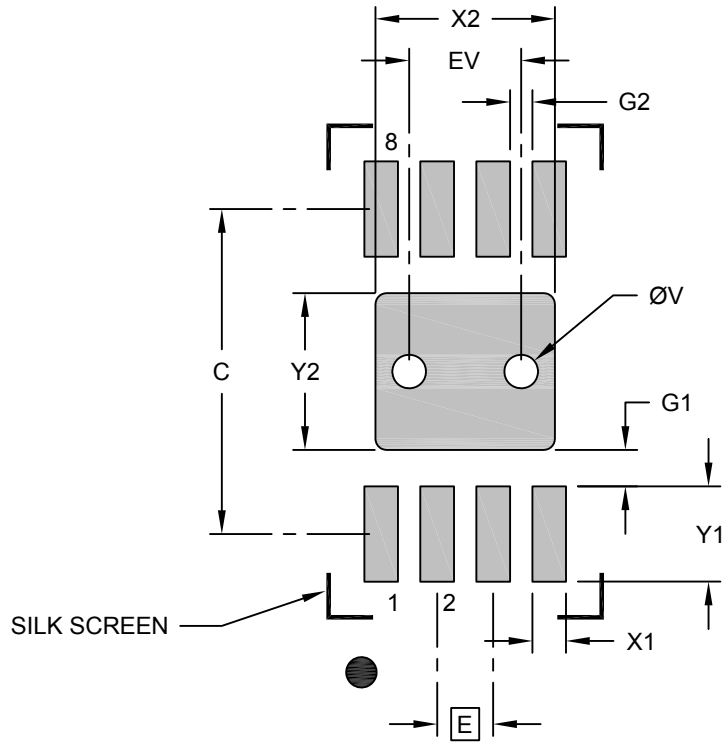
BSC: Basic Dimension. Theoretically exact value shown without tolerances.

REF: Reference Dimension, usually without tolerance, for information purposes only.

Microchip Technology Drawing C04-21355-Q4B Rev A Sheet 2 of 2

**8-Lead Ultra Thin Plastic Dual Flat, No Lead Package (Q4B) - 2x3 mm Body [UDFN]
 Atmel Legacy YNZ Package**

Note: For the most current package drawings, please see the Microchip Packaging Specification located at <http://www.microchip.com/packaging>



RECOMMENDED LAND PATTERN

| Dimension Limits | Units | MILLIMETERS | | |
|---------------------------------|-------|-------------|------|------|
| | | MIN | NOM | MAX |
| Contact Pitch | E | 0.50 BSC | | |
| Optional Center Pad Width | X2 | | | 1.60 |
| Optional Center Pad Length | Y2 | | | 1.40 |
| Contact Pad Spacing | C | | 2.90 | |
| Contact Pad Width (X8) | X1 | | | 0.30 |
| Contact Pad Length (X8) | Y1 | | | 0.85 |
| Contact Pad to Center Pad (X8) | G1 | 0.20 | | |
| Contact Pad to Contact Pad (X6) | G2 | 0.33 | | |
| Thermal Via Diameter | V | | 0.30 | |
| Thermal Via Pitch | EV | | 1.00 | |

Notes:

1. Dimensioning and tolerancing per ASME Y14.5M
 BSC: Basic Dimension. Theoretically exact value shown without tolerances.
2. For best soldering results, thermal vias, if used, should be filled or tented to avoid solder loss during reflow process

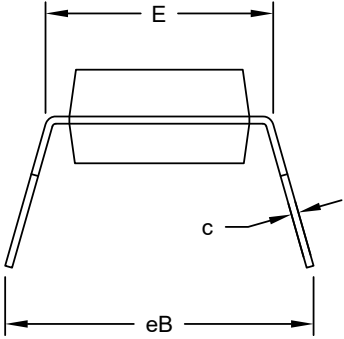
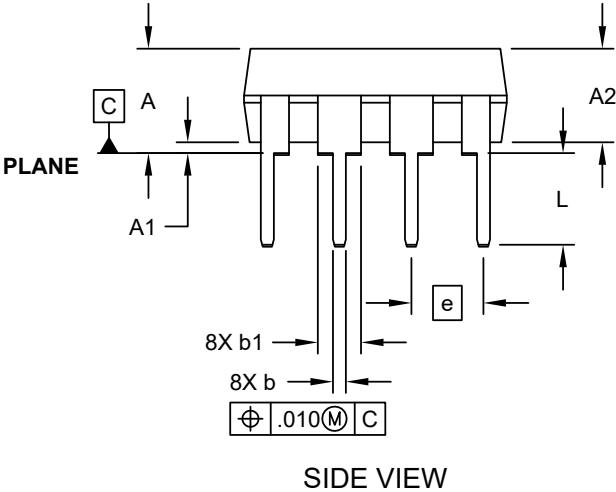
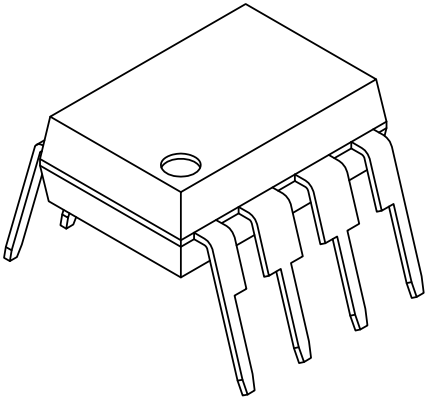
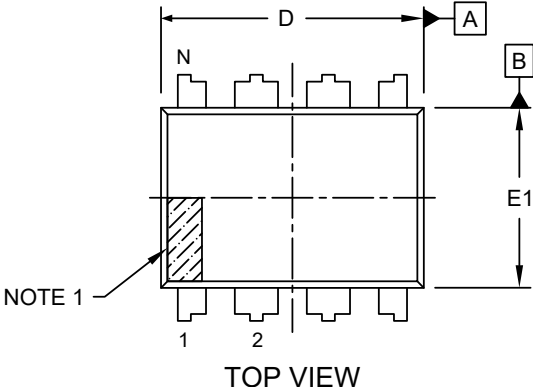
Microchip Technology Drawing C04-21355-Q4B Rev A

AT93C46D/AT93C46E

Packaging Information

8-Lead Plastic Dual In-Line (P) - 300 mil Body [PDIP]

Note: For the most current package drawings, please see the Microchip Packaging Specification located at <http://www.microchip.com/packaging>



Microchip Technology Drawing No. C04-018D Sheet 1 of 2

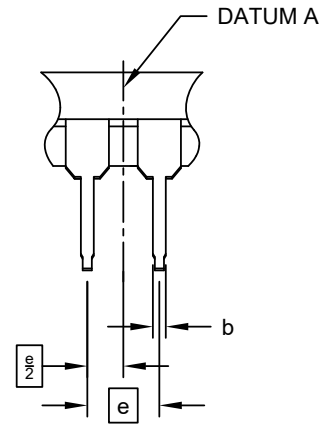
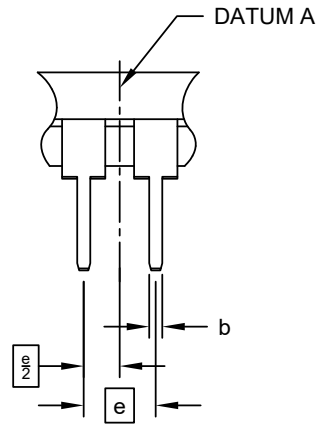
AT93C46D/AT93C46E

Packaging Information

8-Lead Plastic Dual In-Line (P) - 300 mil Body [PDIP]

Note: For the most current package drawings, please see the Microchip Packaging Specification located at <http://www.microchip.com/packaging>

ALTERNATE LEAD DESIGN
(VENDOR DEPENDENT)



| | | Units | INCHES | | |
|----------------------------|----|-------|----------|------|------|
| Dimension Limits | | | MIN | NOM | MAX |
| Number of Pins | N | | 8 | | |
| Pitch | e | | .100 BSC | | |
| Top to Seating Plane | A | - | - | .210 | |
| Molded Package Thickness | A2 | .115 | .130 | .195 | |
| Base to Seating Plane | A1 | .015 | - | - | |
| Shoulder to Shoulder Width | E | .290 | .310 | .325 | |
| Molded Package Width | E1 | .240 | .250 | .280 | |
| Overall Length | D | .348 | .365 | .400 | |
| Tip to Seating Plane | L | .115 | .130 | .150 | |
| Lead Thickness | c | .008 | .010 | .015 | |
| Upper Lead Width | b1 | .040 | .060 | .070 | |
| Lower Lead Width | b | .014 | .018 | .022 | |
| Overall Row Spacing | § | eB | - | - | .430 |

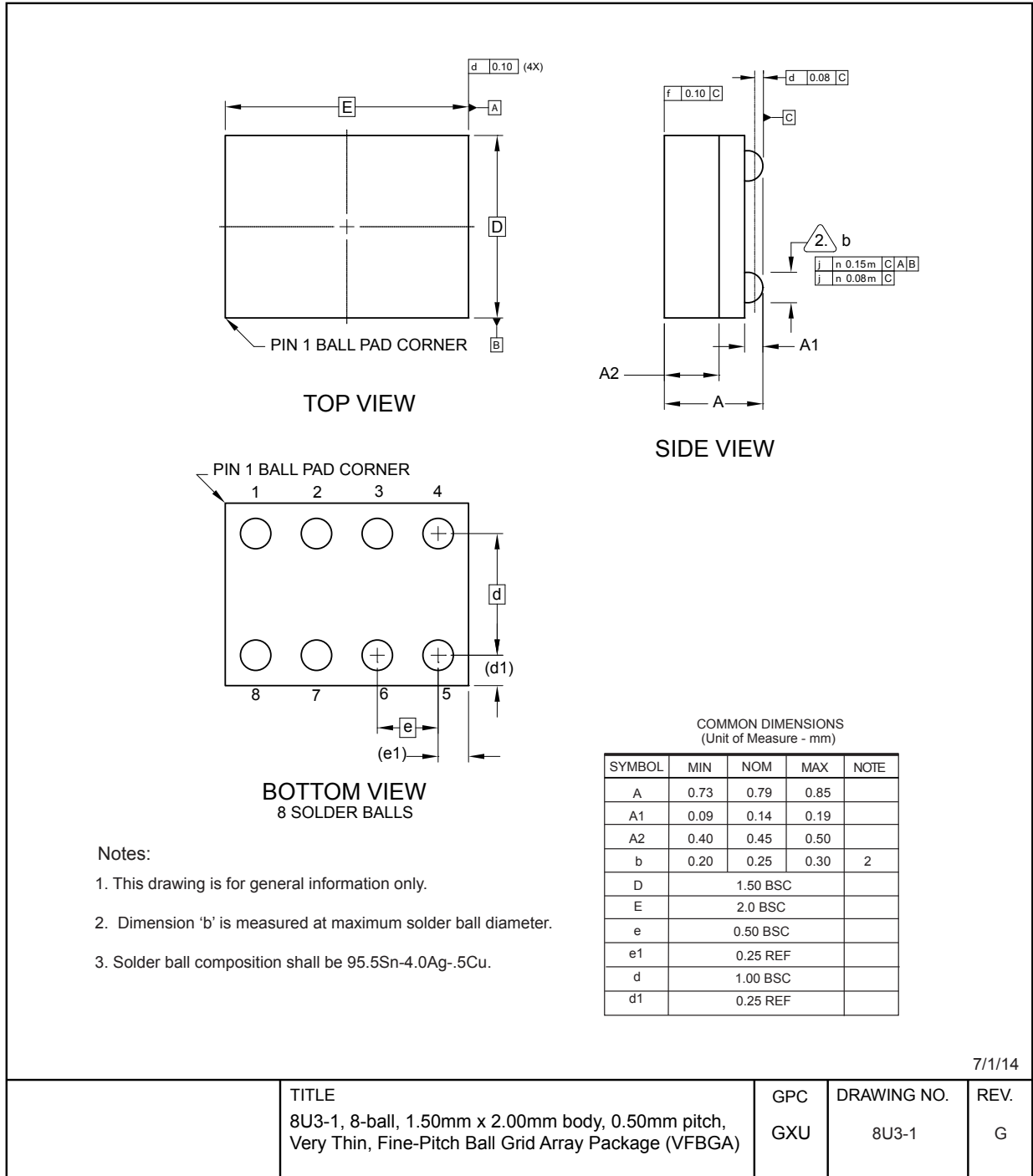
Notes:

1. Pin 1 visual index feature may vary, but must be located within the hatched area.
2. § Significant Characteristic
3. Dimensions D and E1 do not include mold flash or protrusions. Mold flash or protrusions shall not exceed .010" per side.
4. Dimensioning and tolerancing per ASME Y14.5M
BSC: Basic Dimension. Theoretically exact value shown without tolerances.

Microchip Technology Drawing No. C04-018D Sheet 2 of 2

AT93C46D/AT93C46E

Packaging Information



7/1/14

Note: For the most current package drawings, please see the Microchip Packaging Specification located at <http://www.microchip.com/packaging>.

7. Revision History

Revision A (July 2019)

Updated to the Microchip template. Microchip DS20006224 replaces Atmel documents 5193 and 5207. Updated Package Marking Information. Removed lead finish designation. Updated trace code format in package markings. Updated section content throughout for clarification. Updated the 8U3-1 VFBGA package drawing. Updated the PDIP, SOIC, TSSOP and UDFN package drawings to Microchip format.

Atmel AT93C46E 5207 Revision F (January 2015)

Updated ordering information section.

Atmel AT93C46D 5193 Revision H (January 2015)

Added the UDFN expanded quantity option and the ordering information section. Updated the 8MA2 and 8P3 package drawings.

Atmel AT93C46E 5207 Revision E (October 2014)

Added the part markings and ordering code detail. Updated the package outline drawings and the 8A2 to 8X. Updated the template, Atmel logos, and the disclaimer page.

Atmel AT93C46D 5193 Revision G (August 2014)

Updated package drawings, template, logos, and disclaimer page.

Atmel AT93C46E 5207 Revision D (January 2008)

Removed the 'preliminary' status.

Atmel AT93C46D 5193 Revision F (January 2008)

Removed the 'preliminary' status.

Atmel AT93C46E 5207 Revision C (November 2007)

Modified the 'max' value in AC Characteristics table.

Atmel AT93C46D 5193 Revision E (November 2007)

Modified the 'max' value in AC Characteristics table.

Atmel AT93C46E 5207 Revision B (August 2007)

Modified Part Marking Schemes.

Atmel AT93C46D 5193 Revision D (August 2007)

Moved Pinout figure. Added new feature for Die Sales. Modified Ordering Information table layout. Modified Park Marking Schemes.

Atmel AT93C46D 5193 Revision C (June 2007)

Updated to new template. Added Product Markup Scheme. Added Technical email contact. Corrected Figures 4 and 5.

Atmel AT93C46D 5193 Revision B (February 2007)

Added 'Ultra Thin' description to 8-lead Mini-MAP package.

Atmel AT93C46E 5207 Revision A (January 2007)

Initial document release.

Atmel AT93C46D 5193 Revision A (January 2007)

Initial document release.

The Microchip Website

Microchip provides online support via our website at <http://www.microchip.com/>. This website is used to make files and information easily available to customers. Some of the content available includes:

- **Product Support** – Data sheets and errata, application notes and sample programs, design resources, user's guides and hardware support documents, latest software releases and archived software
- **General Technical Support** – Frequently Asked Questions (FAQs), technical support requests, online discussion groups, Microchip design partner program member listing
- **Business of Microchip** – Product selector and ordering guides, latest Microchip press releases, listing of seminars and events, listings of Microchip sales offices, distributors and factory representatives

Product Change Notification Service

Microchip's product change notification service helps keep customers current on Microchip products. Subscribers will receive email notification whenever there are changes, updates, revisions or errata related to a specified product family or development tool of interest.

To register, go to <http://www.microchip.com/pcn> and follow the registration instructions.

Customer Support

Users of Microchip products can receive assistance through several channels:

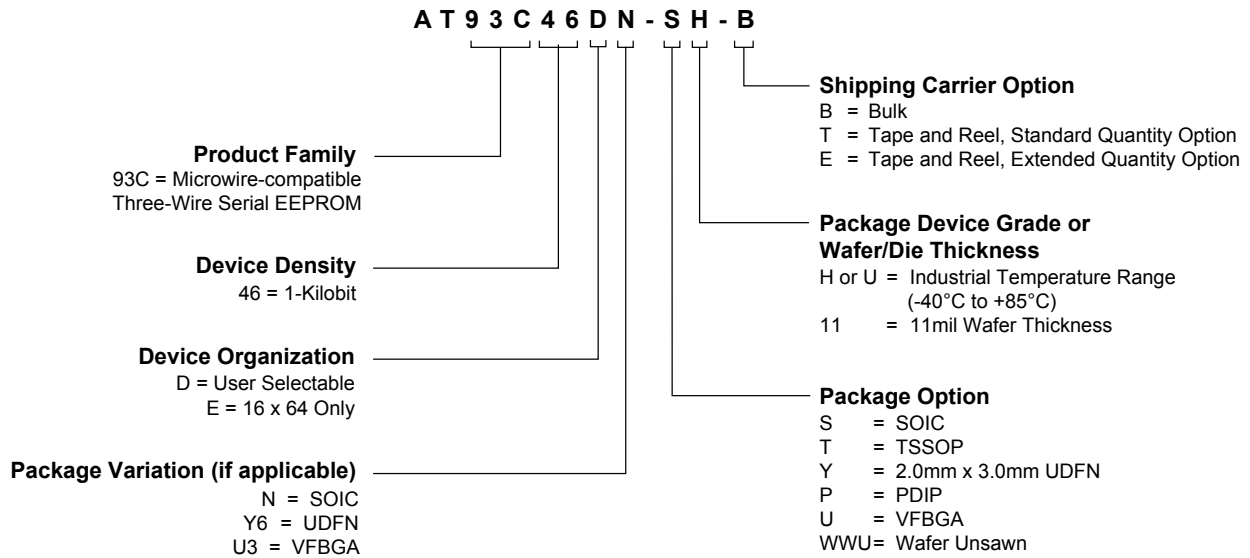
- Distributor or Representative
- Local Sales Office
- Embedded Solutions Engineer (ESE)
- Technical Support

Customers should contact their distributor, representative or ESE for support. Local sales offices are also available to help customers. A listing of sales offices and locations is included in this document.

Technical support is available through the web site at: <http://www.microchip.com/support>

Product Identification System

To order or obtain information, e.g., on pricing or delivery, refer to the factory or the listed sales office.



Examples

| Device | Package | Package Drawing Code | Package Option | Organization | Shipping Carrier Option | Device Grade |
|-----------------|---------|----------------------|----------------|-----------------|---------------------------------|---|
| AT93C46DN-SH-B | SOIC | SN | S | User Selectable | Bulk (Tubes) | Industrial Temperature (-40°C to 85°C) |
| AT93C46EN-SH-T | SOIC | SN | S | 16 X 64 | Tape and Reel | |
| AT93C46E-TH-B | TSSOP | ST | T | 16 X 64 | Bulk (Tubes) | |
| AT93C46D-TH-T | TSSOP | ST | T | User Selectable | Tape and Reel | |
| AT93C46DY6-YH-T | UDFN | Q4B | Y | User Selectable | Tape and Reel | |
| AT93C46DY6-YH-E | UDFN | Q4B | Y | User Selectable | Extended Qty., Tape and Reel | |
| AT93C46E-PU | PDIP | P | P | 16 X 64 | Bulk (Tubes) | |
| AT93C46DU3-UU-T | VFBGA | 8U3-1 | U | User Selectable | Tape and Reel | |

Microchip Devices Code Protection Feature

Note the following details of the code protection feature on Microchip devices:

- Microchip products meet the specification contained in their particular Microchip Data Sheet.
- Microchip believes that its family of products is one of the most secure families of its kind on the market today, when used in the intended manner and under normal conditions.
- There are dishonest and possibly illegal methods used to breach the code protection feature. All of these methods, to our knowledge, require using the Microchip products in a manner outside the operating specifications contained in Microchip's Data Sheets. Most likely, the person doing so is engaged in theft of intellectual property.

- Microchip is willing to work with the customer who is concerned about the integrity of their code.
- Neither Microchip nor any other semiconductor manufacturer can guarantee the security of their code. Code protection does not mean that we are guaranteeing the product as “unbreakable.”

Code protection is constantly evolving. We at Microchip are committed to continuously improving the code protection features of our products. Attempts to break Microchip’s code protection feature may be a violation of the Digital Millennium Copyright Act. If such acts allow unauthorized access to your software or other copyrighted work, you may have a right to sue for relief under that Act.

Legal Notice

Information contained in this publication regarding device applications and the like is provided only for your convenience and may be superseded by updates. It is your responsibility to ensure that your application meets with your specifications. MICROCHIP MAKES NO REPRESENTATIONS OR WARRANTIES OF ANY KIND WHETHER EXPRESS OR IMPLIED, WRITTEN OR ORAL, STATUTORY OR OTHERWISE, RELATED TO THE INFORMATION, INCLUDING BUT NOT LIMITED TO ITS CONDITION, QUALITY, PERFORMANCE, MERCHANTABILITY OR FITNESS FOR PURPOSE. Microchip disclaims all liability arising from this information and its use. Use of Microchip devices in life support and/or safety applications is entirely at the buyer’s risk, and the buyer agrees to defend, indemnify and hold harmless Microchip from any and all damages, claims, suits, or expenses resulting from such use. No licenses are conveyed, implicitly or otherwise, under any Microchip intellectual property rights unless otherwise stated.

Trademarks

The Microchip name and logo, the Microchip logo, Adaptec, AnyRate, AVR, AVR logo, AVR Freaks, BesTime, BitCloud, chipKIT, chipKIT logo, CryptoMemory, CryptoRF, dsPIC, FlashFlex, flexPWR, HELDO, IGLOO, JukeBlox, KeeLoq, Klear, LANCheck, LinkMD, maXStylus, maXTouch, MediaLB, megaAVR, Microsemi, Microsemi logo, MOST, MOST logo, MPLAB, OptoLyzer, PackeTime, PIC, picoPower, PICSTART, PIC32 logo, PolarFire, Prochip Designer, QTouch, SAM-BA, SenGenuity, SpyNIC, SST, SST Logo, SuperFlash, Symmetricom, SyncServer, Tachyon, TempTrackr, TimeSource, tinyAVR, UNI/O, Vectron, and XMEGA are registered trademarks of Microchip Technology Incorporated in the U.S.A. and other countries.

APT, ClockWorks, The Embedded Control Solutions Company, EtherSynch, FlashTec, Hyper Speed Control, HyperLight Load, IntelliMOS, Libero, motorBench, mTouch, Powermite 3, Precision Edge, ProASIC, ProASIC Plus, ProASIC Plus logo, Quiet-Wire, SmartFusion, SyncWorld, Temux, TimeCesium, TimeHub, TimePictra, TimeProvider, Vite, WinPath, and ZL are registered trademarks of Microchip Technology Incorporated in the U.S.A.

Adjacent Key Suppression, AKS, Analog-for-the-Digital Age, Any Capacitor, AnyIn, AnyOut, BlueSky, BodyCom, CodeGuard, CryptoAuthentication, CryptoAutomotive, CryptoCompanion, CryptoController, dsPICDEM, dsPICDEM.net, Dynamic Average Matching, DAM, ECAN, EtherGREEN, In-Circuit Serial Programming, ICSP, INICnet, Inter-Chip Connectivity, JitterBlocker, KlearNet, KlearNet logo, memBrain, Mindi, MiWi, MPASM, MPF, MPLAB Certified logo, MPLIB, MPLINK, MultiTRAK, NetDetach, Omniscient Code Generation, PICDEM, PICDEM.net, PICKit, PICtail, PowerSmart, PureSilicon, QMatrix, REAL ICE, Ripple Blocker, SAM-ICE, Serial Quad I/O, SMART-I.S., SQI, SuperSwitcher, SuperSwitcher II, Total Endurance, TSHARC, USBCheck, VariSense, ViewSpan, WiperLock, Wireless DNA, and ZENA are trademarks of Microchip Technology Incorporated in the U.S.A. and other countries.

SQTP is a service mark of Microchip Technology Incorporated in the U.S.A.

The Adaptec logo, Frequency on Demand, Silicon Storage Technology, and Symmcom are registered trademarks of Microchip Technology Inc. in other countries.

GestIC is a registered trademark of Microchip Technology Germany II GmbH & Co. KG, a subsidiary of Microchip Technology Inc., in other countries.

All other trademarks mentioned herein are property of their respective companies.

© 2019, Microchip Technology Incorporated, Printed in the U.S.A., All Rights Reserved.

ISBN: 978-1-5224-4748-1

AMBA, Arm, Arm7, Arm7TDMI, Arm9, Arm11, Artisan, big.LITTLE, Cordio, CoreLink, CoreSight, Cortex, DesignStart, DynamIQ, Jazelle, Keil, Mali, Mbed, Mbed Enabled, NEON, POP, RealView, SecurCore, Socrates, Thumb, TrustZone, ULINK, ULINK2, ULINK-ME, ULINK-PLUS, ULINKpro, μ Vision, Versatile are trademarks or registered trademarks of Arm Limited (or its subsidiaries) in the US and/or elsewhere.

Quality Management System

For information regarding Microchip's Quality Management Systems, please visit <http://www.microchip.com/quality>.

Worldwide Sales and Service

| AMERICAS | ASIA/PACIFIC | ASIA/PACIFIC | EUROPE |
|---|---|--|--|
| <p>Corporate Office 2355 West Chandler Blvd. Chandler, AZ 85224-6199 Tel: 480-792-7200 Fax: 480-792-7277 Technical Support: http://www.microchip.com/support Web Address: http://www.microchip.com</p> <p>Atlanta Duluth, GA Tel: 678-957-9614 Fax: 678-957-1455</p> <p>Austin, TX Tel: 512-257-3370</p> <p>Boston Westborough, MA Tel: 774-760-0087 Fax: 774-760-0088</p> <p>Chicago Itasca, IL Tel: 630-285-0071 Fax: 630-285-0075</p> <p>Dallas Addison, TX Tel: 972-818-7423 Fax: 972-818-2924</p> <p>Detroit Novi, MI Tel: 248-848-4000</p> <p>Houston, TX Tel: 281-894-5983</p> <p>Indianapolis Noblesville, IN Tel: 317-773-8323 Fax: 317-773-5453 Tel: 317-536-2380</p> <p>Los Angeles Mission Viejo, CA Tel: 949-462-9523 Fax: 949-462-9608 Tel: 951-273-7800</p> <p>Raleigh, NC Tel: 919-844-7510</p> <p>New York, NY Tel: 631-435-6000</p> <p>San Jose, CA Tel: 408-735-9110 Tel: 408-436-4270</p> <p>Canada - Toronto Tel: 905-695-1980 Fax: 905-695-2078</p> | <p>Australia - Sydney Tel: 61-2-9868-6733</p> <p>China - Beijing Tel: 86-10-8569-7000</p> <p>China - Chengdu Tel: 86-28-8665-5511</p> <p>China - Chongqing Tel: 86-23-8980-9588</p> <p>China - Dongguan Tel: 86-769-8702-9880</p> <p>China - Guangzhou Tel: 86-20-8755-8029</p> <p>China - Hangzhou Tel: 86-571-8792-8115</p> <p>China - Hong Kong SAR Tel: 852-2943-5100</p> <p>China - Nanjing Tel: 86-25-8473-2460</p> <p>China - Qingdao Tel: 86-532-8502-7355</p> <p>China - Shanghai Tel: 86-21-3326-8000</p> <p>China - Shenyang Tel: 86-24-2334-2829</p> <p>China - Shenzhen Tel: 86-755-8864-2200</p> <p>China - Suzhou Tel: 86-186-6233-1526</p> <p>China - Wuhan Tel: 86-27-5980-5300</p> <p>China - Xian Tel: 86-29-8833-7252</p> <p>China - Xiamen Tel: 86-592-2388138</p> <p>China - Zhuhai Tel: 86-756-3210040</p> | <p>India - Bangalore Tel: 91-80-3090-4444</p> <p>India - New Delhi Tel: 91-11-4160-8631</p> <p>India - Pune Tel: 91-20-4121-0141</p> <p>Japan - Osaka Tel: 81-6-6152-7160</p> <p>Japan - Tokyo Tel: 81-3-6880-3770</p> <p>Korea - Daegu Tel: 82-53-744-4301</p> <p>Korea - Seoul Tel: 82-2-554-7200</p> <p>Malaysia - Kuala Lumpur Tel: 60-3-7651-7906</p> <p>Malaysia - Penang Tel: 60-4-227-8870</p> <p>Philippines - Manila Tel: 63-2-634-9065</p> <p>Singapore Tel: 65-6334-8870</p> <p>Taiwan - Hsin Chu Tel: 886-3-577-8366</p> <p>Taiwan - Kaohsiung Tel: 886-7-213-7830</p> <p>Taiwan - Taipei Tel: 886-2-2508-8600</p> <p>Thailand - Bangkok Tel: 66-2-694-1351</p> <p>Vietnam - Ho Chi Minh Tel: 84-28-5448-2100</p> | <p>Austria - Wels Tel: 43-7242-2244-39 Fax: 43-7242-2244-393</p> <p>Denmark - Copenhagen Tel: 45-4450-2828 Fax: 45-4485-2829</p> <p>Finland - Espoo Tel: 358-9-4520-820</p> <p>France - Paris Tel: 33-1-69-53-63-20 Fax: 33-1-69-30-90-79</p> <p>Germany - Garching Tel: 49-8931-9700</p> <p>Germany - Haan Tel: 49-2129-3766400</p> <p>Germany - Heilbronn Tel: 49-7131-72400</p> <p>Germany - Karlsruhe Tel: 49-721-625370</p> <p>Germany - Munich Tel: 49-89-627-144-0 Fax: 49-89-627-144-44</p> <p>Germany - Rosenheim Tel: 49-8031-354-560</p> <p>Israel - Ra'anana Tel: 972-9-744-7705</p> <p>Italy - Milan Tel: 39-0331-742611 Fax: 39-0331-466781</p> <p>Italy - Padova Tel: 39-049-7625286</p> <p>Netherlands - Druenen Tel: 31-416-690399 Fax: 31-416-690340</p> <p>Norway - Trondheim Tel: 47-72884388</p> <p>Poland - Warsaw Tel: 48-22-3325737</p> <p>Romania - Bucharest Tel: 40-21-407-87-50</p> <p>Spain - Madrid Tel: 34-91-708-08-90 Fax: 34-91-708-08-91</p> <p>Sweden - Gothenberg Tel: 46-31-704-60-40</p> <p>Sweden - Stockholm Tel: 46-8-5090-4654</p> <p>UK - Wokingham Tel: 44-118-921-5800 Fax: 44-118-921-5820</p> |