



Life Energy Motion

## Information Note

Beijing, 24<sup>th</sup> August 2022

**IN-059\_2021\_1-OMTB2126501**

**New copy injection molds**

**CAS-NP, CASR-NP and CKSR-NP series**

**Date codes (see page 2)**

Based on the JEDEC Standard JESD46 standard (latest release)

Not for publication unless permission is granted by LEM

Dear valued customer,

To answer to continuous market requirement for improved performances, and in a permanent effort to improve the quality of its products, LEM intends to proceed to some modification on **CAS-NP, CASR-NP and CKSR-NP series**.

**Concerned products:**

**CAS 6-NP; CAS 15-NP/SP1; CAS 50-NP; CAS 15-NP; CAS 25-NP/SP1; CAS 25-NP;**

**CASR 15-NP; CASR 15-NP/SP1; CASR 15-NP/SP3; CASR 15-NP/SP6;**

**CASR 25-NP; CASR 25-NP/SP1; CASR 25-NP/SP3; CASR 25-NP/SP6;**

**CASR 50-NP; CASR 50-NP/SP1; CASR 50-NP/SP3; CASR 50-NP/SP6;**

**CASR 6-NP; CASR 6-NP/SP1; CASR 6-NP/SP3; CASR 6-NP/SP5; CASR 6-NP/SP6;**

**CKSR 15-NP;**

**CKSR 25-NP; CKSR 25-NP/SP3;**

**CKSR 50-NP; CKSR 50-NP/SP1;**

**CKSR 6-NP;**

**CKSR 75-NP;**



we confirm you that LEM is now producing the models listed on previous page and according to the change explained hereafter and from the following date codes:

- **for fluxgate: date code 722025 (25<sup>th</sup> January 2022)**
- **for lower and upper coil: date code 722208 (27<sup>th</sup> July 2022)**

Explanation on the date code (example with date code 722025):

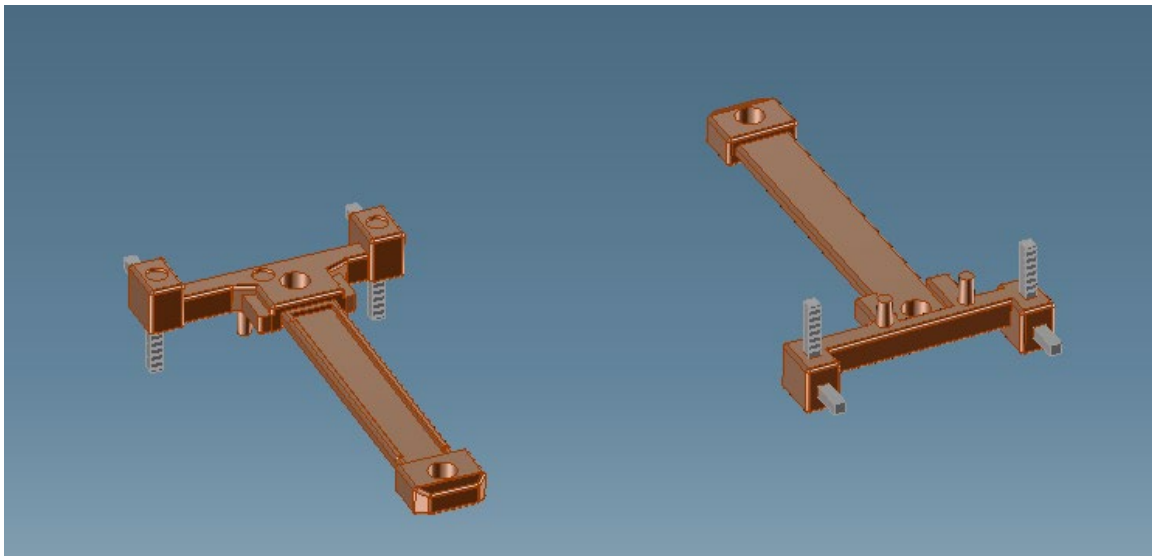
- “7” means the production center, here LEM Electronics (China) Co., Ltd.
- “22” means the year of the production, here the year 2022
- “025” means the day of the production, here the 025<sup>th</sup> day of the year 2022 (25<sup>th</sup> January 2022)

## **Change:**

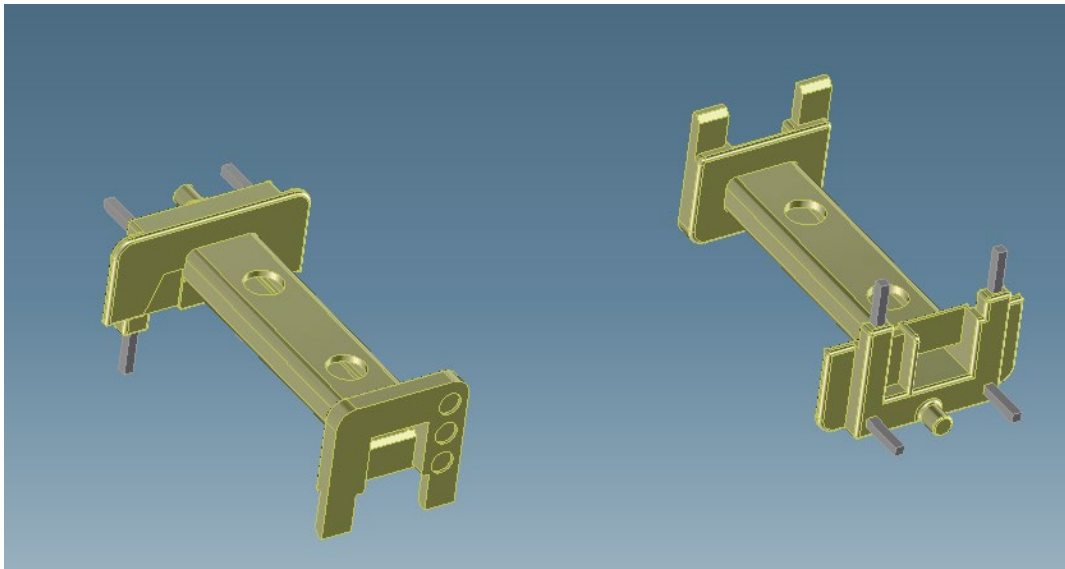
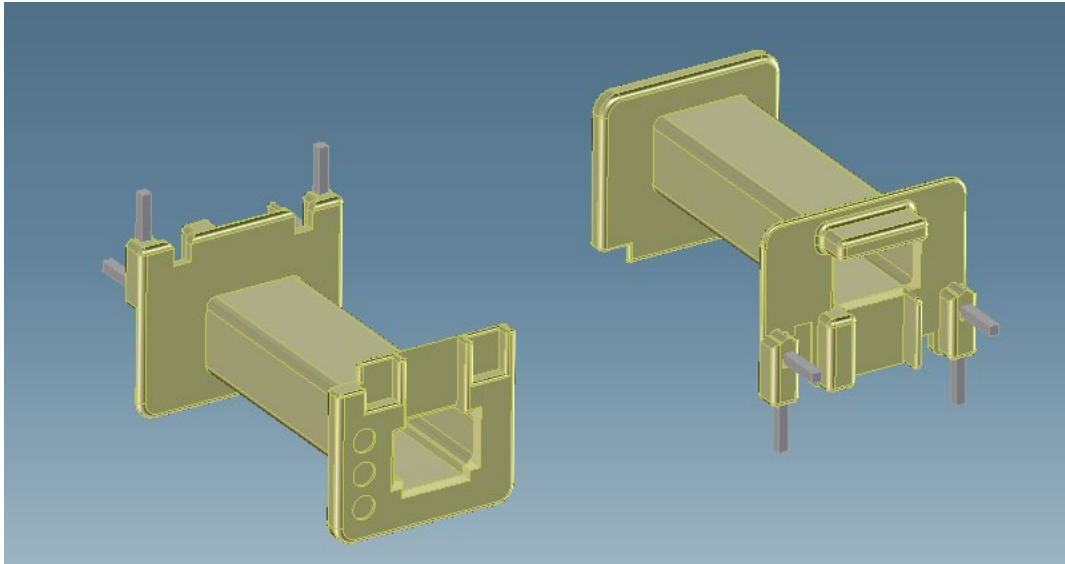
### ➤ **Description of the change:**

New copy injection molds for the following plastic parts:

Fluxgate coil former:



Lower and upper coils:



➤ **Reason of the change:**

Existing molds will reach their over lifecycle soon + to increase production capacity





Life Energy Motion

**Impact on the product:**

- On the form: NO
- On the fit: NO
- On the function: NO
- On the reliability: NO
- On the data sheet: NO
- On the process: NO
- On the quality: NO

**Schedule of the modification:**

Start of delivery of modified product	<b>for fluxgate: date code 722025 (25<sup>th</sup> January 2022)</b> <b>for lower and upper coil: date code 722208 (27<sup>th</sup> July 2022)</b>
---------------------------------------	---

Sincerely yours,

Stéphane ROLLIER

Product Manager

