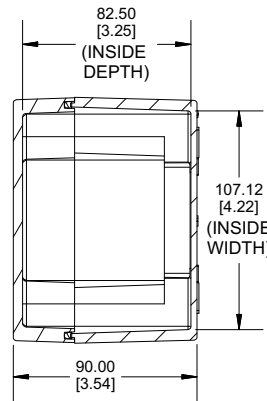
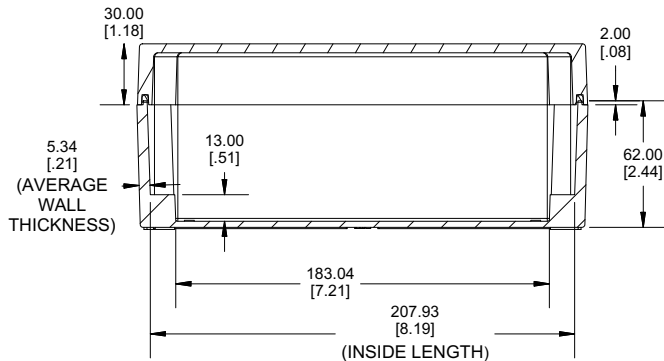
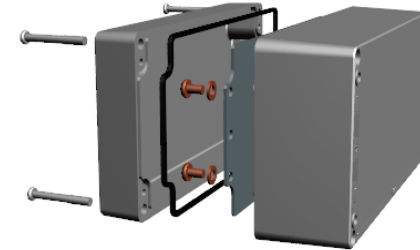


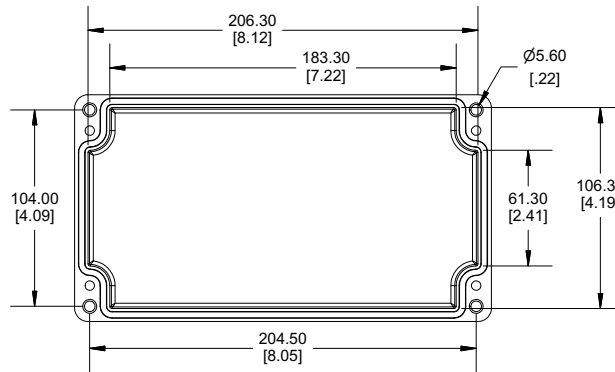
TOP VIEW



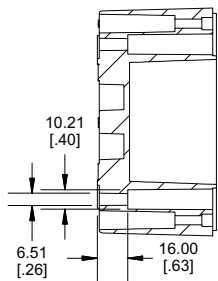
**SECTION A-A
END VIEW**



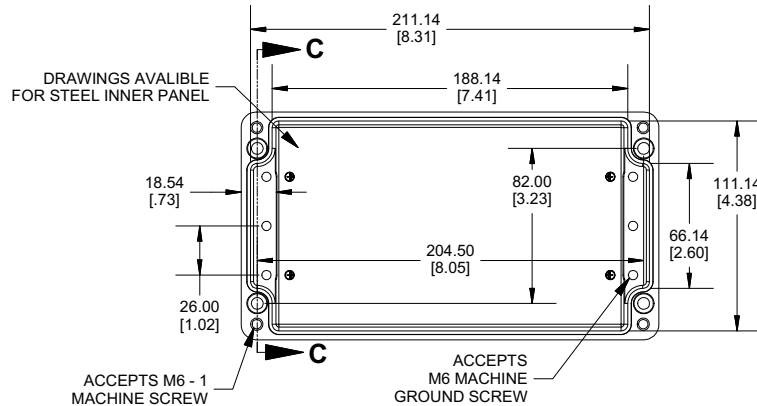
**SECTION B-B
SIDE VIEW**



INSIDE LID



**SECTION C-C
MOUNTING HOLE**



INSIDE BOX

UL US LISTED
 FILE #E65324
 NEMA 4, 4X, 6, 6P
 Enclosures can be Factory Modified (Milling, Drilling, Printing etc.)
 Contact Factory mjm@hammondmfg.com for quotes
 Solid models of this enclosure available in STEP or IGES.
 (Part number and text placement/orientation on our products are subject to change,
 we do not recommend using them as a locating reference for modification purposes)

NOTE
 Purchased assembly includes box, lid, silicone gasket,
 4 cover screws and 4 ground screws with washers.
 Box and lid are made from Diecast Aluminum Alloy.
Recommended cover screw Torque 15-17 lbf.in (150 -170 cN.m)

| 1590Z155 | |
|---|------------|
| 1590Z155 Enclosure | |
| Natural Enclosure | 1590Z155 |
| Black Enclosure | 1590Z155BK |
| Grey Enclosure - RAL7001 Gloss | 1590Z155GY |
| ACCESSORIES | |
| Steel Inner Panel | 1590Z150PL |
| Pre-Formed Silicone Gasket (2 Pack) | 1590Z150G |
| Copper Ground Hardware (20 Pack) [M6 - 1.0 X 10mm / M6 Washer] | SCGM6-20 |
| Stainless Steel Cover screws (12 pkg) [M6 - 1.0 x 45mm] | SC565-12 |

1590Z155
www.hammondmfg.com

Dimensions:
 mm
 [inches]