

Cirrus 40



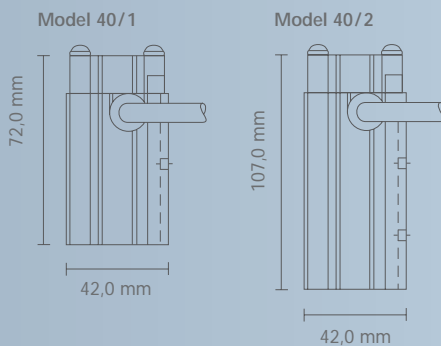
Cirrus 40	40/1				40/2			
	50 W	60 W	80 W	100 W	125 W	150 W	200 W	230 W
Nominal Power Output at 10°C, 12 V or 230 V**	50 W	60 W	80 W	100 W	125 W	150 W	200 W	230 W
Rated fan current (amps) at 12 V	0.095	0.095	0.095	0.095	0.095	0.095	0.095	0.165
Recommended fuse at 12 V / 24 V	6	6	n/a	n/a	n/a	n/a	n/a	n/a
Time delay (Amps) at 115 / 230 V	2	2	2	4	4	4	4	4
Fan volumetric flow at zero static pressure (m³/hr)	13.6	13.6	13.6	13.6	13.6	13.6	13.6	17
Fan lifetime at 40°C, L 10 hours	120,000	120,000	120,000	120,000	120,000	120,000	120,000	50,000
Fan operating temperature C°	-10 to +70	-10 to +70	-10 to +70	-10 to +70	-10 to +70	-10 to +70	-10 to +70	-20 to +60
Input Voltage (V) fan DC heater	12	24	12	24	12	24	12	24
	12	24	12	24	n/a	n/a	n/a	n/a
	115 / 230	115 / 230	115 / 230	115 / 230	115 / 230	115 / 230	115 / 230	115 / 230
Dimensions (mm) cross section	42 x 42	42 x 42	42 x 42	42 x 42	42 x 42	42 x 42	42 x 42	42 x 42
length of profile and fan	72	72	72	72	107	107	107	117
Weight (kg)	0.175	0.175	0.175	0.175	0.260	0.260	0.260	0.275
Protection Type	IP 20	IP 20	IP 20	IP 20	IP 20	IP 20	IP 20	IP 20
Cable length (mm)	600	600	600	600	600	600	600	600
Outlet Finger Guard (High Voltage supply)	Y	Y	Y	Y	Y	Y	Y	Y
Outlet Finger Guard (Low Voltage supply)	Option	Option	Option	Option	n/a	n/a	n/a	n/a

When specifying 12V fan, select either ac or dc operation. For 24V fan operation ac or dc can be applied. *Typical power reduction of 25% when filter fixed.** Other power outputs available on request.

Ordering Example:

Type	Size	Power	Fan input	AC / DC	Heater Voltage	Finger guard		DIN clip		Filter
						outlet 1/0	inlet 1/0	1 / 0	1 / 0	
C 40	2	125 W	24 V	AC	240 V	1	0	1	1	1

Order Code Example: C 40 / 2 – 125 W – 24 V – AC – 240 V – 1 – 0 – 1 – 1



Features:

- High power to size ratio
- Lightweight
- Easy to fit
- pre-wired
- Independent fan circuit to aid climate cooling

Options:

- Finger guard on either end
- Filter Assembly*
- Smartcon®- Cable to allow AC fan supply and/or 24 V fan supply
- Fixings - 35mm DIN Rail clip (EN50022)

DBK David+Baader GmbH

Components

Rheinstrasse 72 - 74
D - 76870 Kandel

Phone: + 49 (0) 72 75 7 03 - 231
Fax: + 49 (0) 72 75 7 03 - 249

info@dbk-group.de
www.dbk-components.com