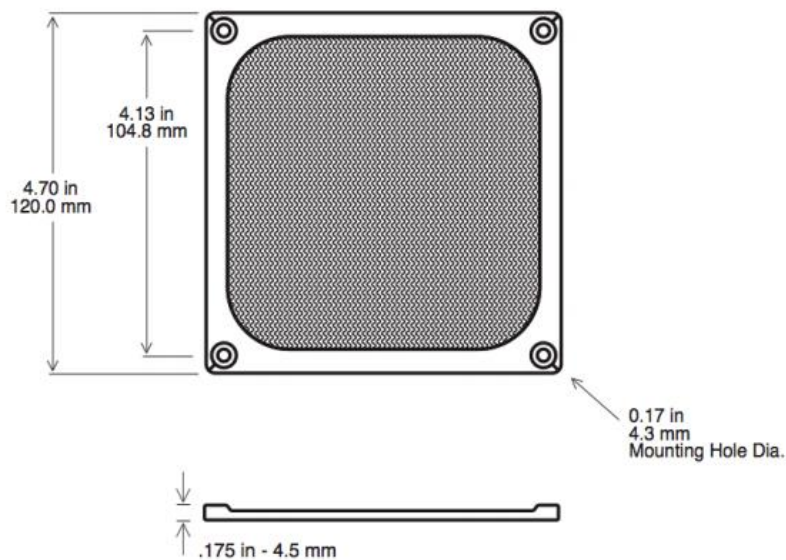


Datasheet

Fan Mounted Fan Filter for 120mm Fan

RS Stock number [737-4103](#)

Dimensions: (mm)



Specifications

- Aluminium/ Stainless filters offer high levels of air passage while efficiently filtering contaminants and shielding EMI/RFI
- Tightly woven stainless corrugated mesh screen (30x30, 3/16" pitch, 1/8" Deep)
- Filters may be mounted directly onto the fan or to any other housing.