

# GN 187.4-NI | Toothed clamping elements

Stainless steel



## MATERIAL

Sintered AISI 316 LHC stainless steel.

## STANDARD EXECUTIONS

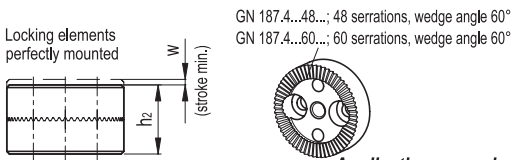
- **GN 187.4-A-NI**: with a central threaded pass-through hole, two side holes for cylindrical head screws and two holes for pins that prevent the plate from rotating.
- **GN 187.4-B-NI**: with a central plain pass-through hole, two side holes for cylindrical head screws and two holes for pins that prevent the plate from rotating.
- **GN 187.4-C-NI**: with a central threaded hole, two side threaded pass-through holes and two holes for pins that prevent the plate from rotating.
- **GN 187.4-D-NI**: with a central plain pass-through hole, two side threaded pass-through holes and two holes for pins that prevent the plate from rotating.
- **GN 187.4-E-NI**: without holes.

## FEATURES AND APPLICATIONS

GN 187.4-NI toothed elements are used to secure coupled parts at a given angle.

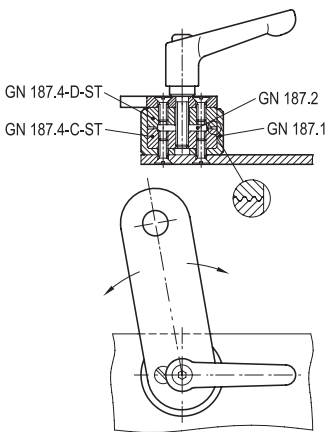
## ACCESSORIES ON REQUEST

- Case GN 187.1 (see page 952).
- Push springs GN 187.2 (see page 952).



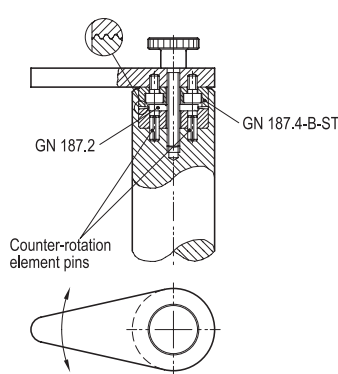
Application examples GN 187.4, GN 187.1 e GN 187.2

### Adjustable element link



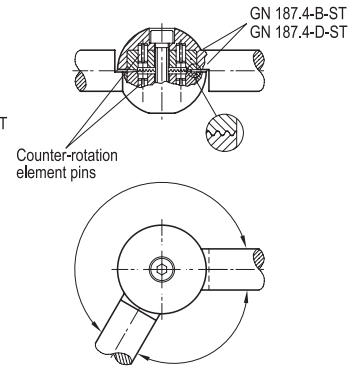
GN 187.4-A-NI

### Connection cam/shaft

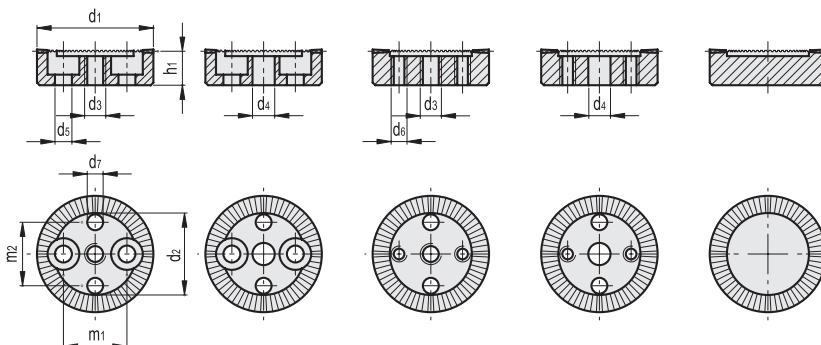


GN 187.4-B-NI

### Connection of two joint rods



GN 187.4-E-NI



Machine elements

## GN 187.4-A-NI

INOX STAINLESS STEEL

Code	Description	d1	d3	d7 H11	d2	d5	h1 ±0.09	h2	m1	m2	wmin	⚖️
GN.31421	GN 187.4-22-48-A-NI	22	M4	3	15.5	3.2	6.5	13	12	12	0.6	20
GN.31427	GN 187.4-22-60-A-NI	22	M4	3	15.5	3.2	6.5	13	12	12	0.6	20
GN.31441	GN 187.4-27-48-A-NI	27	M5	4	19.5	4.3	7.5	15	15	15	0.7	20
GN.31447	GN 187.4-27-60-A-NI	27	M5	4	19.5	4.3	7.5	15	15	15	0.7	21
GN.31461	GN 187.4-32-48-A-NI	32	M6	5	23.5	5.3	9	18	18	18	0.9	35
GN.31467	GN 187.4-32-60-A-NI	32	M6	5	23.5	5.3	9	18	18	18	0.9	37
GN.31481	GN 187.4-40-48-A-NI	40	M8	6	30	6.3	11.5	23	23	23	1.3	50
GN.31487	GN 187.4-40-60-A-NI	40	M8	6	30	6.3	11.5	23	23	23	1.3	60

## GN 187.4-B-NI

INOX STAINLESS STEEL

Code	Description	d1	d4 H11	d7 H11	d2	d5	h1 ±0.09	h2	m1	m2	wmin	⚖️
GN.31422	GN 187.4-22-48-B-NI	22	4.2	3	15.5	3.2	6.5	13	12	12	0.6	20
GN.31428	GN 187.4-22-60-B-NI	22	4.2	3	15.5	3.2	6.5	13	12	12	0.6	20
GN.31442	GN 187.4-27-48-B-NI	27	5.2	4	19.5	4.3	7.5	15	15	15	0.7	20
GN.31448	GN 187.4-27-60-B-NI	27	5.2	4	19.5	4.3	7.5	15	15	15	0.7	21
GN.31462	GN 187.4-32-48-B-NI	32	6.2	5	23.5	5.3	9	18	18	18	0.9	35
GN.31468	GN 187.4-32-60-B-NI	32	6.2	5	23.5	5.3	9	18	18	18	0.9	36
GN.31482	GN 187.4-40-48-B-NI	40	8.2	6	30	6.3	11.5	23	23	23	1.3	72
GN.31488	GN 187.4-40-60-B-NI	40	8.2	6	30	6.3	11.5	23	23	23	1.3	80

## GN 187.4-C-NI

INOX STAINLESS STEEL

Code	Description	d1	d3	d7 H11	d2	d6	h1 ±0.09	h2	m1	m2	wmin	⚖️
GN.31423	GN 187.4-22-48-C-NI	22	M4	3	15.5	M3	6.5	13	12	12	0.6	20
GN.31429	GN 187.4-22-60-C-NI	22	M4	3	15.5	M3	6.5	13	12	12	0.6	14
GN.31443	GN 187.4-27-48-C-NI	27	M5	4	19.5	M4	7.5	15	15	15	0.7	24
GN.31449	GN 187.4-27-60-C-NI	27	M5	4	19.5	M4	7.5	15	15	15	0.7	24
GN.31463	GN 187.4-32-48-C-NI	32	M6	5	23.5	M5	9	18	18	18	0.9	39
GN.31469	GN 187.4-32-60-C-NI	32	M6	5	23.5	M5	9	18	18	18	0.9	41
GN.31483	GN 187.4-40-48-C-NI	40	M8	6	30	M6	11.5	23	23	23	1.3	81
GN.31489	GN 187.4-40-60-C-NI	40	M8	6	30	M6	11.5	23	23	23	1.3	80

## GN 187.4-D-NI

INOX STAINLESS STEEL

Code	Description	d1	d4 H11	d7 H11	d2	d6	h1 ±0.09	h2	m1	m2	wmin	⚖️
GN.31424	GN 187.4-22-48-D-NI	22	4.2	3	15.5	M3	6.5	13	12	12	0.6	20
GN.31430	GN 187.4-22-60-D-NI	22	4.2	3	15.5	M3	6.5	13	12	12	0.6	20
GN.31444	GN 187.4-27-48-D-NI	27	5.2	4	19.5	M4	7.5	15	15	15	0.7	26
GN.31450	GN 187.4-27-60-D-NI	27	5.2	4	19.5	M4	7.5	15	15	15	0.7	24
GN.31464	GN 187.4-32-48-D-NI	32	6.2	5	23.5	M5	9	18	18	18	0.9	39
GN.31470	GN 187.4-32-60-D-NI	32	6.2	5	23.5	M5	9	18	18	18	0.9	40
GN.31484	GN 187.4-40-48-D-NI	40	8.2	6	30	M6	11.5	23	23	23	1.3	79
GN.31490	GN 187.4-40-60-D-NI	40	8.2	6	30	M6	11.5	23	23	23	1.3	80

## GN 187.4-E-NI

INOX STAINLESS STEEL

Code	Description	d1	d2	h1 ±0.09	h2	wmin	⚖️
GN.31425	GN 187.4-22-48-E-NI	22	15.5	6.5	13	0.6	15
GN.31431	GN 187.4-22-60-E-NI	22	15.5	6.5	13	0.6	20
GN.31445	GN 187.4-27-48-E-NI	27	19.5	7.5	15	0.7	27
GN.31451	GN 187.4-27-60-E-NI	27	19.5	7.5	15	0.7	20
GN.31465	GN 187.4-32-48-E-NI	32	23.5	9	18	0.9	46
GN.31471	GN 187.4-32-60-E-NI	32	23.5	9	18	0.9	46
GN.31485	GN 187.4-40-48-E-NI	40	30	11.5	23	1.3	80
GN.31491	GN 187.4-40-60-E-NI	40	30	11.5	23	1.7	90

