

FC234, FC300, FC350, FC355, 1503, 2651/2652, 26U51B

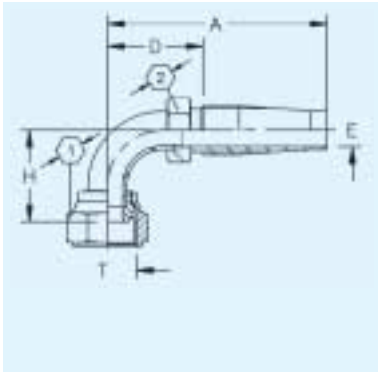
Fittings
Medium
Pressure

Mitteldruck-
armaturen

Embouts
moyenne
pression

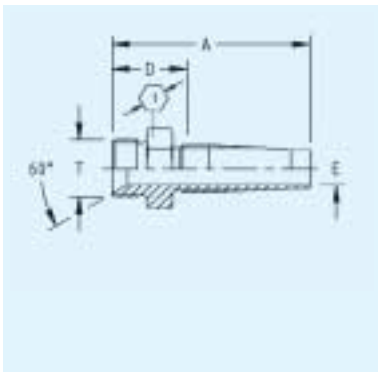
Raccordi
media pressione

Racores
medias
presiones



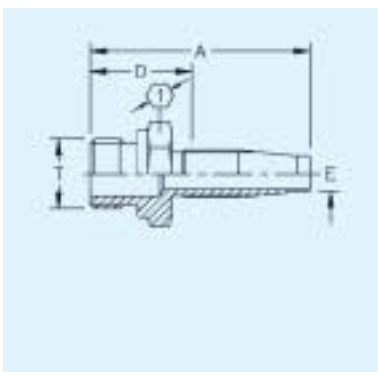
BSP Female Swivel, 90° Elbow **BSP-Dichtkopf, 90° Krümmer** **Globeseal BSP coudé 90°** **Femmina girevole a 90°, gas** **Hembra loca BSP acodado a 90°**

Part Number	Thread T	Flange Tube O.D. mm	Hose ND	Hose Size	A mm	D mm	H mm	E Ø mm	K Ø mm	R Ø mm	HEX [1]	HEX [2]	Nut
11.011-4-4	G 1/4"		5	-4	47	30	22	3			17	12	
11.011-6-6	G 3/8"		8	-6	60	39	29	6			22	14	
11.011-8-8	G 1/2"		10	-8	70	43	32	8			27	17	
11.011-10-10	G 5/8"		12	-10	79	47	36	11			27	19	
11.011-12-12	G 3/4"		16	-12	105	66	56	14			32	24	
11.011-16-16	G 1"		19	-16	105	76	69	20,5			41	30	
11.011-20-20	G 1 1/4"		25	-20	103	70	63	26,5			50	36	
11.011-24-24	G 1 1/2"		31	-24	113	77	74	32,5			55	46	
11.011-32-32	G 2"		38	-32	153	106	101	44,5			70	55	



BSP Male Parallel **Außengewinde-anschluss/BSP** **Mâle BSP cylindrique, con 60°** **Maschio gas** **Macho fijo/BSP**

Part Number	Thread T	Flange Tube O.D. mm	Hose ND	Hose Size	A mm	D mm	H mm	E Ø mm	K Ø mm	R Ø mm	HEX [1]	HEX [2]	Nut
11.340-4-4	G 1/4"		5	-4	46	29		3			14		
11.340-6-6	G 3/8"		8	-6	54	31		6			19		
11.340-8-8	G 1/2"		10	-8	64	36		9			22		
11.340-10-10	G 5/8"		12	-10	71	39		12			24		
11.340-12-12	G 3/4"		16	-12	79	40		14			27		
11.340-16-16	G 1"		19	-16	70	40		21			36		
11.340-20-20	G 1 1/4"		25	-20	74	41		27			46		



BSP Male Parallel **Außengewinde-anschluss/BSP, Dichtkante Form „B“** **Mâle BSP cylindrique, face plate** **Maschio gas** **Macho fijo/BSP asiento plano**

Part Number	Thread T	Flange Tube O.D. mm	Hose ND	Hose Size	A mm	D mm	H mm	E Ø mm	K Ø mm	R Ø mm	HEX [1]	HEX [2]	Nut
11.187-4-4	G 1/4"		5	-4	48	31		3			19		
11.187-6-6	G 3/8"		8	-6	56	32		6			22		
11.187-8-8	G 1/2"		10	-8	66	38		9			27		
11.187-12-12	G 3/4"		16	-12	81	42		14			32		
11.187-16-16	G 1"		19	-16	70	41		21			41		
11.187-20-20	G 1 1/4"		25	-20	77	43		27			50		