



Three phase SPD unit



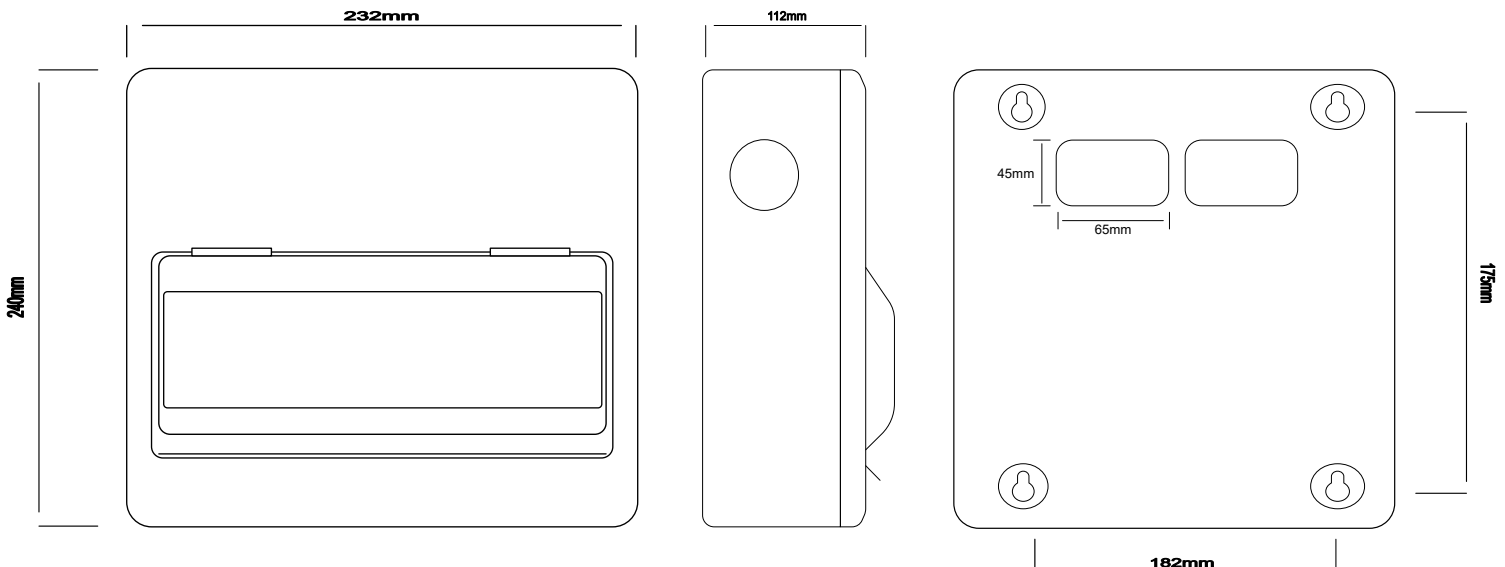
WMCUSP4***

Three phase SPD unit consists of 8 way IP40 metal enclosure, with 4 pole 20kA/40kA type 2 surge protector and 4 pole 10kA MCB. (***) Amperage and Curve of MCB).



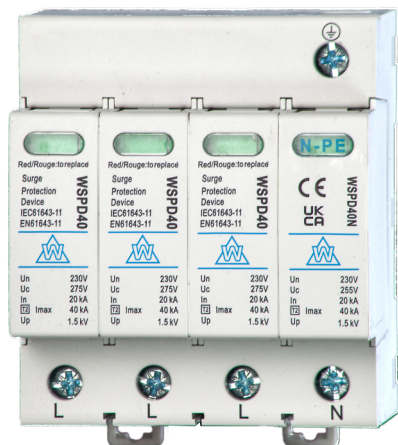
WRCUSP4***

Three phase SPD unit consists of 8 way IP40 metal enclosure, with 4 pole 20kA/40kA type 2 surge protector and 4 pole A-type RCBO. (***) Amperage and Curve of RCBO).





4 pole Surge protection device



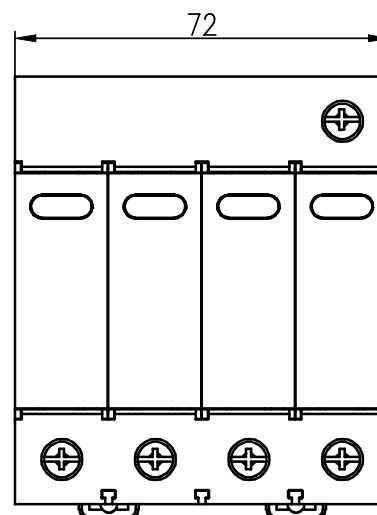
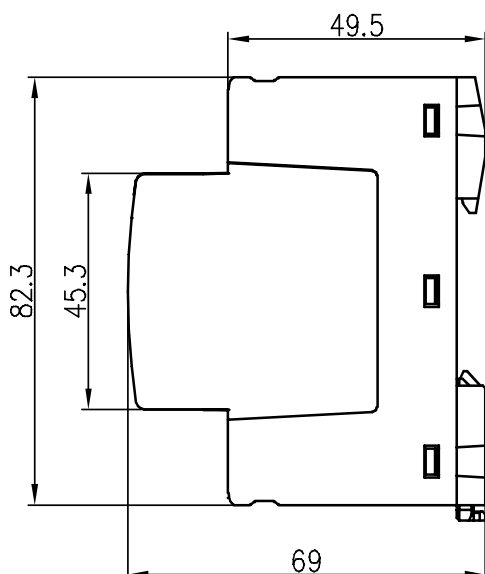
WSPD440

SPD's protect electrical and electronic equipment against transients, originating from lightning, switching of transformers, lighting and motors.

These transient voltages can cause premature ageing of equipment, downtime or components and materials.

SPD's are strongly recommended on installations that are exposed to transient voltages, to protect sensitive and expensive electrical equipment such as TV, video, HI-FI, PC, alarm etc.

Part No	WSPD440
Technology	MOV+GSG
Type	Type 2
Network	230/400 V 3-phase + N
Max. AC operating voltage U_c	275V
Temporary Over Voltage (TOV) Characteristics -5 sec. UT	335 Vac withstand
Temporary Over Voltage (TOV) Characteristics -120 sec. UT	440 Vac disconnection
Nominal discharge current I_n	20kA
Max. discharge current I_{max} total	40kA
Total Maximum discharge current I_{max} total	40kA
Withstand on combustion waveform IEC 61643-11 U_{oc}	6kV
Protection level up	1.5kV
Protection level N/PE at 5 kA	0.7 kV
Residual voltage L/PE at 5 kA	0.7 kV
Admissible short-circuit current	25kA
Connection to network	by screw terminals: 2.5 -25mm ²
Mounting	Symmetrical rail 35mm (DIN 60715)
Operating temperature	-40/+85C
Protection rating	IP20
Fail safe mode	Disconnection from AC network
Disconnection indicator	1 mechanical indicator by pole - Red/Green
Fuses	50 A mini. 125A max. Fuses Type gG
Standards compliance	IEC 61643-11 / EN 61643-11



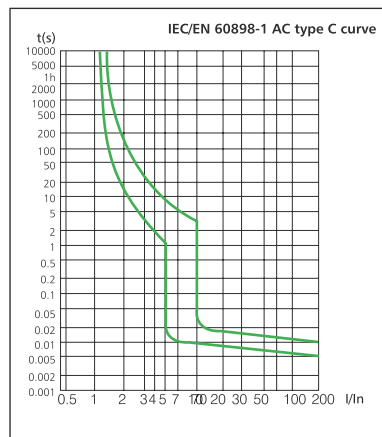
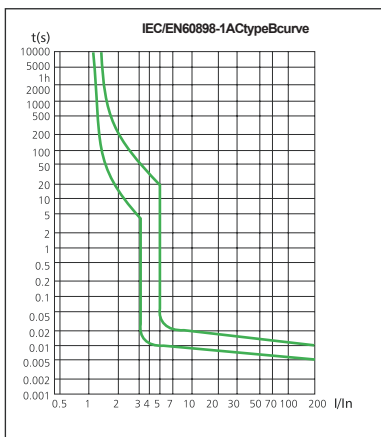
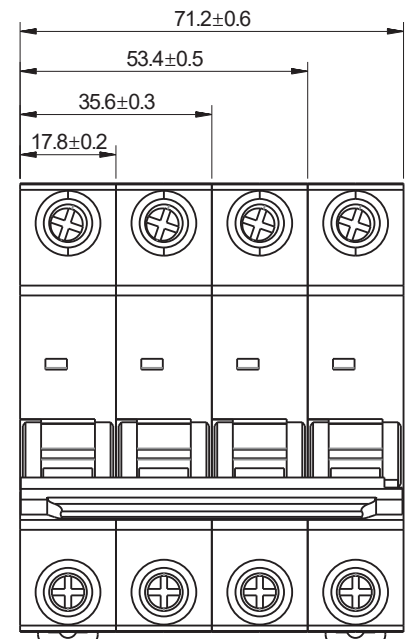
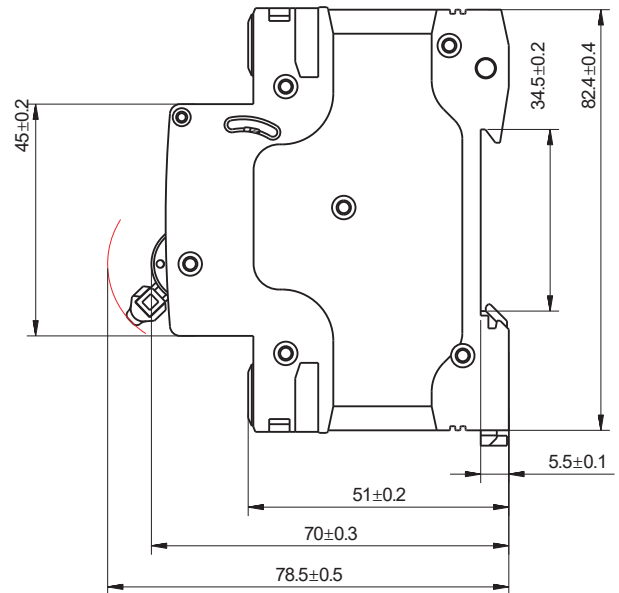


● 4 Pole 10kA MCB

Description & Features

These W brand MCBs can be the ideal solution for domestic, as well as in commercial and industry electrical, distribution systems because of its long lasting and durable nature.

Part No.	Description	Box Qty
WKB406B	4 Pole 6Amps B Curve 10 kA MCB	30
WKB410B	4 Pole 10Amps B Curve 10 kA MCB	30
WKB416B	4 Pole 16Amps B Curve 10 kA MCB	30
WKB420B	4 Pole 20Amps B Curve 10 kA MCB	30
WKB425B	4 Pole 25Amps B Curve 10 kA MCB	30
WKB432B	4 Pole 32Amps B Curve 10 kA MCB	30
WKB440B	4 Pole 40Amps B Curve 10 kA MCB	30
WKB450B	4 Pole 50Amps B Curve 10 kA MCB	30
WKB463B	4 Pole 63Amps B Curve 10 kA MCB	30
WKB406C	4 Pole 6Amps C Curve 10 kA MCB	30
WKB410C	4 Pole 10Amps C Curve 10 kA MCB	30
WKB416C	4 Pole 16Amps C Curve 10 kA MCB	30
WKB420C	4 Pole 20Amps C Curve 10 kA MCB	30
WKB432C	4 Pole 32Amps C Curve 10 kA MCB	30
WKB440C	4 Pole 40Amps C Curve 10 kA MCB	30
WKB450C	4 Pole 50Amps C Curve 10 kA MCB	30
WKB463C	4 Pole 63Amps C Curve 10 kA MCB	30





● 4 Pole A-Type RCBO

Description & Features

These WCED brand Type A RCBOs are designed specifically for individual EV chargers, where the model and make of the vehicle being charged is unknown. They can detect & respond as for type AC, PLUS pulsating DC components.

Technical Data

Rated current(I_n): 6,16,20,32,40A

Rated voltage(U_n) 415V AC

Breaking capacity (I_{cn}) 6kA

Rated residual current: 30mA

Tripping characteristics: B,C

Electrical endurance: 4000 cycles Mechanical endurance: 10000 cycles

Ambient temperature: -25 C -- +40 C

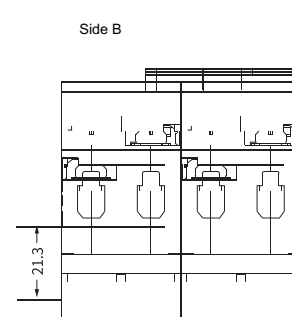
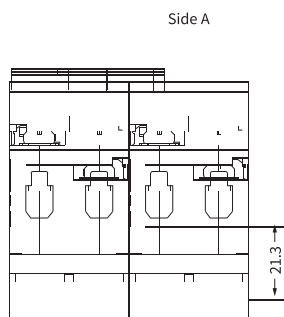
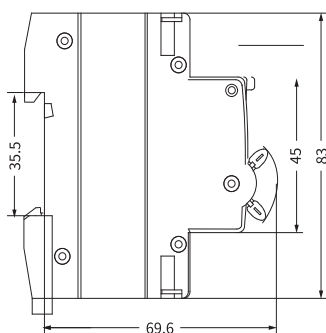
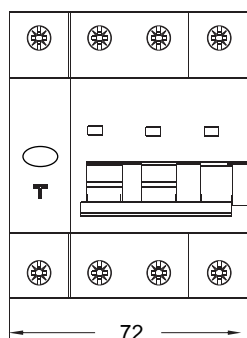
IP 20 rated

Complies with BS EN 61009-1

Recommended Torque: 2.5Nm



Part No	Description	Qty
ADR4**-30	Type A 6,16,20,32,40Amps b/C Curve 30mA High Immunity RCBO (**insert current rating & trip curve ie ADR440C-30)	60



Overload Current Protection Characteristics

Test procedure	Curve	Test Current	Initial State	Tripping or Non-tripping Time Limit	Expected Result	Remark
a	C	1.13 I _n	Cold	t ≥ 1h	no tripping	
b	C	1.45 I _n	after test a	t < 1h	tripping	Current in the 5s in the increase of stability
c	C	2.55 I _n	Cold	1 s	tripping	
d	C	5 I _n	Cold	t ≥ 0.1s	no tripping	Turn on the auxiliary switch to close the current
e	C	10 I _n	Cold	t < 0.1s	tripping	Turn on the auxiliary switch to close the current

The terminology "cold state" refers to that no load is carried before testing at the reference setting temperature