

Features:

- 5° standard directivity
- Superior weather-resistance
- UV resistant epoxy
- Water clear type
- RoHS compliant

Applications

- Automotive dashboard lighting
- Back lighting

Absolute maximum rating (Ta=25°C)

Item	Symbol	Value	Unit
DC forward current	I_F	50	mA
Pulse forward current*	I_{FP}	100	mA
Reverse voltage	V_R	5	V
Power dissipation	P_D	100	mW
Operating temperature	T_{opr}	-30 to +80	°C
Storage temperature	T_{stg}	-30 to +100	°C
Lead soldering temperature	T_{sol}	260°C/3sec	-

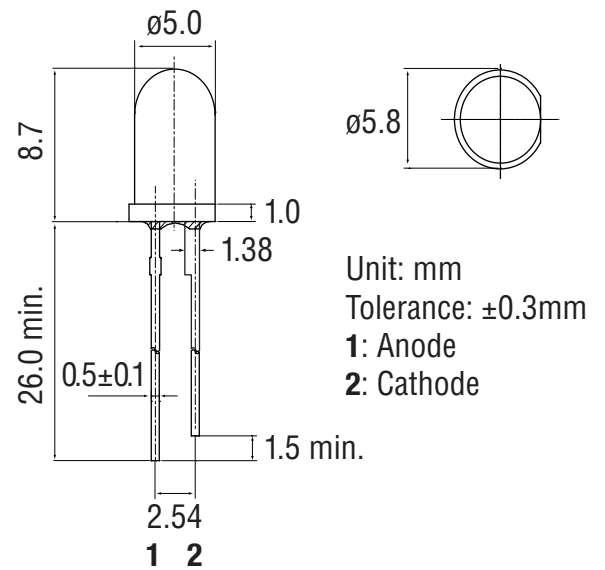
*Pulse width max. 10ms. Duty ratio max. 1/10

Electrical - Optical characteristics (Ta=25°C)

Item	Symbol	Condition	Min.	Typ.	Max.	Unit
DC forward voltage	V_F	$I_F = 30\text{mA}$	3.0	3.4	4.0	V
DC reverse current	I_R	$V_R = 5\text{V}$	-	-	10	μA
Chromaticity Coordinates	x	$I_F = 30\text{mA}$	0.45	0.5	0.53	
	y	$I_F = 30\text{mA}$	0.40	0.43	0.47	
Luminous intensity	I_v	$I_F = 30\text{mA}$	22000	28000	-	mcd
50% power angle	$2\theta_{1/2}$	$I_F = 30\text{mA}$	-	0.15	-	deg



Outline dimensions:



Directivity:

