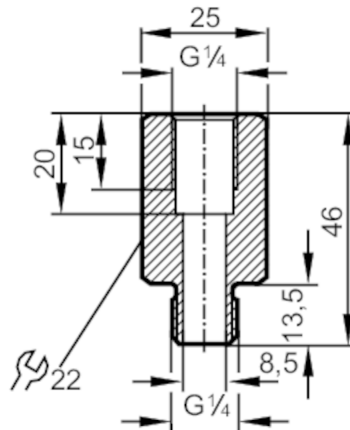


# E30107



## Screw-in adapter for process sensors

ADAPT TA G1/4 V4A



Application	
Pressure rating	[bar] 400
Tests / approvals	
Pressure Equipment Directive	A possible classification to PED depends on the application and has to be carried out by the user / operator.
Safety instructions	The compatibility between medium and product material has to be checked in all applications.
Mechanical data	
Weight	[g] 91.3
Materials	stainless steel (1.4404 / 316L)
Sensor connection	G 1/4
Process connection	G 1/4
Remarks	
Pack quantity	1 pcs.