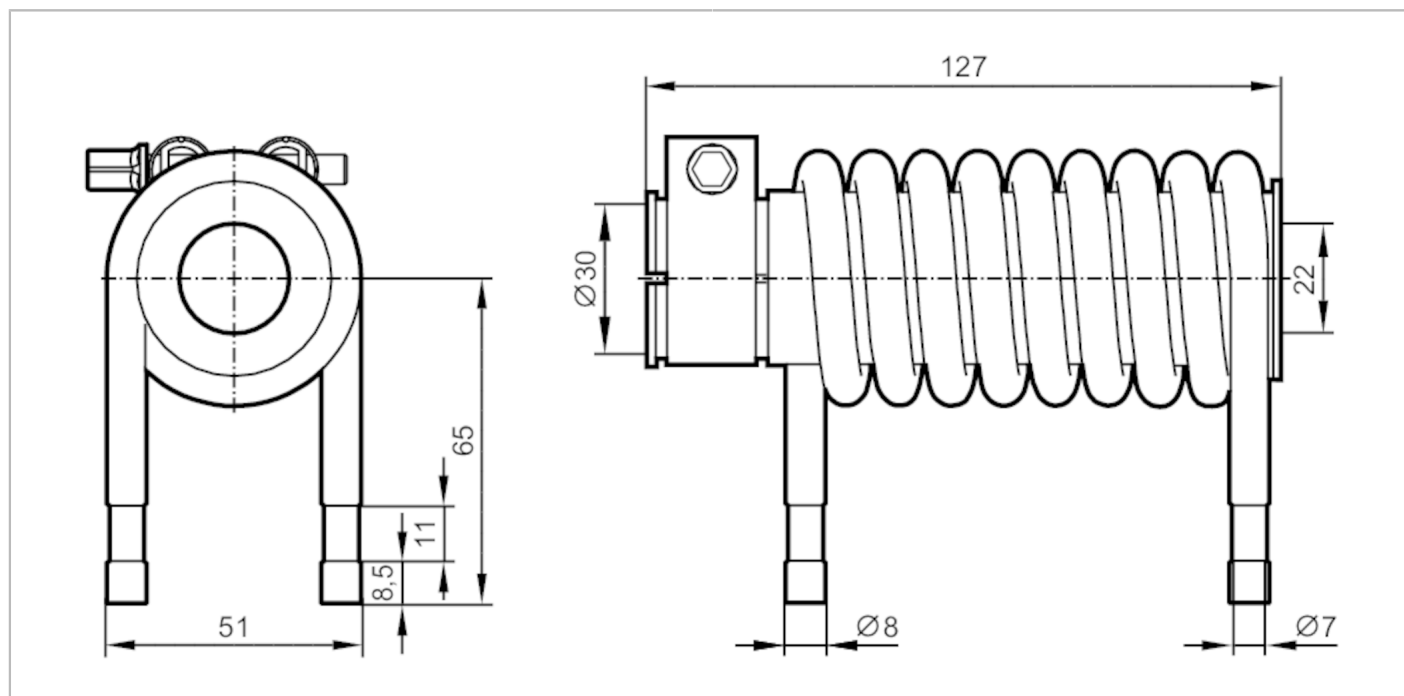


E35068



Cooling jacket for infrared temperature sensors

COOLING JACKET



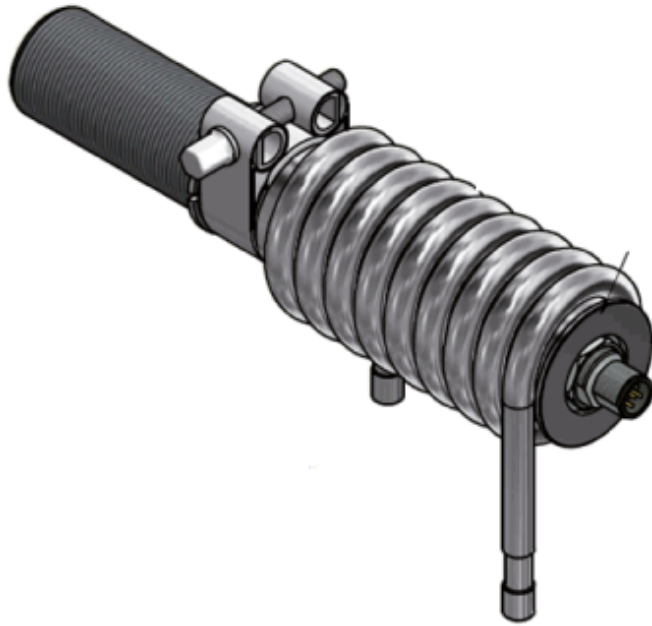
Application	
Design	for infrared temperature sensors TWxxxx, M30
Installation	sensor cooling (air or water); (TW)
Pressure rating	[bar] 6
Mechanical data	
Weight	[g] 493.5
Materials	stainless steel (1.4301 / 304)
Remarks	
Pack quantity	1 pcs.

Cooling jacket for infrared temperature sensors

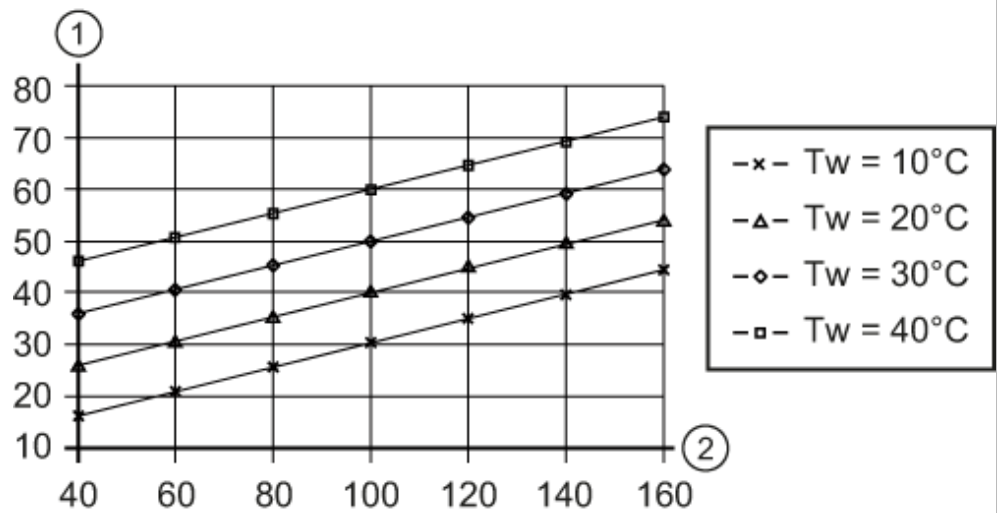
COOLING JACKET

Diagrams and graphs

A.



B.



A Installation

B cooling performance

inside temperature as a function of the outside temperature

T_w = cooling water temperature 1 L/min

1: inside temperature [°C]

2: outside temperature [°C]