

M12 male 90° with cable DeviceNet

PUR AWG24 + AWG22 shielded vt UL,CSA+drag ch. 2m

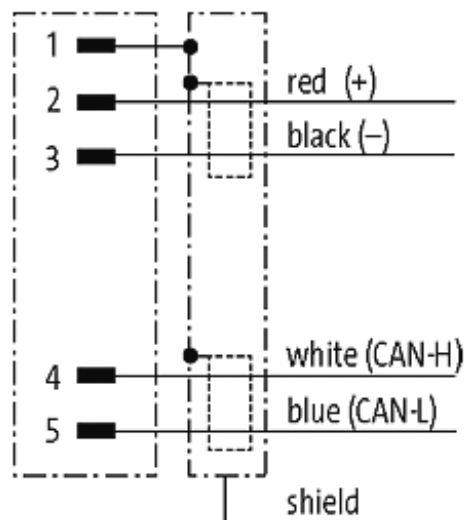
M12

Male 90°

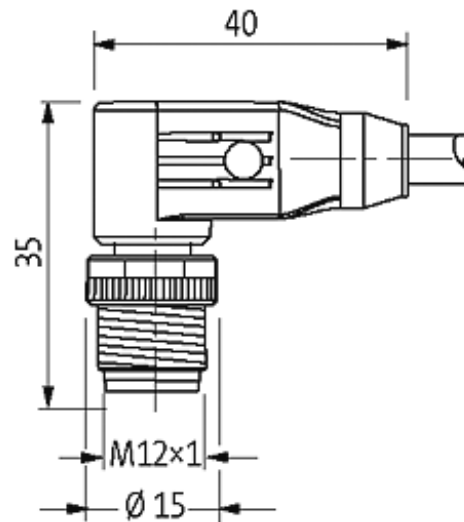
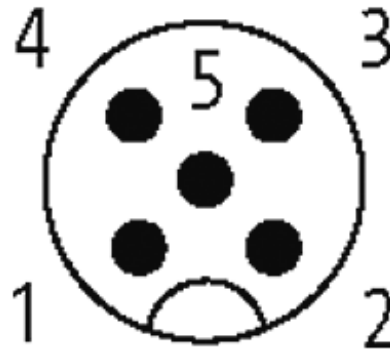
DeviceNet, CANopen

5-pole, shielded

Plastic housings with good resistance against chemicals and oils. The resistance to aggressive media should be individually tested for your application. Further details on request. Further cable lengths on request.

[Link to Product](#)**Illustration**

Male



Product may differ from Image

Approvals



More Info




Form

13125

Technical Data

| | |
|-------------------------------|-----------------|
| Operating voltage | max. 60 V AC/DC |
| Operating current per contact | max. 4 A |

The information in this brochure has been compiled with the utmost care.

Liability for the correctness completeness and topicality of the information is restricted to gross negligence. Version: 05/15

Murrelektronik GmbH | Falkenstraße 3, 71570 Oppenweiler | Fon +49 (71 91) 47-0, Fax +49 (71 91) 47-491000 | shop@murrelektronik.de | shop.murrelektronik.de

| | |
|------------------|---|
| Locking of ports | Screw thread M12 × 1 mm (recommended torque 0.6 Nm) self-securing |
| Protection | IP67 inserted and tightened (EN 60529) |

Cables

| | |
|-----------------------------|---------------------------------|
| Cable number | 803 |
| No./diameter of wires | 2×0.25 + 2×0.34 mm ² |
| Wire isolation | PE (rd, bk), (bl, wh) |
| C-track properties | 5 Mio. |
| Jacket Color | violet |
| Shore hardness outer jacket | 90 ± 5A |
| Material (jacket) | PUR (UL/CSA) |
| Outer diameter | approx. 6.9 mm |
| Bend radius (fixed) | 8 × outer Ø |
| Bend radius (moving) | 12 × outer Ø |
| Temperature range (fixed) | -40...+80 °C |
| Temperature range (mobile) | -20...+60 °C |
| Shielded | yes |

Commercial data

| | |
|------------------------|----------|
| country of origin | DE |
| customs tariff number | 85444290 |
| minimum order quantity | 1 |