



Figure similar

TOGGLE SWITCH, 16MM, ROUND, PLASTIC, GREEN,
3 SWITCH POSITIONS I-O-II, MOMENTARY
CONTACT, RETURN FROM LEFT AND RIGHT,
ACTUATING ANGLE 2X50 DEGREES

Design of the product		Single device round
Enclosure:		
Number of control points		1
Actuator:		
Design of the operating mechanism		selector switch
Manner of function of the actuating element		Momentary contact type
Product expansion optional Light source		No
Color		
• of the actuating element		Green
Material of the actuating element		plastic
Outer diameter of the actuating element	mm	19
Type of unlocking device		without
Number of switching positions		3
Actuating angle		
• clockwise	°	50
• anticlockwise	°	50
Front ring:		
Product component front ring		Yes
Design of the front ring		Standard
Material of the front ring		plastic
Color of the front ring		black
Holder:		
Material of the holder		Plastic
General technical data:		

Product function		
• EMERGENCY OFF function		No
• EMERGENCY STOP function		No
Vibration resistance		
• acc. to IEC 60068-2-6		20 ... 200 Hz: 5g
Operating frequency maximum	1/h	1 000
Mechanical service life (switching cycles)		
• typical		300 000
Protection class IP		IP65
Equipment marking		
• acc. to DIN 40719 extended according to IEC 204-2 acc. to IEC 750		S
• acc. to DIN EN 61346-2		S
• acc. to DIN EN 81346-2		S




Ambient conditions:

Ambient temperature		
• during operation	°C	-25 ... +70
• during storage	°C	-40 ... +80

Installation/ mounting/ dimensions:

Mounting type		front mounting
Shape of the installation opening		round
Mounting diameter	mm	16

Certificates/ approvals:

General Product Approval	Declaration of Conformity	Test Certificates	other	
 UL		 EG-Konf.	Special Test Certificate	Confirmation other

other

[Environmental Confirmations](#)

Further information

Information- and Downloadcenter (Catalogs, Brochures,...)

<http://www.siemens.com/industrial-controls/catalogs>

Industry Mall (Online ordering system)

<http://www.siemens.com/industrymall>

Cax online generator

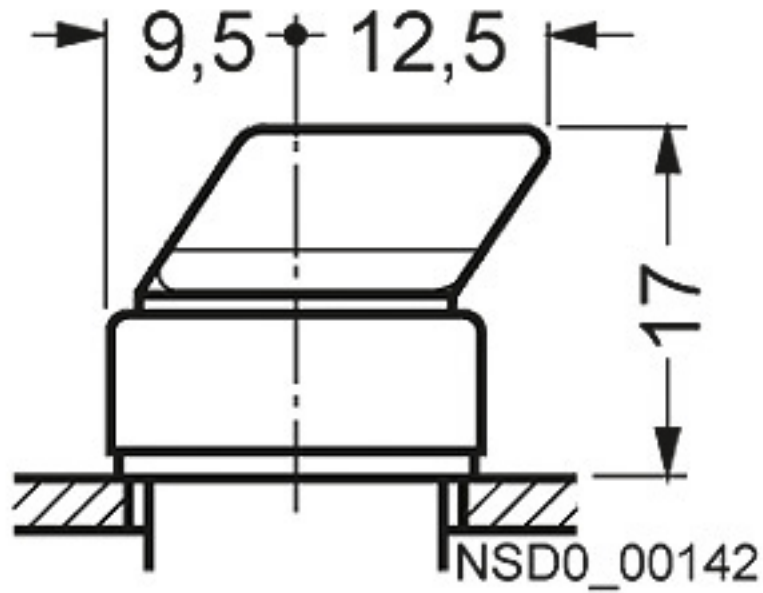
<http://support.automation.siemens.com/WW/CAXorder/default.aspx?lang=en&mlfb=3SB20002EE01>

Service&Support (Manuals, Certificates, Characteristics, FAQs,...)

<http://support.automation.siemens.com/WW/view/en/3SB20002EE01/all>

Image database (product images, 2D dimension drawings, 3D models, device circuit diagrams, EPLAN macros, ...)

http://www.automation.siemens.com/bilddb/cax_de.aspx?mlfb=3SB20002EE01&lang=en



last modified:

09.03.2015