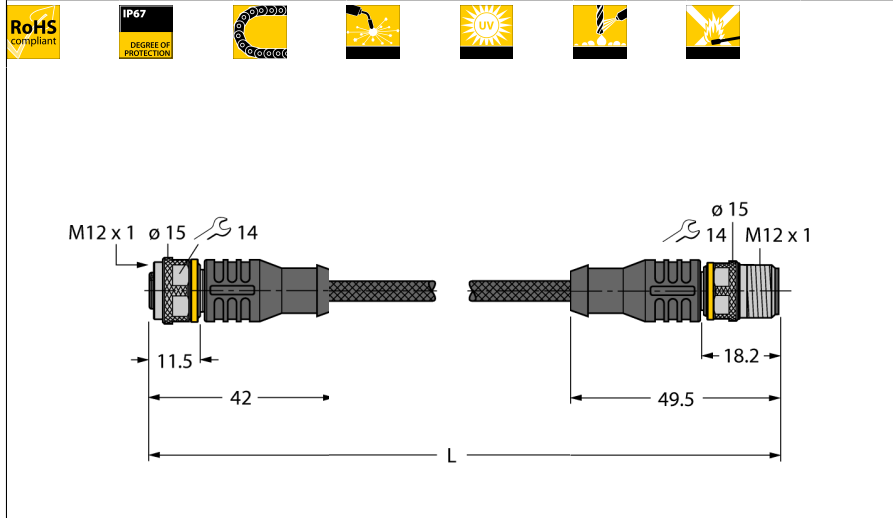


**Weld-Splatter Resistant Actuator and Sensor Cable
extension cable**
RKC4.4T-0,6-RSC4.4T/TXL1001



- Female M12, straight, 4-pin
- Male M12, straight, 4-pin
- Jacket material: PUR jacketed with aramid
- Jacket color: yellow
- Resistant to welding sparks
- Flame-retardant
- Resistant to chemicals, UV radiation and oils
- Free from halogen, silicone, PVC and LABS
- RoHS-compliant
- Protection class IP67
- Protective jacket material: Aramid fibers
 - Tensile strength: 2923 MPa
 - Breaking strength: 333 N
 - Elongation at break: 3.6%
 - Temperature peaks: up to +200 °C
- Cable length: 0.6 m

Type designation RKC4.4T-0,6-RSC4.4T/TXL1001
Ident no. 6628241

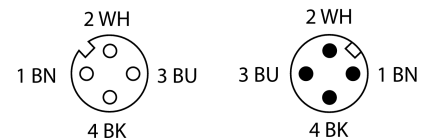
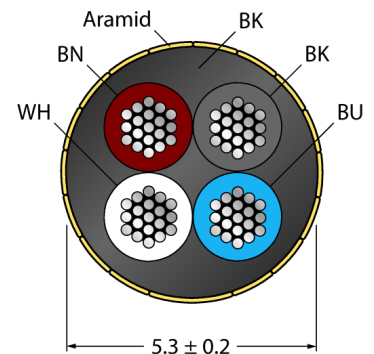
Connector A side
 Number of pins Female connector, M12 1, Straight
 4
 Contacts Brass, CuZn, Gold-plated
 Contact carriers Plastic, TPU, Black
 Grip Plastic, TPU, Black
 Coupling nut/screw Brass, CuZn, Nickel-plated
 Seal Plastic, FPM/FKM
 Protection class IP67, A + B side screwed together
 Mechanical lifespan > 100 Mating cycles
 Pollution degree 3
 Tightening torque 0.8 ... 1 Nm
 (observe max. torque of counter piece!)

Connector B side
 Number of pins Connector, M12 x 1, Straight
 4 pins
 Contacts brass, CuZn, Gold-plated
 Contact carriers Plastic, TPU, Black
 Grip plastic, TPU, black
 Coupling nut/screw Brass, CuZn, Nickel-plated
 Protection class IP67, only in screwed state
 Mechanical lifespan > 100 Mating cycles
 Pollution degree 3
 Tightening torque 0.8 ... 1 Nm
 (observe max. torque of counter piece!)

General data
 Cable diameter 5.3 ± 0.20mm
 Cable length 0.6 m
 Cable quality PUR
 Cable color Black
 Core insulation PP
 Core colors BN, WH, BU, BK
 Core cross-section 4x0.34mm²
 Arrangement of strands 42x0.1 mm

Electrical features at +20 °C
 Current 4 A
 Rated voltage 250 V
 Insulation resistance > 30.5 MΩ/km
 Test voltage 2000 V
 Forward resistance max. 57 Ω/km

Cable Cross-section



General information

Drawing depicts design version including hexagon coupling nut
 (Production date after CW11/2016).

Circuit Diagram



Weld-Splatter Resistant Actuator and Sensor Cable extension cable RKC4.4T-0,6-RSC4.4T/TXL1001

Mechanical and chemical properties

| | |
|------------------------------------|------------------------|
| Max. tensile strength (static) | ≤ 50 N/mm ² |
| Max. tensile strength (dynamic) | ≤ 20 N/mm ² |
| Bending radius (stationary laying) | > 5 x Ø |
| Bending radius (flexible use) | > 10 x Ø |
| Ambient temperature | |
| Stationary | -50...+105°C |
| In motion | -30...+90°C |

**Weld-Splatter Resistant Actuator and Sensor Cable
extension cable
RKC4.4T-0,6-RSC4.4T/TXL1001**

TURCK

Industrial
Automation

Accessories

| Type code | Ident no. | Description | |
|-----------------------------------|-----------|---|---|
| Torque-Wrench-Set-AS | 6936170 | Torque wrench set; handles with adjustable torque 0.4-1.0 Nm, torque wrench for M8 (SW9), fork wrench for M12 (SW 14) |  |
| BLANK-LABEL-FOR-CORDESETS-TEL-TXL | 6936206 | Label for TEL and TXL cables, length: 18 mm, height: 4 mm, material: polycarbonate (PC), color: white, halogen-free and flame-retardant |  |