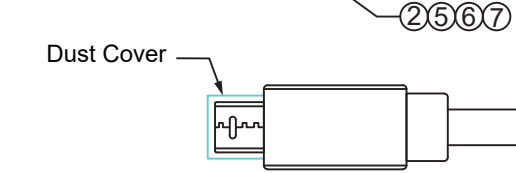
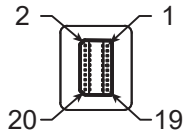
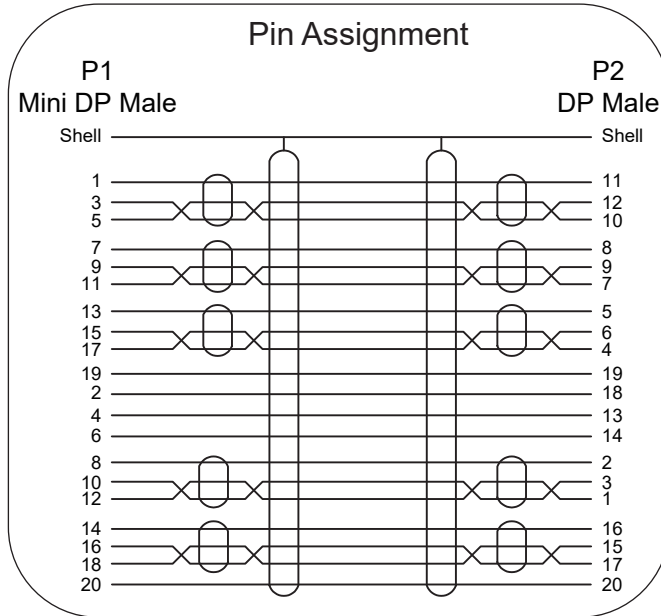
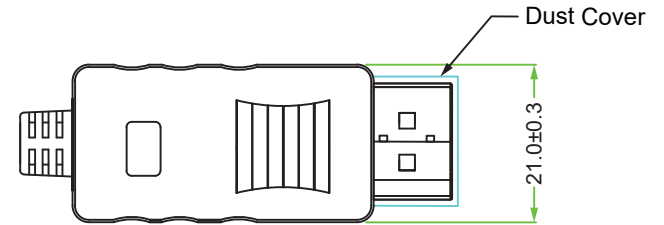
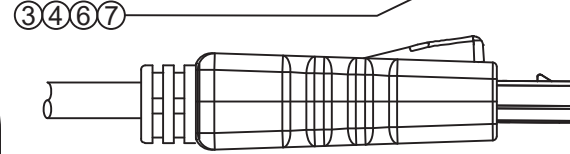
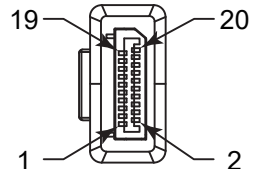


P1
Mini DP Male



L±20

P2
DP Male



Note: (Mini DP to DP Real Machine Detection)

1. Source Resolution: 7680*4320 Refresh Rate: 60Hz
2. Video Was Like No Jitter, Smearing, Ghosting, Lack of Color and Other Display Abnormalities

Specification :

- | | | |
|---|---------------|---|
| 1 | Cable | UL20276, (32AWG*1P+D+AL/MY)*5C+32AWG*4C+AL+D+B,
Jacket: PVC, Color: BLACK, OD: 6.0mm |
| 2 | Conn. | Mini DP Male, Insulator: White, Shell: Gold Plated |
| 3 | Conn. | DP Male, Insulator: Black, Shell: Gold Plated |
| 4 | Hood | For DP CONNECTOR, ABS, Color: Black |
| 5 | Hood | For Mini DP Male, ABS, Color: Black |
| 6 | Inner Molding | PE |
| 7 | Outer Molding | PVC: 45P, Color: BLACK |

Part No.	Length	Resistance
11.04.5814	1000 mm	2ohm
11.04.5815	2000 mm	2ohm

Rev.	Date	Contents of Change	Designer	Tol±								Approve	Check	Draw	Design	Product Name	ROLINE Mini DisplayPort Cable, v1.3/1.4, mDP-DP, M/M,black	
				Range	Pla	Met	Ins	Por	Cab	Pac	Gas	Dis	Allen	Allen	Kuan	Drawing Date	Product No. 11.04.5814/11.04.5815	
△				0~6	0.1	0.1	0.1	0.2	0.5	1	0.5	0.2				2017-11-20		
△				6~30	0.1	0.1	.15	.25	1	1	0.5	.25						
△				30~80	0.1	.15	0.2	0.3	2	1.5	1	0.3						
△				80~180	.15	.15	.25	0.3	2	2	1	.45						
△				180~315	.15	0.2	0.3	0.4	2.5	2	1	0.6						
△				315~800	0.2	0.3	0.4	0.5	3	3	2	1.1						
				Scale 1:1 Unit mm								SECOMP						