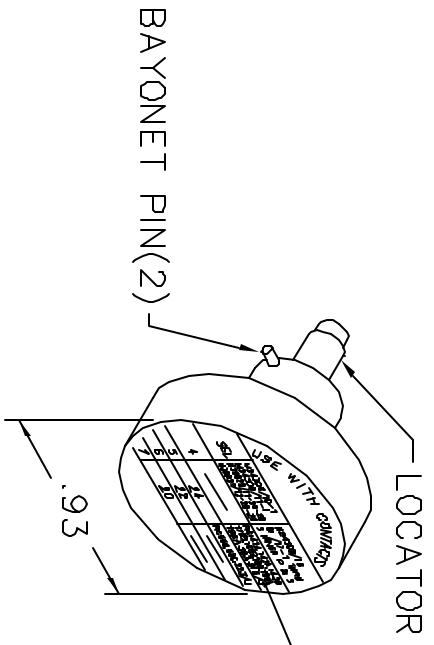
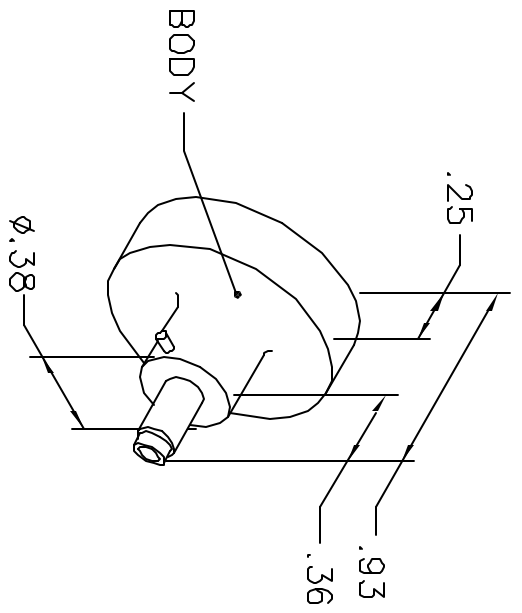


REVISIONS				
REV. SYM.	E.C.O. NUMBER	DESCRIPTION	BY DATE	APP'D DATE
2		REDRAWN	RRR 10-20-99	RRR 10-20-99

**UNCONTROLLED DOCUMENT  
WILL NOT BE UPDATED**



USE WITH CONTACTS			
SEL	M24308/10-1 M24305/11-1 M39029/11-20-20 M39029/12-20-20	M24308/16 & /17-1 THRU 5 INNER P & S	RG141A, 142A, 142B 178B, 180B, 188, 195A 196A, 303, 316/U
4	—	—	—
5	24	—	RG55B, 58C, 223/U
6	22	—	—
7	20	—	—

NOTE: FOR USE WITH DANIELS CRIMP TOOLS  
ACCOMMODATING "K" SERIES POSITIONNERS

LOCATOR	ADDITIONAL FEATURES
HOLE DIMENSIONS	$\perp \phi .078$
	$\perp .58$ MIN.

**RESTRICTED & CONFIDENTIAL**

CONFIDENTIAL PROPERTY OF DANIELS MANUFACTURING CORP. NOT TO BE DISCLOSED TO OTHERS, REPRODUCED OR USED FOR ANY OTHER PURPOSE, EXCEPT AS AUTHORIZED IN WRITING BY DANIELS MANUFACTURING. MUST BE RETURNED TO DANIELS MANUFACTURING CORP. ON COMPLETION OF ORDER OR OTHER PURPOSE FOR WHICH LENT.

DO NOT SCALE DRAWING

DRN.	BY	DATE
CHK'D.	MS	9-5-86
APP'D.	AAM	9-5-86
APP'D.		DATE

**DANIELS MANUFACTURING CORP.**  
ORLANDO, FLORIDA  
CAGE 11851

TITLE  
ENVELOPE DRAWING  
M22520/2-08 POSITIONNER

WHERE USED: AFM8

SIZE	SCALE	GAD P/N	SHEET	OF
A	NONE	K13-1-ENV	1	1
POSTING		P/N		REV.
		K13-1-ENV		2