



AMP

| [Micro Timer I](#), [Micro Timer II](#), [Micro Timer III](#), [Timer Connector System](#)

TE Internal #: 539960-1

Insertion & Extraction Tools, Contact Extraction, Contact-to-Wire, Micro Timer II

[View on TE.com >](#)

Application Tooling > Insertion & Extraction Tools



Insertion & Extraction Tool Type: **Contact Extraction**

Insertion & Extraction Tool Application: **Contact-to-Wire**

Features

Product Type Features

Insertion & Extraction Tool Type	Contact Extraction
Insertion & Extraction Tool Application	Contact-to-Wire

Product Compliance

[For compliance documentation, visit the product page on TE.com>](#)

EU RoHS Directive 2011/65/EU	Compliant
EU ELV Directive 2000/53/EC	Out of Scope
China RoHS 2 Directive MIIT Order No 32, 2016	No Restricted Materials Above Threshold
EU REACH Regulation (EC) No. 1907/2006	Current ECHA Candidate List: JUNE 2023 (235) Candidate List Declared Against: JAN 2023 (233) SVHC > Threshold: Pb (1.14% in Component Part) <small>Article Safe Usage Statements: Do not eat, drink or smoke when using this product. Wash thoroughly after handling. Recycle if possible and dispose of the article by following all applicable governmental regulations relevant to your geographic location.</small>
Halogen Content	Low Halogen - Br, Cl, F, I < 900 ppm per homogenous material. Also BFR/CFR/PVC Free
Solder Process Capability	Not applicable for solder process capability

Product Compliance Disclaimer

This information is provided based on reasonable inquiry of our suppliers and represents our current actual knowledge based on the information they provided. This information is subject to change. The part numbers that TE has identified as EU RoHS compliant have a maximum concentration of 0.1% by weight in homogenous materials for lead, hexavalent

chromium, mercury, PBB, PBDE, DBP, BBP, DEHP, DIBP, and 0.01% for cadmium, or qualify for an exemption to these limits as defined in the Annexes of Directive 2011/65/EU (RoHS2). Finished electrical and electronic equipment products will be CE marked as required by Directive 2011/65/EU. Components may not be CE marked. Additionally, the part numbers that TE has identified as EU ELV compliant have a maximum concentration of 0.1% by weight in homogenous materials for lead, hexavalent chromium, and mercury, and 0.01% for cadmium, or qualify for an exemption to these limits as defined in the Annexes of Directive 2000/53/EC (ELV). Regarding the REACH Regulation, the information TE provides on SVHC in articles for this part number is based on the latest European Chemicals Agency (ECHA) 'Guidance on requirements for substances in articles' posted at this URL: <https://echa.europa.eu/guidance-documents/guidance-on-reach>

Compatible Parts



TE Part # CAT-T4827-T273
TIMER, RECEPTACLE AND TAB



TE Part # 1-1394416-1
MT2,FL-KONTGEH 2X4P



TE Part # CAT-H3399-CH8172
Heavy Duty Sealed Connector Series
Housings



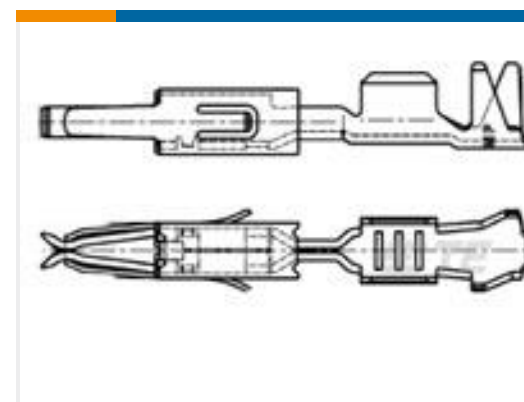
TE Part # CAT-AM705-T273
AMP MCP, RECEPTACLE AND TAB



TE Part # 964270-5
TAB A 1.6x0.6 CONTACT CS SWS Ag
(LP)



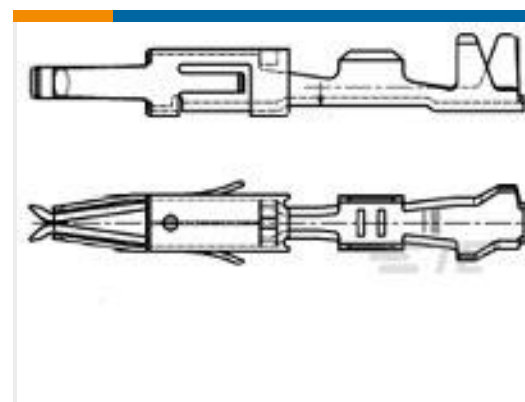
TE Part # 964270-2
TAB A 1.6x0.6 CONTACT CF SWS Sn
(LP)



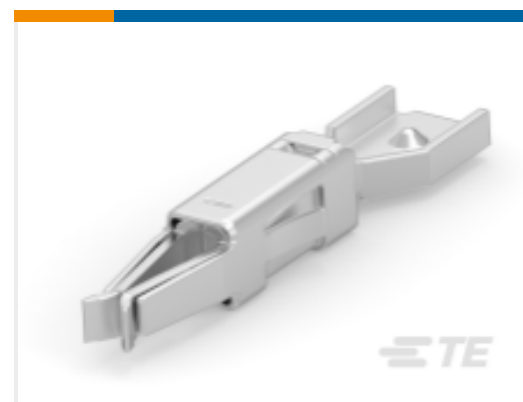
TE Part # 964275-2
MT2 A REC 1.6 Contact SWS Sn (LP)



TE Part # 2299450-1
14P TAB HOUSING ASSY



TE Part # 963711-2
MICRO TIM RECEPTACLE CONTACT



TE Part # 1989581-1
SPECIAL MICRO TIMER REC.



TE Part # 2208214-4
2POS,TAB 1.6X0.6,TAB HSG,CODA



TE Part # 4-1241732-1
MT3 REC 1.6 Contact SRC Au



TE Part # 9-2348782-1
HD MATEnet 2+6 TAB HSG ASSY,
GRP E



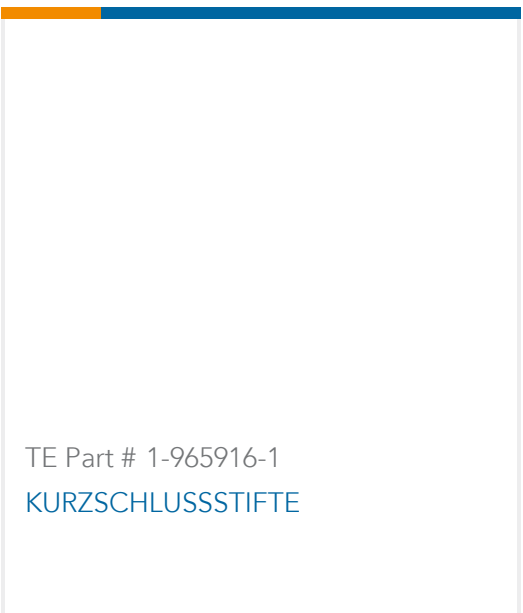
TE Part # 9-2348782-2
HD MATEnet 2+6 TAB HSG ASSY,
GRP E



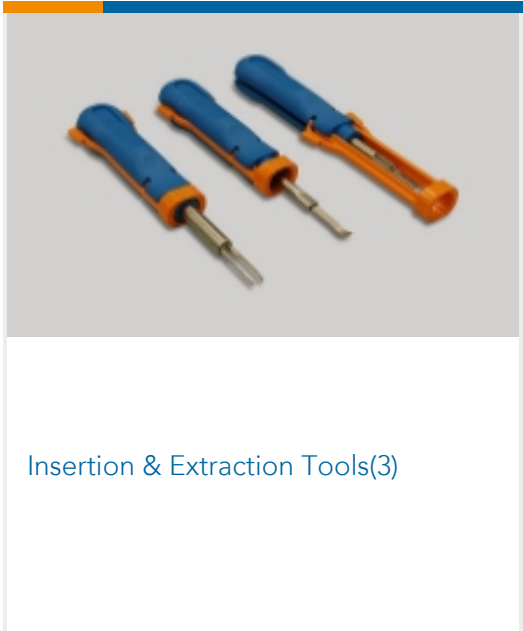
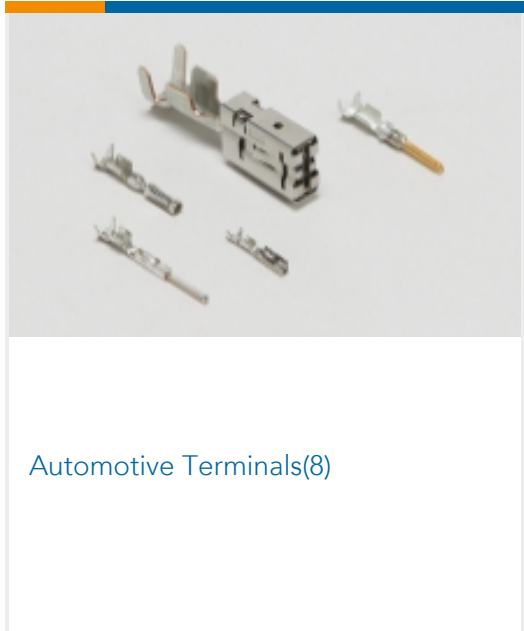
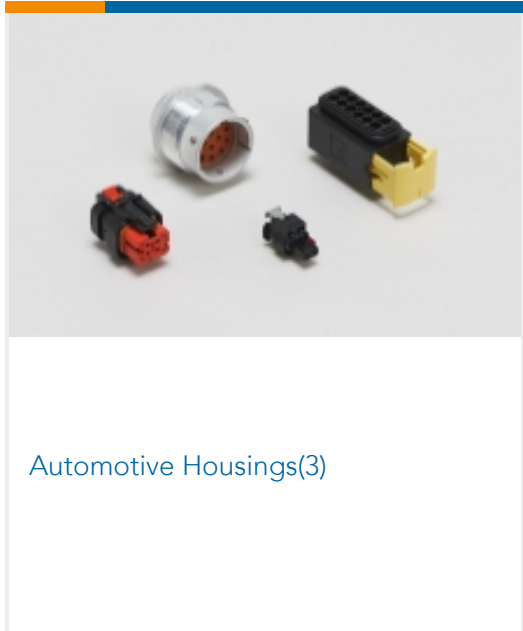
TE Part # 9-2348789-1
HD MATEnet 2+6 TAB ASSY, GRP E,
FLANGED



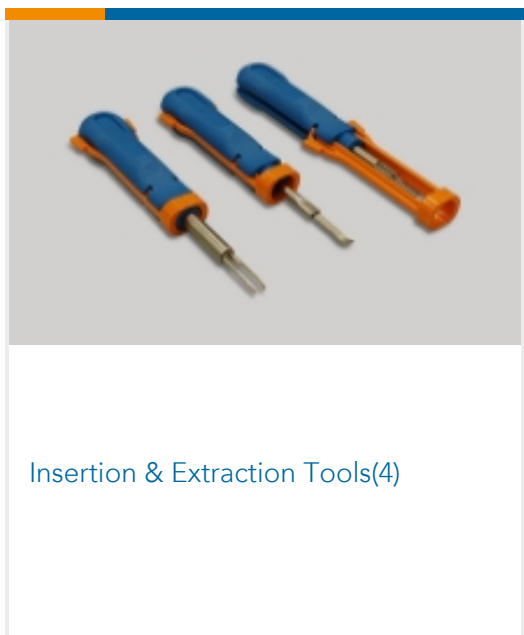
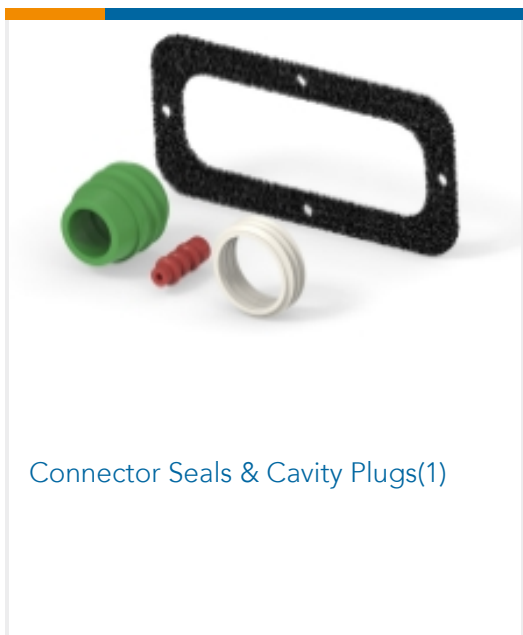
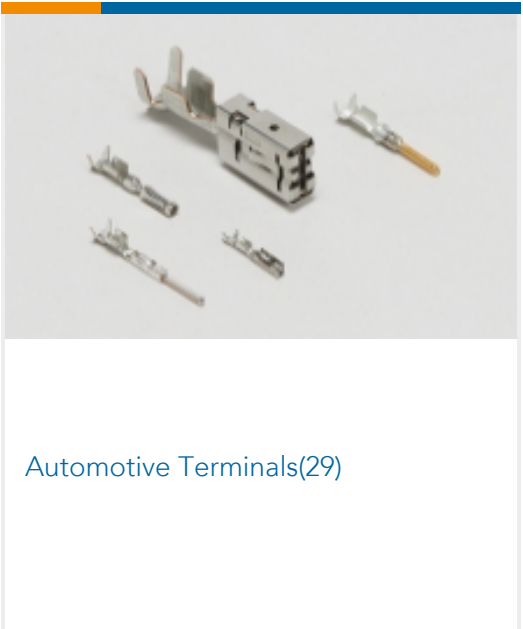
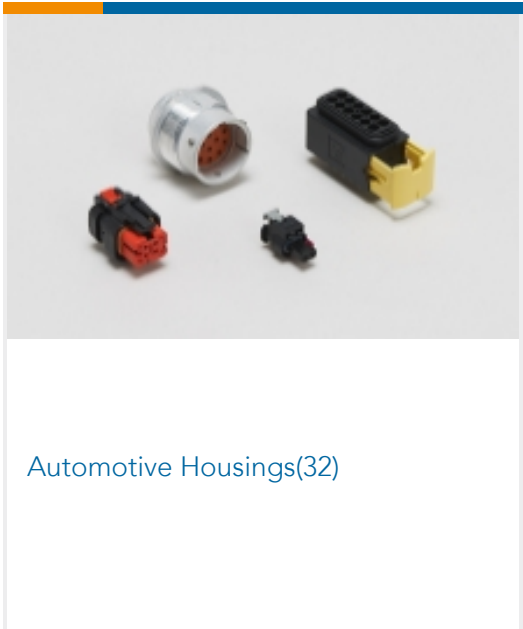
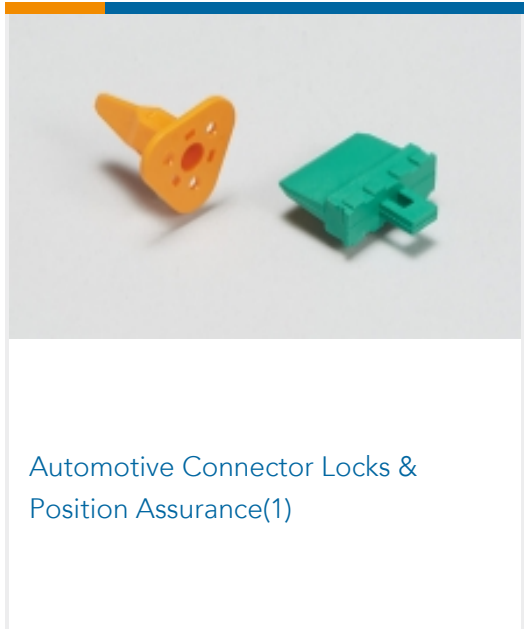
TE Part # 9-2348789-2
HD MATEnet 2+6 TAB ASSY, GRP E,
FLANGED



Also in the Series | Micro Timer I



Also in the Series | Micro Timer II



Also in the Series | Micro Timer III



Automotive Housings(6)



Automotive Terminals(9)

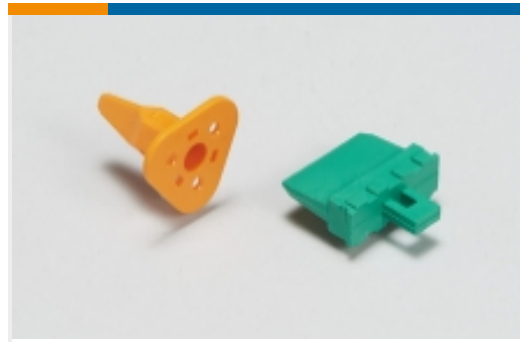


Insertion & Extraction Tools(3)

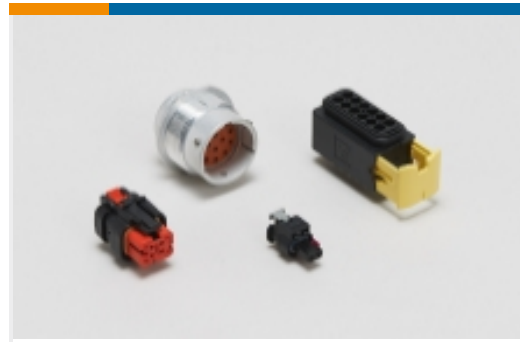
Also in the Series | Timer Connector System



Automotive Connector Caps & Covers (10)



Automotive Connector Locks & Position Assurance(14)



Automotive Housings(210)



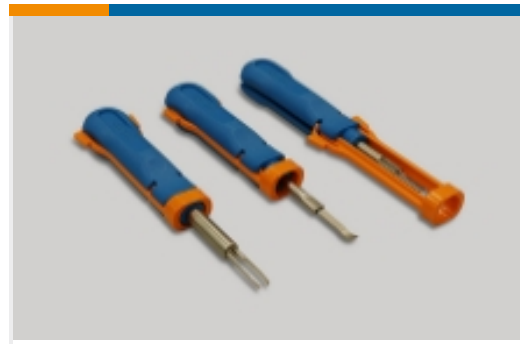
Automotive Terminals(137)



Connector Seals & Cavity Plugs(31)



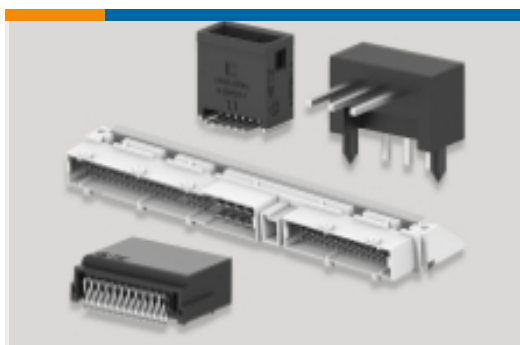
Crimp Terminal Housings(13)



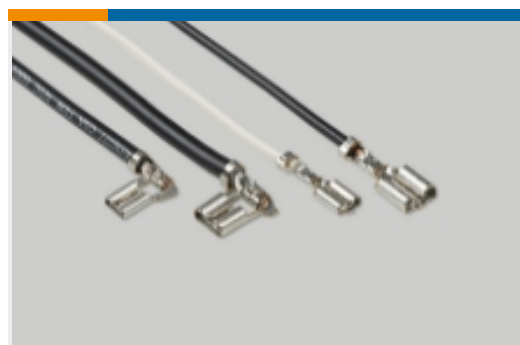
Insertion & Extraction Tools(18)



Other Automotive Connector Accessories(1)

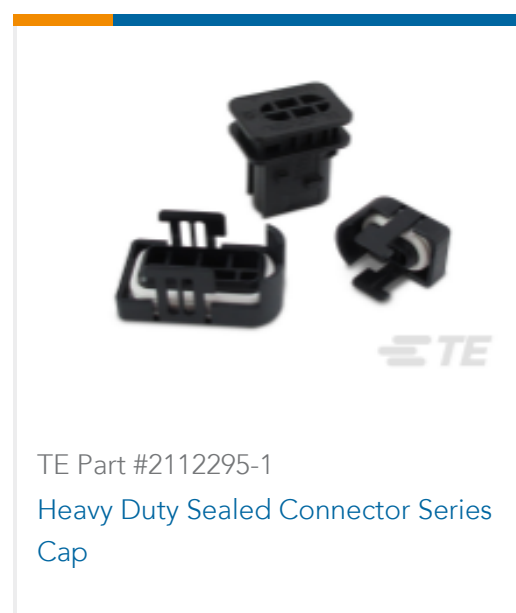


PCB Headers & Receptacles(77)



Quick Disconnects(4)

Customers Also Bought



Documents

Product Drawings

[AUSZ-WKZ,MICRO TIM.](#)

English

Datasheets & Catalog Pages

[HDSCS Catalog](#)

English

[CONNECTOR SELECTOR](#)

English

Instruction Sheets

[Instruction Sheet \(non U.S.\)](#)

French