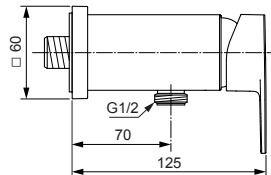
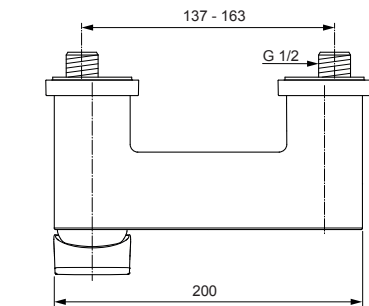
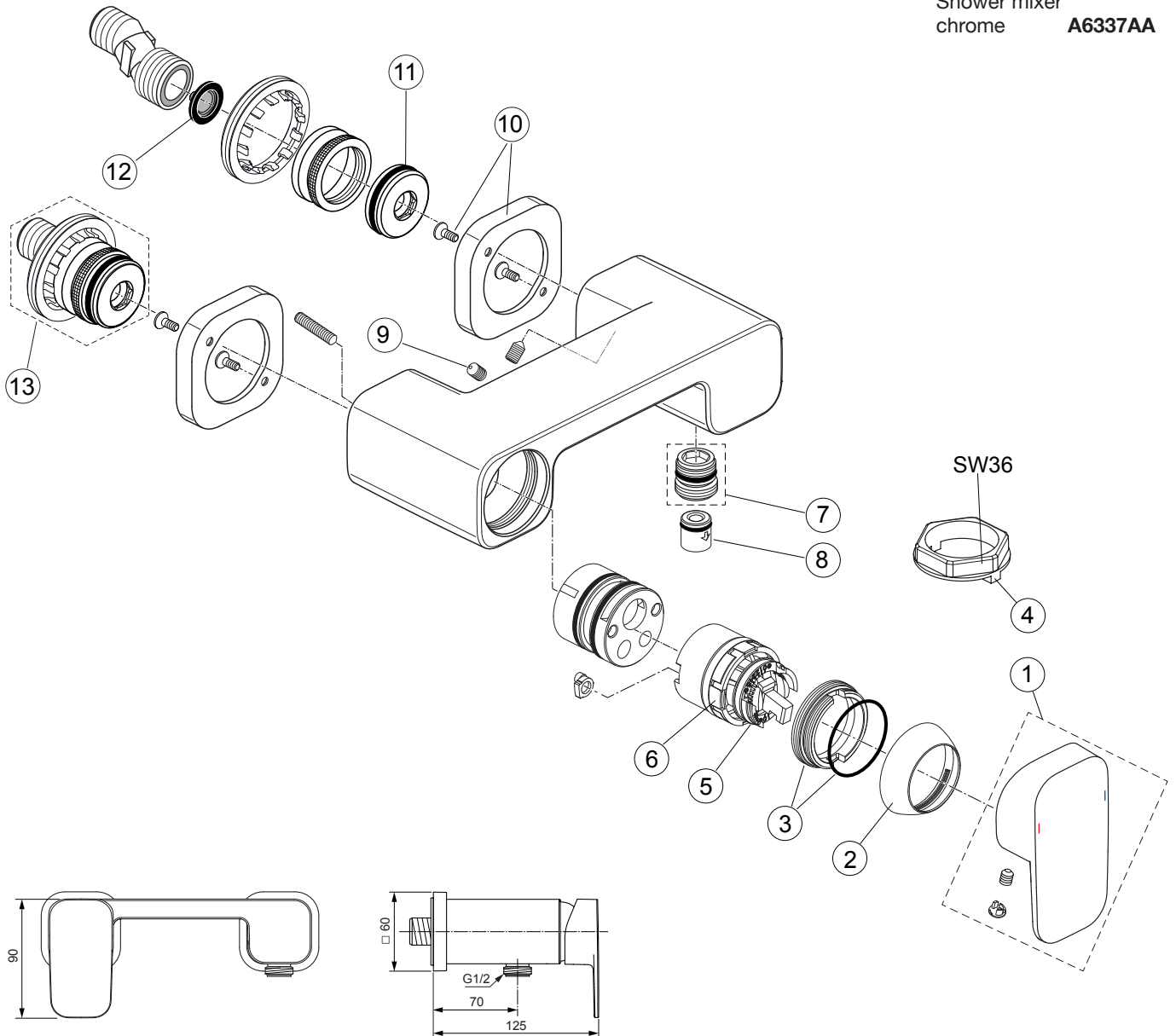


Produced from: Dec. 2020

Shower mixer
chrome **A6337AA**



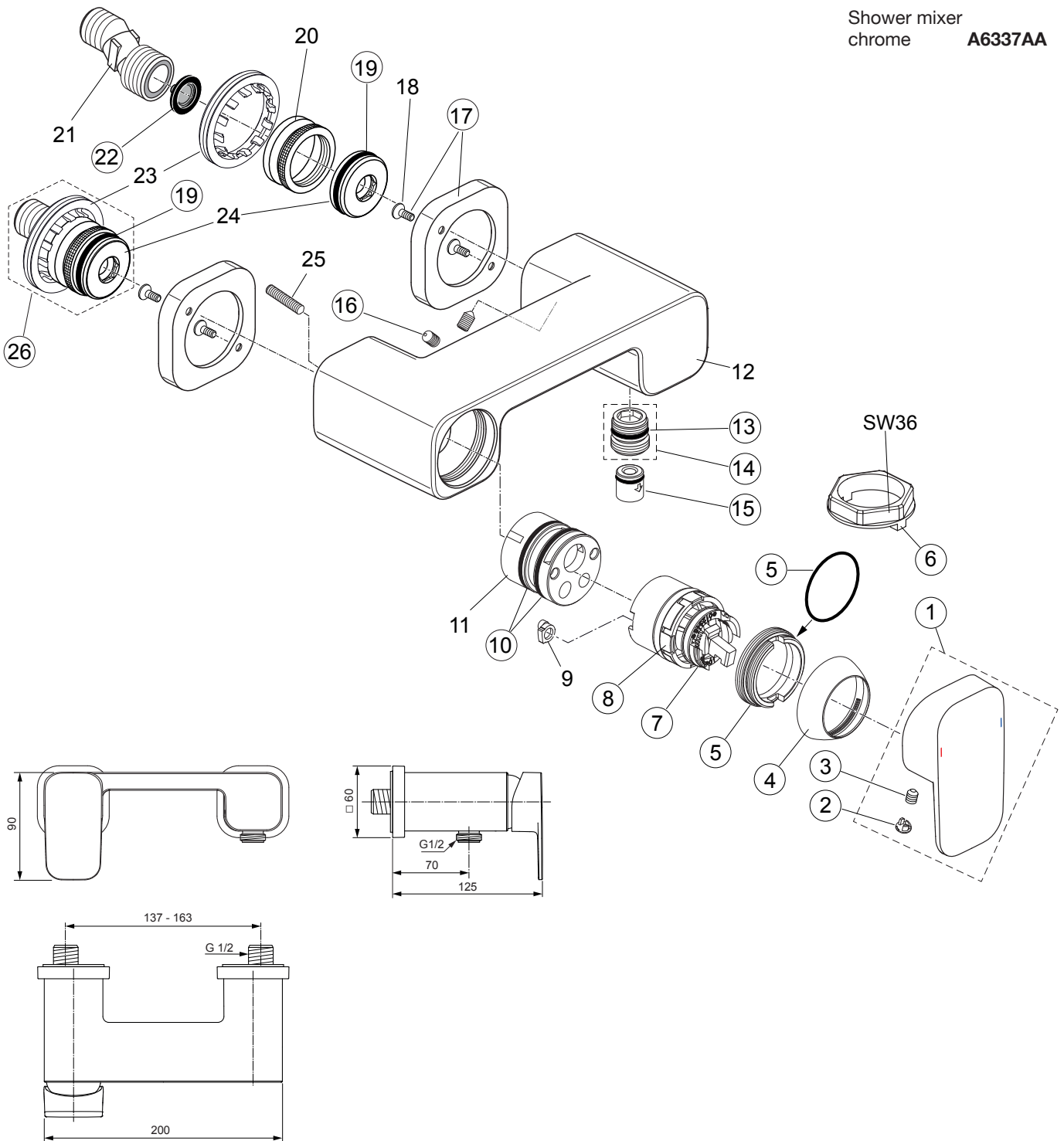
Pos.	Description	Part-Number	Qty.	Pos.	Description	Part-Number	Qty.
1	Lever cpl. with red/blue	A 861 314 AA	1 Set	11	O - ring Ø 28 x 3	A 960 071 NU	2 pcs
2	Cover cap	B 961 373 AA	1 pcs	12	Ring / strainer (screen)	A 962 595 NU	2 pcs
3	Thread ring +O-ring + Key	B 961 374 NU	1 pcs	13	S-Connector cpl.	F 961 128 NU	1 Set
4	Key for pos. 3	B 960 650 NU	1 pcs	<i>*Universal set (not all parts needed)</i>			
5	Hot limit stop	A 861 181 NU	1 pcs				
6	Cartridge Ø38 + Pos. 4	A 861 156 NU*	1 Set				
7	Nipple G1/2 cpl.	A 963 651 NU	1 Set				
8	Non-return valve DW15	A 962 594 NU	2 pcs				
9	Thread pin M6x10 DIN914	A 962 857 NU	1 pcs				
10	Ecutechon + Screw	A 860 927 AA	1 Set				

Tonic II A6337..



Produced from: **May 2018 - Nov. 2020**

Shower mixer
chrome **A6337AA**



Pos.	Description	Part-Number	Qty.	Pos.	Description	Part-Number	Qty.
1	Lever cpl. with red/blue	A 861 314 AA	1 Set	15	Non-return valve DW15	A 962 594 NU	2 pcs
2	Handle cap	B 960 473 AA	1 pcs	16	Thread pin M6x10 DIN914	A 962 857 NU	1 pcs
3	Thread pin M5x8 DIN914	A 963 309 NU	1 pcs	17	Escutcheon + Pos.18	A 860 927 AA	1 Set
4	Cover cap	B 961 373 AA	1 pcs	18	Countersunk screw M4x10		
5	Thread ring +O-ring + Key	B 961 374 NU	1 pcs	19	O - ring Ø 28 x 3	A 960 071 NU	2 pcs
6	Key for pos. 5	B 960 650 NU	1 pcs	20	Lock nut G3/4		
7	Hot limit stop	A 861 181 NU	1 pcs	21	S-Connector		
8	Cartridge Ø38 + Pos. 6 + 9	A 861 156 NU*	1 Set	22	Ring / strainer (screen)	A 962 595 NU	2 pcs
9	Pin (contained in Pos. 8)			23	Plastic ring for escutcheon		
10	O - ring Ø 33,05 x 1,78	A 860 926 NU	2 pcs	24	Coupling nut G3/4		
11	Manifold			25	Thread pin M5x25 DIN914		
12	Body			26	S-Connector cpl.	F 961 128 NU	1 Set
13	O - ring Ø 17 x 2	A 961 810 NU	2 pcs				
14	Nipple G1/2 cpl.	A 963 651 NU	1 Set				

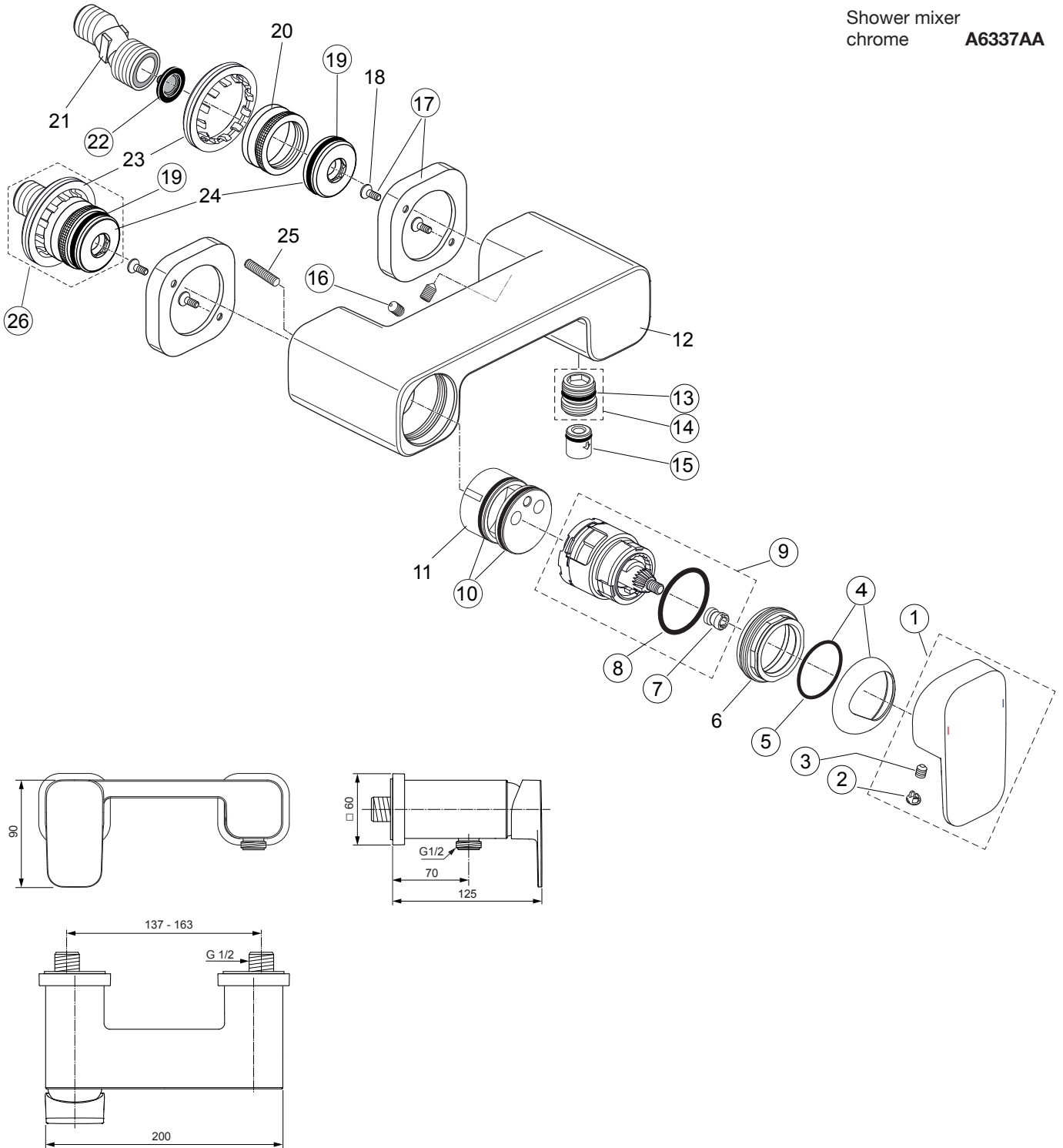
*Universal set (not all parts needed)

Tonic II A6337..



Produced from: **March 2015 - April 2018**

Shower mixer
chrome **A6337AA**



Pos.	Description	Part-Number	Qty.	Pos.	Description	Part-Number	Qty.
1	Lever cpl. with red/blue	A 860 925 AA	1 Set	14	Nipple G1/2 cpl.	A 963 651 NU	1 Set
2	Handle cap	B 960 473 AA	1 pcs	15	Non-return valve DW15	A 962 594 NU	2 pcs
3	Thread pin M5x6 DIN914	A 860 603 NU	1 pcs	16	Thread pin M6x10 DIN914	A 962 857 NU	1 pcs
4	Cover cap with o-ring	F 960 874 AA	1 Set	17	Escutcheon + Pos.18	A 860 927 AA	1 Set
5	O - ring Ø 28,3 x 1,78	A 961 667 NU	2 pcs	18	Countersunk screw M4x10		
6	Thread ring M43 x 1,5			19	O - ring Ø 28 x 3	A 960 071 NU	2 pcs
7	Handle adapter	A 963 372 NU	1 pcs	20	Lock nut G3/4		
8	O - ring Ø 35 x 3,2	A 962 715 NU	1 pcs	21	S-Connector		
9	Cartridge Multiport cpl.	A 962 716 NU	1 Set	22	Ring / strainer (screen)	A 962 595 NU	2 pcs
10	O - ring Ø 33,05 x 1,78	A 860 926 NU	2 pcs	23	Plastic ring for escutcheon		
11	Manifold			24	Coupling nut G3/4		
12	Body			25	Thread pin M5x25 DIN914		
13	O - ring Ø 17 x 2	A 961 810 NU	2 pcs	26	S-Connector cpl.	F 961 128 NU	1 Set