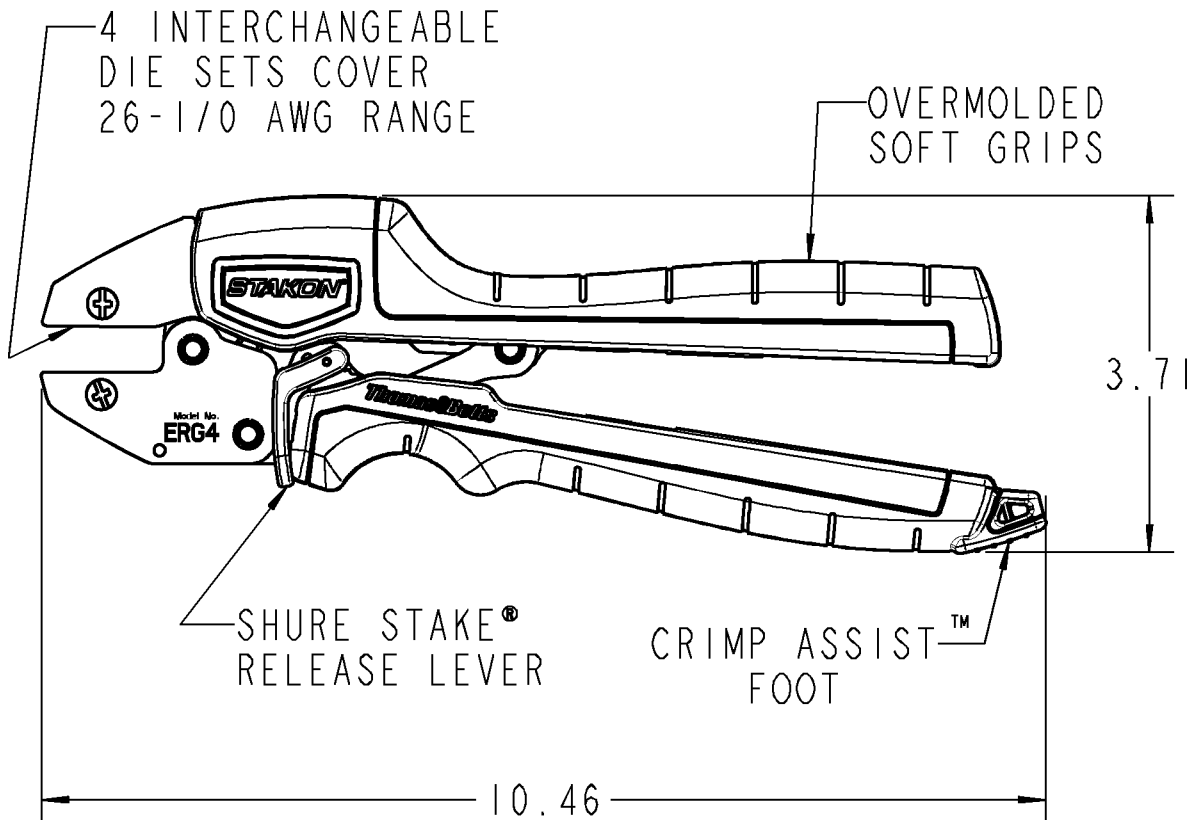


FOR INSTALLING STAKON® FERRULES ON COPPER WIRE 26-1/0 AWG. TOOL KIT INCLUDES 4 DIE SETS AND CRIMP TOOL PACKAGED IN PLASTIC CASE.



CAUTION: HANDLES NON-INSULATING, DO NOT CRIMP ENERGIZED WIRES

GENERAL NOTES		STAKON®		Thomas & Betts www.tnb.com	
1. ALL DIMENSIONS ARE FOR REFERENCE ONLY. 2. DIMENSIONS IN BRACKETS [] ARE IN METRIC UNITS.					
REVISIONS		DESCRIPTION: ERG4 COMFORT CRIMP COMPRESSION TOOL KIT WITH SHURE STAKE MECHANISM			
1. SEE ERN 2013331 FOR APPROVAL SIGNATURES & RELEASE DATE. PROJECT NO: TM400343					
ORIGINAL PROJECT NO / (ERN NO)		SHEET NO:	REV. NO:	DRAWING NO:	
TD55632 / (2010868)		1 OF 1	1	WSD-000505	