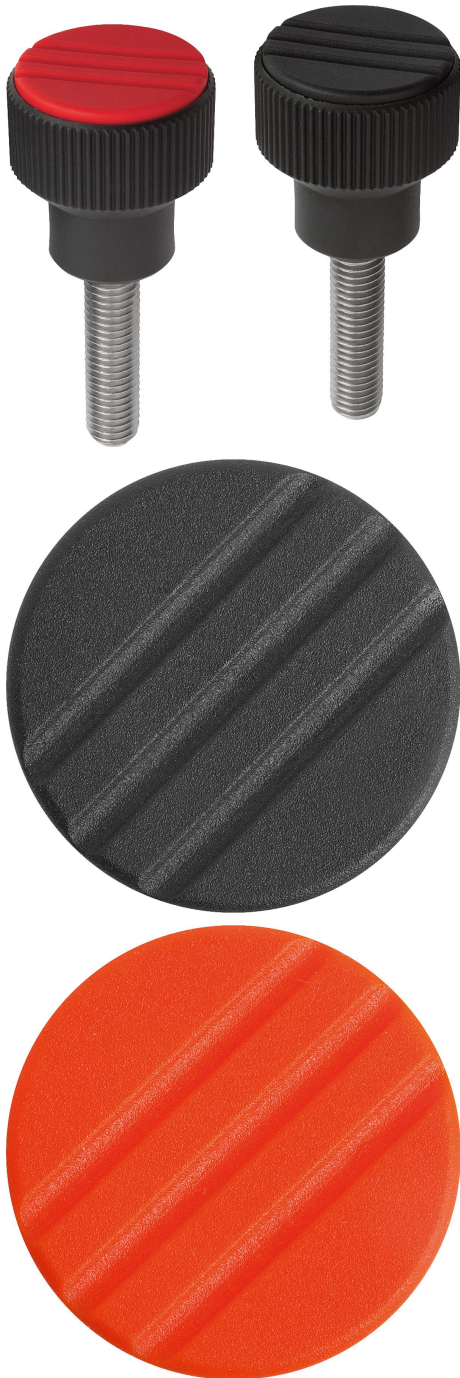


Rändelknöpfe mit Außengewinde

Artikelbeschreibung/Produktabbildungen



Beschreibung

Werkstoff:

Thermoplast, schwarzgrau.

Buchse bzw. Gewindebolzen aus Stahl 5.8 oder Edelstahl 1.4305.

Ausführung:

Stahl blau passiviert oder Edelstahl blank.

Rändelknöpfe mit Außengewinde

Artikelbeschreibung/Produktabbildungen



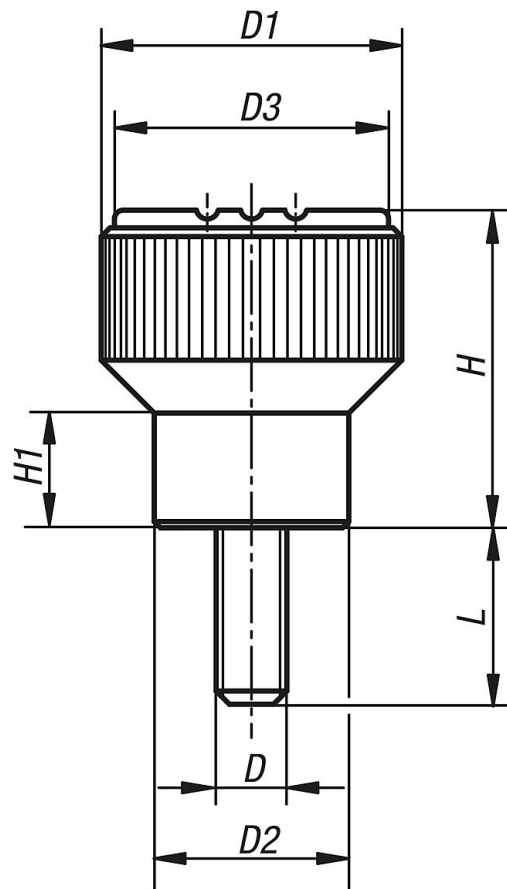
Rändelknöpfe mit Außengewinde

Artikelbeschreibung/Produktabbildungen



Rändelknöpfe mit Außengewinde

Zeichnungen



Artikelübersicht

| Bestellnummer | Material | Farbe Deckel | D | D1 | D2 | D3 | H | H1 | L |
|---------------|----------|-----------------------|----|----|----|----|----|----|----|
| K0247.105X10 | Stahl | schwarzgrau RAL 7021 | M5 | 21 | 14 | 19 | 22 | 8 | 10 |
| K0247.1051X10 | Stahl | reinorange RAL 2004 | M5 | 21 | 14 | 19 | 22 | 8 | 10 |
| K0247.1052X10 | Stahl | signalgrün RAL 6032 | M5 | 21 | 14 | 19 | 22 | 8 | 10 |
| K0247.1053X10 | Stahl | verkehrsblau RAL 5017 | M5 | 21 | 14 | 19 | 22 | 8 | 10 |
| K0247.1055X10 | Stahl | lichtgrau RAL 7035 | M5 | 21 | 14 | 19 | 22 | 8 | 10 |
| K0247.1056X10 | Stahl | verkehrsrot RAL 3020 | M5 | 21 | 14 | 19 | 22 | 8 | 10 |
| K0247.1057X10 | Stahl | rapsgelb RAL 1021 | M5 | 21 | 14 | 19 | 22 | 8 | 10 |
| K0247.105X12 | Stahl | schwarzgrau RAL 7021 | M5 | 21 | 14 | 19 | 22 | 8 | 12 |
| K0247.1051X12 | Stahl | reinorange RAL 2004 | M5 | 21 | 14 | 19 | 22 | 8 | 12 |
| K0247.1052X12 | Stahl | signalgrün RAL 6032 | M5 | 21 | 14 | 19 | 22 | 8 | 12 |
| K0247.1053X12 | Stahl | verkehrsblau RAL 5017 | M5 | 21 | 14 | 19 | 22 | 8 | 12 |
| K0247.1055X12 | Stahl | lichtgrau RAL 7035 | M5 | 21 | 14 | 19 | 22 | 8 | 12 |
| K0247.1056X12 | Stahl | verkehrsrot RAL 3020 | M5 | 21 | 14 | 19 | 22 | 8 | 12 |
| K0247.1057X12 | Stahl | rapsgelb RAL 1021 | M5 | 21 | 14 | 19 | 22 | 8 | 12 |
| K0247.105X15 | Stahl | schwarzgrau RAL 7021 | M5 | 21 | 14 | 19 | 22 | 8 | 15 |
| K0247.1051X15 | Stahl | reinorange RAL 2004 | M5 | 21 | 14 | 19 | 22 | 8 | 15 |
| K0247.1052X15 | Stahl | signalgrün RAL 6032 | M5 | 21 | 14 | 19 | 22 | 8 | 15 |
| K0247.1053X15 | Stahl | verkehrsblau RAL 5017 | M5 | 21 | 14 | 19 | 22 | 8 | 15 |
| K0247.1055X15 | Stahl | lichtgrau RAL 7035 | M5 | 21 | 14 | 19 | 22 | 8 | 15 |
| K0247.1056X15 | Stahl | verkehrsrot RAL 3020 | M5 | 21 | 14 | 19 | 22 | 8 | 15 |
| K0247.1057X15 | Stahl | rapsgelb RAL 1021 | M5 | 21 | 14 | 19 | 22 | 8 | 15 |
| K0247.105X20 | Stahl | schwarzgrau RAL 7021 | M5 | 21 | 14 | 19 | 22 | 8 | 20 |
| K0247.1051X20 | Stahl | reinorange RAL 2004 | M5 | 21 | 14 | 19 | 22 | 8 | 20 |
| K0247.1052X20 | Stahl | signalgrün RAL 6032 | M5 | 21 | 14 | 19 | 22 | 8 | 20 |
| K0247.1053X20 | Stahl | verkehrsblau RAL 5017 | M5 | 21 | 14 | 19 | 22 | 8 | 20 |

Rändelknöpfe mit Außengewinde

Artikelübersicht

| Bestellnummer | Material | Farbe Deckel | D | D1 | D2 | D3 | H | H1 | L |
|---------------|----------|-----------------------|----|----|----|----|----|-----|----|
| K0247.1055X20 | Stahl | lichtgrau RAL 7035 | M5 | 21 | 14 | 19 | 22 | 8 | 20 |
| K0247.1056X20 | Stahl | verkehrsrot RAL 3020 | M5 | 21 | 14 | 19 | 22 | 8 | 20 |
| K0247.1057X20 | Stahl | rapsgelb RAL 1021 | M5 | 21 | 14 | 19 | 22 | 8 | 20 |
| K0247.105X25 | Stahl | schwarzgrau RAL 7021 | M5 | 21 | 14 | 19 | 22 | 8 | 25 |
| K0247.1051X25 | Stahl | reinorange RAL 2004 | M5 | 21 | 14 | 19 | 22 | 8 | 25 |
| K0247.1052X25 | Stahl | signalgrün RAL 6032 | M5 | 21 | 14 | 19 | 22 | 8 | 25 |
| K0247.1053X25 | Stahl | verkehrsblau RAL 5017 | M5 | 21 | 14 | 19 | 22 | 8 | 25 |
| K0247.1055X25 | Stahl | lichtgrau RAL 7035 | M5 | 21 | 14 | 19 | 22 | 8 | 25 |
| K0247.1056X25 | Stahl | verkehrsrot RAL 3020 | M5 | 21 | 14 | 19 | 22 | 8 | 25 |
| K0247.1057X25 | Stahl | rapsgelb RAL 1021 | M5 | 21 | 14 | 19 | 22 | 8 | 25 |
| K0247.106X15 | Stahl | schwarzgrau RAL 7021 | M6 | 21 | 14 | 19 | 22 | 8 | 15 |
| K0247.1061X15 | Stahl | reinorange RAL 2004 | M6 | 21 | 14 | 19 | 22 | 8 | 15 |
| K0247.1062X15 | Stahl | signalgrün RAL 6032 | M6 | 21 | 14 | 19 | 22 | 8 | 15 |
| K0247.1063X15 | Stahl | verkehrsblau RAL 5017 | M6 | 21 | 14 | 19 | 22 | 8 | 15 |
| K0247.1065X15 | Stahl | lichtgrau RAL 7035 | M6 | 21 | 14 | 19 | 22 | 8 | 15 |
| K0247.1066X15 | Stahl | verkehrsrot RAL 3020 | M6 | 21 | 14 | 19 | 22 | 8 | 15 |
| K0247.1067X15 | Stahl | rapsgelb RAL 1021 | M6 | 21 | 14 | 19 | 22 | 8 | 15 |
| K0247.106X20 | Stahl | schwarzgrau RAL 7021 | M6 | 21 | 14 | 19 | 22 | 8 | 20 |
| K0247.1061X20 | Stahl | reinorange RAL 2004 | M6 | 21 | 14 | 19 | 22 | 8 | 20 |
| K0247.1062X20 | Stahl | signalgrün RAL 6032 | M6 | 21 | 14 | 19 | 22 | 8 | 20 |
| K0247.1063X20 | Stahl | verkehrsblau RAL 5017 | M6 | 21 | 14 | 19 | 22 | 8 | 20 |
| K0247.1065X20 | Stahl | lichtgrau RAL 7035 | M6 | 21 | 14 | 19 | 22 | 8 | 20 |
| K0247.1066X20 | Stahl | verkehrsrot RAL 3020 | M6 | 21 | 14 | 19 | 22 | 8 | 20 |
| K0247.1067X20 | Stahl | rapsgelb RAL 1021 | M6 | 21 | 14 | 19 | 22 | 8 | 20 |
| K0247.106X25 | Stahl | schwarzgrau RAL 7021 | M6 | 21 | 14 | 19 | 22 | 8 | 25 |
| K0247.1061X25 | Stahl | reinorange RAL 2004 | M6 | 21 | 14 | 19 | 22 | 8 | 25 |
| K0247.1062X25 | Stahl | signalgrün RAL 6032 | M6 | 21 | 14 | 19 | 22 | 8 | 25 |
| K0247.1063X25 | Stahl | verkehrsblau RAL 5017 | M6 | 21 | 14 | 19 | 22 | 8 | 25 |
| K0247.1065X25 | Stahl | lichtgrau RAL 7035 | M6 | 21 | 14 | 19 | 22 | 8 | 25 |
| K0247.1066X25 | Stahl | verkehrsrot RAL 3020 | M6 | 21 | 14 | 19 | 22 | 8 | 25 |
| K0247.1067X25 | Stahl | rapsgelb RAL 1021 | M6 | 21 | 14 | 19 | 22 | 8 | 25 |
| K0247.106X30 | Stahl | schwarzgrau RAL 7021 | M6 | 21 | 14 | 19 | 22 | 8 | 30 |
| K0247.1061X30 | Stahl | reinorange RAL 2004 | M6 | 21 | 14 | 19 | 22 | 8 | 30 |
| K0247.1062X30 | Stahl | signalgrün RAL 6032 | M6 | 21 | 14 | 19 | 22 | 8 | 30 |
| K0247.1063X30 | Stahl | verkehrsblau RAL 5017 | M6 | 21 | 14 | 19 | 22 | 8 | 30 |
| K0247.1065X30 | Stahl | lichtgrau RAL 7035 | M6 | 21 | 14 | 19 | 22 | 8 | 30 |
| K0247.1066X30 | Stahl | verkehrsrot RAL 3020 | M6 | 21 | 14 | 19 | 22 | 8 | 30 |
| K0247.1067X30 | Stahl | rapsgelb RAL 1021 | M6 | 21 | 14 | 19 | 22 | 8 | 30 |
| K0247.208X20 | Stahl | schwarzgrau RAL 7021 | M8 | 26 | 18 | 23 | 26 | 9,5 | 20 |
| K0247.2081X20 | Stahl | reinorange RAL 2004 | M8 | 26 | 18 | 23 | 26 | 9,5 | 20 |
| K0247.2082X20 | Stahl | signalgrün RAL 6032 | M8 | 26 | 18 | 23 | 26 | 9,5 | 20 |
| K0247.2083X20 | Stahl | verkehrsblau RAL 5017 | M8 | 26 | 18 | 23 | 26 | 9,5 | 20 |
| K0247.2085X20 | Stahl | lichtgrau RAL 7035 | M8 | 26 | 18 | 23 | 26 | 9,5 | 20 |
| K0247.2086X20 | Stahl | verkehrsrot RAL 3020 | M8 | 26 | 18 | 23 | 26 | 9,5 | 20 |
| K0247.2087X20 | Stahl | rapsgelb RAL 1021 | M8 | 26 | 18 | 23 | 26 | 9,5 | 20 |
| K0247.208X25 | Stahl | schwarzgrau RAL 7021 | M8 | 26 | 18 | 23 | 26 | 9,5 | 25 |
| K0247.2081X25 | Stahl | reinorange RAL 2004 | M8 | 26 | 18 | 23 | 26 | 9,5 | 25 |
| K0247.2082X25 | Stahl | signalgrün RAL 6032 | M8 | 26 | 18 | 23 | 26 | 9,5 | 25 |
| K0247.2083X25 | Stahl | verkehrsblau RAL 5017 | M8 | 26 | 18 | 23 | 26 | 9,5 | 25 |
| K0247.2085X25 | Stahl | lichtgrau RAL 7035 | M8 | 26 | 18 | 23 | 26 | 9,5 | 25 |
| K0247.2086X25 | Stahl | verkehrsrot RAL 3020 | M8 | 26 | 18 | 23 | 26 | 9,5 | 25 |
| K0247.2087X25 | Stahl | rapsgelb RAL 1021 | M8 | 26 | 18 | 23 | 26 | 9,5 | 25 |
| K0247.208X30 | Stahl | schwarzgrau RAL 7021 | M8 | 26 | 18 | 23 | 26 | 9,5 | 30 |
| K0247.2081X30 | Stahl | reinorange RAL 2004 | M8 | 26 | 18 | 23 | 26 | 9,5 | 30 |
| K0247.2082X30 | Stahl | signalgrün RAL 6032 | M8 | 26 | 18 | 23 | 26 | 9,5 | 30 |
| K0247.2083X30 | Stahl | verkehrsblau RAL 5017 | M8 | 26 | 18 | 23 | 26 | 9,5 | 30 |
| K0247.2085X30 | Stahl | lichtgrau RAL 7035 | M8 | 26 | 18 | 23 | 26 | 9,5 | 30 |
| K0247.2086X30 | Stahl | verkehrsrot RAL 3020 | M8 | 26 | 18 | 23 | 26 | 9,5 | 30 |
| K0247.2087X30 | Stahl | rapsgelb RAL 1021 | M8 | 26 | 18 | 23 | 26 | 9,5 | 30 |
| K0247.208X40 | Stahl | schwarzgrau RAL 7021 | M8 | 26 | 18 | 23 | 26 | 9,5 | 40 |
| K0247.2081X40 | Stahl | reinorange RAL 2004 | M8 | 26 | 18 | 23 | 26 | 9,5 | 40 |
| K0247.2082X40 | Stahl | signalgrün RAL 6032 | M8 | 26 | 18 | 23 | 26 | 9,5 | 40 |

Rändelknöpfe mit Außengewinde

Artikelübersicht

| Bestellnummer | Material | Farbe Deckel | D | D1 | D2 | D3 | H | H1 | L |
|----------------|-----------|-----------------------|-----|----|----|----|----|-----|----|
| K0247.2083X40 | Stahl | verkehrsblau RAL 5017 | M8 | 26 | 18 | 23 | 26 | 9,5 | 40 |
| K0247.2085X40 | Stahl | lichtgrau RAL 7035 | M8 | 26 | 18 | 23 | 26 | 9,5 | 40 |
| K0247.2086X40 | Stahl | verkehrsrot RAL 3020 | M8 | 26 | 18 | 23 | 26 | 9,5 | 40 |
| K0247.2087X40 | Stahl | rapsgelb RAL 1021 | M8 | 26 | 18 | 23 | 26 | 9,5 | 40 |
| K0247.310X20 | Stahl | schwarzgrau RAL 7021 | M10 | 34 | 22 | 31 | 36 | 13 | 20 |
| K0247.3101X20 | Stahl | reinorange RAL 2004 | M10 | 34 | 22 | 31 | 36 | 13 | 20 |
| K0247.3102X20 | Stahl | signalgrün RAL 6032 | M10 | 34 | 22 | 31 | 36 | 13 | 20 |
| K0247.3103X20 | Stahl | verkehrsblau RAL 5017 | M10 | 34 | 22 | 31 | 36 | 13 | 20 |
| K0247.3105X20 | Stahl | lichtgrau RAL 7035 | M10 | 34 | 22 | 31 | 36 | 13 | 20 |
| K0247.3106X20 | Stahl | verkehrsrot RAL 3020 | M10 | 34 | 22 | 31 | 36 | 13 | 20 |
| K0247.3107X20 | Stahl | rapsgelb RAL 1021 | M10 | 34 | 22 | 31 | 36 | 13 | 20 |
| K0247.310X30 | Stahl | schwarzgrau RAL 7021 | M10 | 34 | 22 | 31 | 36 | 13 | 30 |
| K0247.3101X30 | Stahl | reinorange RAL 2004 | M10 | 34 | 22 | 31 | 36 | 13 | 30 |
| K0247.3102X30 | Stahl | signalgrün RAL 6032 | M10 | 34 | 22 | 31 | 36 | 13 | 30 |
| K0247.3103X30 | Stahl | verkehrsblau RAL 5017 | M10 | 34 | 22 | 31 | 36 | 13 | 30 |
| K0247.3105X30 | Stahl | lichtgrau RAL 7035 | M10 | 34 | 22 | 31 | 36 | 13 | 30 |
| K0247.3106X30 | Stahl | verkehrsrot RAL 3020 | M10 | 34 | 22 | 31 | 36 | 13 | 30 |
| K0247.3107X30 | Stahl | rapsgelb RAL 1021 | M10 | 34 | 22 | 31 | 36 | 13 | 30 |
| K0247.310X40 | Stahl | schwarzgrau RAL 7021 | M10 | 34 | 22 | 31 | 36 | 13 | 40 |
| K0247.3101X40 | Stahl | reinorange RAL 2004 | M10 | 34 | 22 | 31 | 36 | 13 | 40 |
| K0247.3102X40 | Stahl | signalgrün RAL 6032 | M10 | 34 | 22 | 31 | 36 | 13 | 40 |
| K0247.3103X40 | Stahl | verkehrsblau RAL 5017 | M10 | 34 | 22 | 31 | 36 | 13 | 40 |
| K0247.3105X40 | Stahl | lichtgrau RAL 7035 | M10 | 34 | 22 | 31 | 36 | 13 | 40 |
| K0247.3106X40 | Stahl | verkehrsrot RAL 3020 | M10 | 34 | 22 | 31 | 36 | 13 | 40 |
| K0247.3107X40 | Stahl | rapsgelb RAL 1021 | M10 | 34 | 22 | 31 | 36 | 13 | 40 |
| K0247.0105X10 | Edelstahl | schwarzgrau RAL 7021 | M5 | 21 | 14 | 19 | 22 | 8 | 10 |
| K0247.01051X10 | Edelstahl | reinorange RAL 2004 | M5 | 21 | 14 | 19 | 22 | 8 | 10 |
| K0247.01052X10 | Edelstahl | signalgrün RAL 6032 | M5 | 21 | 14 | 19 | 22 | 8 | 10 |
| K0247.01053X10 | Edelstahl | verkehrsblau RAL 5017 | M5 | 21 | 14 | 19 | 22 | 8 | 10 |
| K0247.01055X10 | Edelstahl | lichtgrau RAL 7035 | M5 | 21 | 14 | 19 | 22 | 8 | 10 |
| K0247.01056X10 | Edelstahl | verkehrsrot RAL 3020 | M5 | 21 | 14 | 19 | 22 | 8 | 10 |
| K0247.01057X10 | Edelstahl | rapsgelb RAL 1021 | M5 | 21 | 14 | 19 | 22 | 8 | 10 |
| K0247.0105X12 | Edelstahl | schwarzgrau RAL 7021 | M5 | 21 | 14 | 19 | 22 | 8 | 12 |
| K0247.01051X12 | Edelstahl | reinorange RAL 2004 | M5 | 21 | 14 | 19 | 22 | 8 | 12 |
| K0247.01052X12 | Edelstahl | signalgrün RAL 6032 | M5 | 21 | 14 | 19 | 22 | 8 | 12 |
| K0247.01053X12 | Edelstahl | verkehrsblau RAL 5017 | M5 | 21 | 14 | 19 | 22 | 8 | 12 |
| K0247.01055X12 | Edelstahl | lichtgrau RAL 7035 | M5 | 21 | 14 | 19 | 22 | 8 | 12 |
| K0247.01056X12 | Edelstahl | verkehrsrot RAL 3020 | M5 | 21 | 14 | 19 | 22 | 8 | 12 |
| K0247.01057X12 | Edelstahl | rapsgelb RAL 1021 | M5 | 21 | 14 | 19 | 22 | 8 | 12 |
| K0247.0105X15 | Edelstahl | schwarzgrau RAL 7021 | M5 | 21 | 14 | 19 | 22 | 8 | 15 |
| K0247.01051X15 | Edelstahl | reinorange RAL 2004 | M5 | 21 | 14 | 19 | 22 | 8 | 15 |
| K0247.01052X15 | Edelstahl | signalgrün RAL 6032 | M5 | 21 | 14 | 19 | 22 | 8 | 15 |
| K0247.01053X15 | Edelstahl | verkehrsblau RAL 5017 | M5 | 21 | 14 | 19 | 22 | 8 | 15 |
| K0247.01055X15 | Edelstahl | lichtgrau RAL 7035 | M5 | 21 | 14 | 19 | 22 | 8 | 15 |
| K0247.01056X15 | Edelstahl | verkehrsrot RAL 3020 | M5 | 21 | 14 | 19 | 22 | 8 | 15 |
| K0247.01057X15 | Edelstahl | rapsgelb RAL 1021 | M5 | 21 | 14 | 19 | 22 | 8 | 15 |
| K0247.0105X20 | Edelstahl | schwarzgrau RAL 7021 | M5 | 21 | 14 | 19 | 22 | 8 | 20 |
| K0247.01051X20 | Edelstahl | reinorange RAL 2004 | M5 | 21 | 14 | 19 | 22 | 8 | 20 |
| K0247.01052X20 | Edelstahl | signalgrün RAL 6032 | M5 | 21 | 14 | 19 | 22 | 8 | 20 |
| K0247.01053X20 | Edelstahl | verkehrsblau RAL 5017 | M5 | 21 | 14 | 19 | 22 | 8 | 20 |
| K0247.01055X20 | Edelstahl | lichtgrau RAL 7035 | M5 | 21 | 14 | 19 | 22 | 8 | 20 |
| K0247.01056X20 | Edelstahl | verkehrsrot RAL 3020 | M5 | 21 | 14 | 19 | 22 | 8 | 20 |
| K0247.01057X20 | Edelstahl | rapsgelb RAL 1021 | M5 | 21 | 14 | 19 | 22 | 8 | 20 |
| K0247.0105X25 | Edelstahl | schwarzgrau RAL 7021 | M5 | 21 | 14 | 19 | 22 | 8 | 25 |
| K0247.01051X25 | Edelstahl | reinorange RAL 2004 | M5 | 21 | 14 | 19 | 22 | 8 | 25 |
| K0247.01052X25 | Edelstahl | signalgrün RAL 6032 | M5 | 21 | 14 | 19 | 22 | 8 | 25 |
| K0247.01053X25 | Edelstahl | verkehrsblau RAL 5017 | M5 | 21 | 14 | 19 | 22 | 8 | 25 |
| K0247.01055X25 | Edelstahl | lichtgrau RAL 7035 | M5 | 21 | 14 | 19 | 22 | 8 | 25 |
| K0247.01056X25 | Edelstahl | verkehrsrot RAL 3020 | M5 | 21 | 14 | 19 | 22 | 8 | 25 |
| K0247.01057X25 | Edelstahl | rapsgelb RAL 1021 | M5 | 21 | 14 | 19 | 22 | 8 | 25 |
| K0247.0106X15 | Edelstahl | schwarzgrau RAL 7021 | M6 | 21 | 14 | 19 | 22 | 8 | 15 |
| K0247.01061X15 | Edelstahl | reinorange RAL 2004 | M6 | 21 | 14 | 19 | 22 | 8 | 15 |

Rändelknöpfe mit Außengewinde

Artikelübersicht

| Bestellnummer | Material | Farbe Deckel | D | D1 | D2 | D3 | H | H1 | L |
|----------------|-----------|-----------------------|-----|----|----|----|----|-----|----|
| K0247.01062X15 | Edelstahl | signalgrün RAL 6032 | M6 | 21 | 14 | 19 | 22 | 8 | 15 |
| K0247.01063X15 | Edelstahl | verkehrsblau RAL 5017 | M6 | 21 | 14 | 19 | 22 | 8 | 15 |
| K0247.01065X15 | Edelstahl | lichtgrau RAL 7035 | M6 | 21 | 14 | 19 | 22 | 8 | 15 |
| K0247.01066X15 | Edelstahl | verkehrsrot RAL 3020 | M6 | 21 | 14 | 19 | 22 | 8 | 15 |
| K0247.01067X15 | Edelstahl | rapsgelb RAL 1021 | M6 | 21 | 14 | 19 | 22 | 8 | 15 |
| K0247.0106X20 | Edelstahl | schwarzgrau RAL 7021 | M6 | 21 | 14 | 19 | 22 | 8 | 20 |
| K0247.01061X20 | Edelstahl | reinorange RAL 2004 | M6 | 21 | 14 | 19 | 22 | 8 | 20 |
| K0247.01062X20 | Edelstahl | signalgrün RAL 6032 | M6 | 21 | 14 | 19 | 22 | 8 | 20 |
| K0247.01063X20 | Edelstahl | verkehrsblau RAL 5017 | M6 | 21 | 14 | 19 | 22 | 8 | 20 |
| K0247.01065X20 | Edelstahl | lichtgrau RAL 7035 | M6 | 21 | 14 | 19 | 22 | 8 | 20 |
| K0247.01066X20 | Edelstahl | verkehrsrot RAL 3020 | M6 | 21 | 14 | 19 | 22 | 8 | 20 |
| K0247.01067X20 | Edelstahl | rapsgelb RAL 1021 | M6 | 21 | 14 | 19 | 22 | 8 | 20 |
| K0247.0106X25 | Edelstahl | schwarzgrau RAL 7021 | M6 | 21 | 14 | 19 | 22 | 8 | 25 |
| K0247.01061X25 | Edelstahl | reinorange RAL 2004 | M6 | 21 | 14 | 19 | 22 | 8 | 25 |
| K0247.01062X25 | Edelstahl | signalgrün RAL 6032 | M6 | 21 | 14 | 19 | 22 | 8 | 25 |
| K0247.01063X25 | Edelstahl | verkehrsblau RAL 5017 | M6 | 21 | 14 | 19 | 22 | 8 | 25 |
| K0247.01065X25 | Edelstahl | lichtgrau RAL 7035 | M6 | 21 | 14 | 19 | 22 | 8 | 25 |
| K0247.01066X25 | Edelstahl | verkehrsrot RAL 3020 | M6 | 21 | 14 | 19 | 22 | 8 | 25 |
| K0247.01067X25 | Edelstahl | rapsgelb RAL 1021 | M6 | 21 | 14 | 19 | 22 | 8 | 25 |
| K0247.0106X30 | Edelstahl | schwarzgrau RAL 7021 | M6 | 21 | 14 | 19 | 22 | 8 | 30 |
| K0247.01061X30 | Edelstahl | reinorange RAL 2004 | M6 | 21 | 14 | 19 | 22 | 8 | 30 |
| K0247.01062X30 | Edelstahl | signalgrün RAL 6032 | M6 | 21 | 14 | 19 | 22 | 8 | 30 |
| K0247.01063X30 | Edelstahl | verkehrsblau RAL 5017 | M6 | 21 | 14 | 19 | 22 | 8 | 30 |
| K0247.01065X30 | Edelstahl | lichtgrau RAL 7035 | M6 | 21 | 14 | 19 | 22 | 8 | 30 |
| K0247.01066X30 | Edelstahl | verkehrsrot RAL 3020 | M6 | 21 | 14 | 19 | 22 | 8 | 30 |
| K0247.01067X30 | Edelstahl | rapsgelb RAL 1021 | M6 | 21 | 14 | 19 | 22 | 8 | 30 |
| K0247.0208X20 | Edelstahl | schwarzgrau RAL 7021 | M8 | 26 | 18 | 23 | 26 | 9,5 | 20 |
| K0247.02081X20 | Edelstahl | reinorange RAL 2004 | M8 | 26 | 18 | 23 | 26 | 9,5 | 20 |
| K0247.02082X20 | Edelstahl | signalgrün RAL 6032 | M8 | 26 | 18 | 23 | 26 | 9,5 | 20 |
| K0247.02083X20 | Edelstahl | verkehrsblau RAL 5017 | M8 | 26 | 18 | 23 | 26 | 9,5 | 20 |
| K0247.02085X20 | Edelstahl | lichtgrau RAL 7035 | M8 | 26 | 18 | 23 | 26 | 9,5 | 20 |
| K0247.02086X20 | Edelstahl | verkehrsrot RAL 3020 | M8 | 26 | 18 | 23 | 26 | 9,5 | 20 |
| K0247.02087X20 | Edelstahl | rapsgelb RAL 1021 | M8 | 26 | 18 | 23 | 26 | 9,5 | 20 |
| K0247.0208X25 | Edelstahl | schwarzgrau RAL 7021 | M8 | 26 | 18 | 23 | 26 | 9,5 | 25 |
| K0247.02081X25 | Edelstahl | reinorange RAL 2004 | M8 | 26 | 18 | 23 | 26 | 9,5 | 25 |
| K0247.02082X25 | Edelstahl | signalgrün RAL 6032 | M8 | 26 | 18 | 23 | 26 | 9,5 | 25 |
| K0247.02083X25 | Edelstahl | verkehrsblau RAL 5017 | M8 | 26 | 18 | 23 | 26 | 9,5 | 25 |
| K0247.02085X25 | Edelstahl | lichtgrau RAL 7035 | M8 | 26 | 18 | 23 | 26 | 9,5 | 25 |
| K0247.02086X25 | Edelstahl | verkehrsrot RAL 3020 | M8 | 26 | 18 | 23 | 26 | 9,5 | 25 |
| K0247.02087X25 | Edelstahl | rapsgelb RAL 1021 | M8 | 26 | 18 | 23 | 26 | 9,5 | 25 |
| K0247.0208X30 | Edelstahl | schwarzgrau RAL 7021 | M8 | 26 | 18 | 23 | 26 | 9,5 | 30 |
| K0247.02081X30 | Edelstahl | reinorange RAL 2004 | M8 | 26 | 18 | 23 | 26 | 9,5 | 30 |
| K0247.02082X30 | Edelstahl | signalgrün RAL 6032 | M8 | 26 | 18 | 23 | 26 | 9,5 | 30 |
| K0247.02083X30 | Edelstahl | verkehrsblau RAL 5017 | M8 | 26 | 18 | 23 | 26 | 9,5 | 30 |
| K0247.02085X30 | Edelstahl | lichtgrau RAL 7035 | M8 | 26 | 18 | 23 | 26 | 9,5 | 30 |
| K0247.02086X30 | Edelstahl | verkehrsrot RAL 3020 | M8 | 26 | 18 | 23 | 26 | 9,5 | 30 |
| K0247.02087X30 | Edelstahl | rapsgelb RAL 1021 | M8 | 26 | 18 | 23 | 26 | 9,5 | 30 |
| K0247.0208X40 | Edelstahl | schwarzgrau RAL 7021 | M8 | 26 | 18 | 23 | 26 | 9,5 | 40 |
| K0247.02081X40 | Edelstahl | reinorange RAL 2004 | M8 | 26 | 18 | 23 | 26 | 9,5 | 40 |
| K0247.02082X40 | Edelstahl | signalgrün RAL 6032 | M8 | 26 | 18 | 23 | 26 | 9,5 | 40 |
| K0247.02083X40 | Edelstahl | verkehrsblau RAL 5017 | M8 | 26 | 18 | 23 | 26 | 9,5 | 40 |
| K0247.02085X40 | Edelstahl | lichtgrau RAL 7035 | M8 | 26 | 18 | 23 | 26 | 9,5 | 40 |
| K0247.02086X40 | Edelstahl | verkehrsrot RAL 3020 | M8 | 26 | 18 | 23 | 26 | 9,5 | 40 |
| K0247.02087X40 | Edelstahl | rapsgelb RAL 1021 | M8 | 26 | 18 | 23 | 26 | 9,5 | 40 |
| K0247.0310X20 | Edelstahl | schwarzgrau RAL 7021 | M10 | 34 | 22 | 31 | 36 | 13 | 20 |
| K0247.03101X20 | Edelstahl | reinorange RAL 2004 | M10 | 34 | 22 | 31 | 36 | 13 | 20 |
| K0247.03102X20 | Edelstahl | signalgrün RAL 6032 | M10 | 34 | 22 | 31 | 36 | 13 | 20 |
| K0247.03103X20 | Edelstahl | verkehrsblau RAL 5017 | M10 | 34 | 22 | 31 | 36 | 13 | 20 |
| K0247.03105X20 | Edelstahl | lichtgrau RAL 7035 | M10 | 34 | 22 | 31 | 36 | 13 | 20 |
| K0247.03106X20 | Edelstahl | verkehrsrot RAL 3020 | M10 | 34 | 22 | 31 | 36 | 13 | 20 |
| K0247.03107X20 | Edelstahl | rapsgelb RAL 1021 | M10 | 34 | 22 | 31 | 36 | 13 | 20 |
| K0247.0310X30 | Edelstahl | schwarzgrau RAL 7021 | M10 | 34 | 22 | 31 | 36 | 13 | 30 |

Rändelknöpfe mit Außengewinde

Artikelübersicht

| Bestellnummer | Material | Farbe Deckel | D | D1 | D2 | D3 | H | H1 | L |
|----------------|-----------|-----------------------|-----|----|----|----|----|----|----|
| K0247.03101X30 | Edelstahl | reinorange RAL 2004 | M10 | 34 | 22 | 31 | 36 | 13 | 30 |
| K0247.03102X30 | Edelstahl | signalgrün RAL 6032 | M10 | 34 | 22 | 31 | 36 | 13 | 30 |
| K0247.03103X30 | Edelstahl | verkehrsblau RAL 5017 | M10 | 34 | 22 | 31 | 36 | 13 | 30 |
| K0247.03105X30 | Edelstahl | lichtgrau RAL 7035 | M10 | 34 | 22 | 31 | 36 | 13 | 30 |
| K0247.03106X30 | Edelstahl | verkehrsrot RAL 3020 | M10 | 34 | 22 | 31 | 36 | 13 | 30 |
| K0247.03107X30 | Edelstahl | rapsgelb RAL 1021 | M10 | 34 | 22 | 31 | 36 | 13 | 30 |
| K0247.0310X40 | Edelstahl | schwarzgrau RAL 7021 | M10 | 34 | 22 | 31 | 36 | 13 | 40 |
| K0247.03101X40 | Edelstahl | reinorange RAL 2004 | M10 | 34 | 22 | 31 | 36 | 13 | 40 |
| K0247.03102X40 | Edelstahl | signalgrün RAL 6032 | M10 | 34 | 22 | 31 | 36 | 13 | 40 |
| K0247.03103X40 | Edelstahl | verkehrsblau RAL 5017 | M10 | 34 | 22 | 31 | 36 | 13 | 40 |
| K0247.03105X40 | Edelstahl | lichtgrau RAL 7035 | M10 | 34 | 22 | 31 | 36 | 13 | 40 |
| K0247.03106X40 | Edelstahl | verkehrsrot RAL 3020 | M10 | 34 | 22 | 31 | 36 | 13 | 40 |
| K0247.03107X40 | Edelstahl | rapsgelb RAL 1021 | M10 | 34 | 22 | 31 | 36 | 13 | 40 |