



ECONOMY RANGE

3.81mm pitch pluggable rising clamp terminal blocks

Product overview

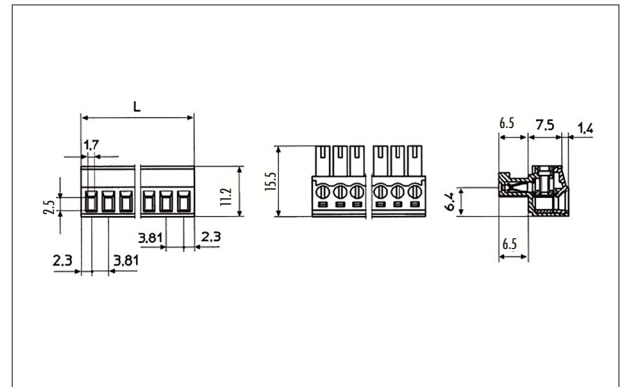
- 2-12 pole solid block
- Up to 20 poles available
- Pluggable male-female connectors
- Professional rising clamp terminals
- Closed headers
- Polarised mouldings
- Moulded in green UL94-V0 flame retardant PA66
- 0.13-1.3mm² (26-16AWG) solid & stranded cable
- Captive screws
- Guided pin alignment
- approved

SPECIFICATION

Rating	8A 125 V
Insulation resistance	5000M Ω /1000V
Withstand voltage	AC2000V/1min
Contact resistance	20m Ω
Working temperature	-33°C to +120°C
Mouldings	UL94-V0 flame retardant PA66
Wire protector	Tin plated
Screw/torque	M2 steel, tin plated 0.2Nm
Recommended PCB hole size	ϕ 1.4mm

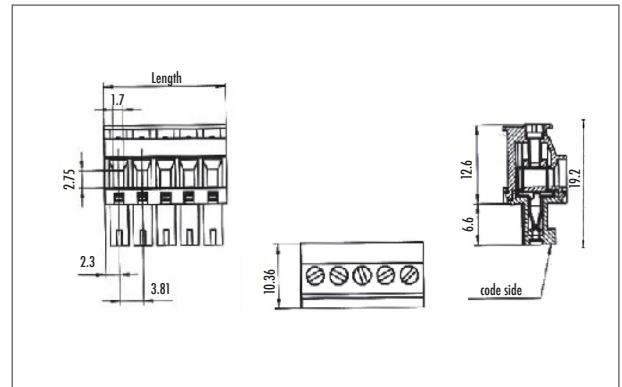
PART NO.	POLES	LENGTH
CTB922HE/2	2	8.4mm
CTB922HE/3	3	12.2mm
CTB922HE/4	4	16mm
CTB922HE/5	5	19.8mm
CTB922HE/6	6	23.7mm
CTB922HE/7	7	27.5mm
CTB922HE/8	8	31.3mm
CTB922HE/9	9	35.1mm
CTB922HE/10	10	38.9mm
CTB922HE/11	11	42.7mm
CTB922HE/12	12	46.5mm

CTB922HE



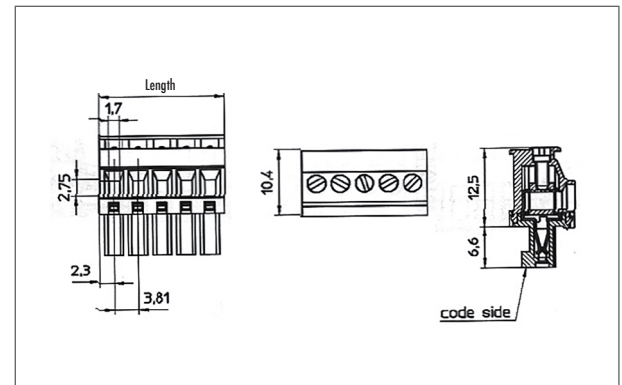
PART NO.	POLES	LENGTH
CTB922VE/2S	2	8.4mm
CTB922VE/3S	3	12.2mm
CTB922VE/4S	4	16mm
CTB922VE/5S	5	19.8mm
CTB922VE/6S	6	23.7mm
CTB922VE/7S	7	27.5mm
CTB922VE/8S	8	31.3mm
CTB922VE/9S	9	35.1mm
CTB922VE/10S	10	38.9mm
CTB922VE/11S	11	42.7mm
CTB922VE/12S	12	46.5mm

CTB922VE S



PART NO.	POLES	LENGTH
CTB922VE/2R	2	8.4mm
CTB922VE/3R	3	12.2mm
CTB922VE/4R	4	16mm
CTB922VE/5R	5	19.8mm
CTB922VE/6R	6	23.7mm
CTB922VE/7R	7	27.5mm
CTB922VE/8R	8	31.3mm
CTB922VE/9R	9	35.1mm
CTB922VE/10R	10	38.9mm
CTB922VE/11R	11	42.7mm
CTB922VE/12R	12	46.5mm

CTB922VE R

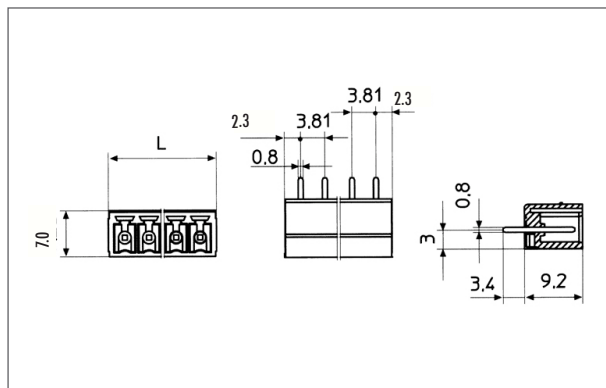




ECONOMY RANGE

PART NO.	POLES	LENGTH
CTB932VE/2	2	8.41mm
CTB932VE/3	3	12.22mm
CTB932VE/4	4	16.03mm
CTB932VE/5	5	19.84mm
CTB932VE/6	6	23.65mm
CTB932VE/7	7	27.46mm
CTB932VE/8	8	31.27mm
CTB932VE/9	9	35.08mm
CTB932VE/10	10	38.89mm
CTB932VE/11	11	42.7mm
CTB932VE/12	12	46.51mm

CTB932VE



PART NO.	POLES	LENGTH
CTB932HE/2	2	8.41mm
CTB932HE/3	3	12.22mm
CTB932HE/4	4	16.03mm
CTB932HE/5	5	19.84mm
CTB932HE/6	6	23.65mm
CTB932HE/7	7	27.46mm
CTB932HE/8	8	31.27mm
CTB932HE/9	9	35.08mm
CTB932HE/10	10	38.89mm
CTB932HE/11	11	42.7mm
CTB932HE/12	12	46.51mm

CTB932HE

