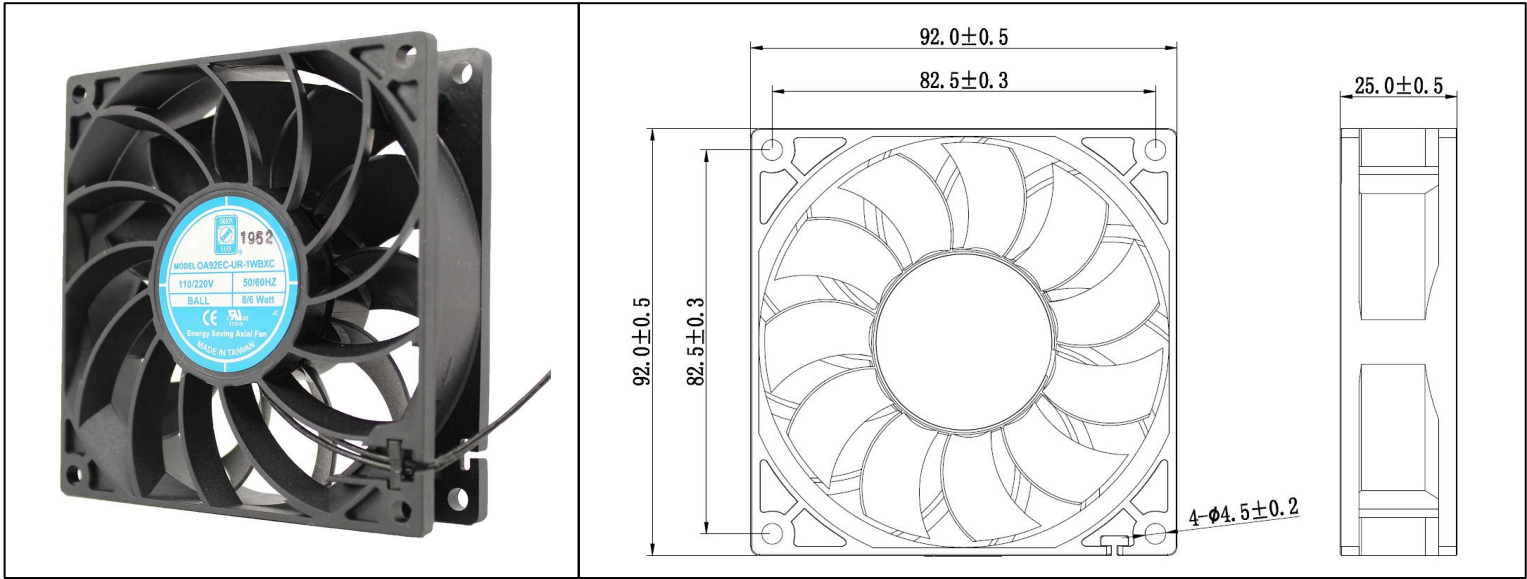


# OA92EC XC Series



EC Fan Universal Voltage  
92x25mm (3.62" x 0.98")



Frame	PBT UL94V0- Plastic	<u>Operating Temperature</u> -10C ~ +70C  <u>Storage Temperature</u> -40C ~ +75C  <u>Life Expectancy</u> 70,000 hours (L10 at 40C)  Weight: ~ 0.22 lbs  m0	
Impeller	PBT UL94V0- Plastic		
Connection	Wire Leads		
Motor	AC-DC Energy Saving, Electronically Protected		
Bearing System	Dual Ball Bearings		
Dielectric Strength	1500VAC/min		

Part Number	OA92EC-UR-1WBXC
Rated Voltage	110/220 VAC
Voltage Range	85 ~ 265
Rated Input	8 ~ 6 (4.0)W
Rated Speed (RPM)	2600
Airflow (CFM)	56
Noise Level (dB)	35
Max. Static Pressure	0.16"H <sub>2</sub> O