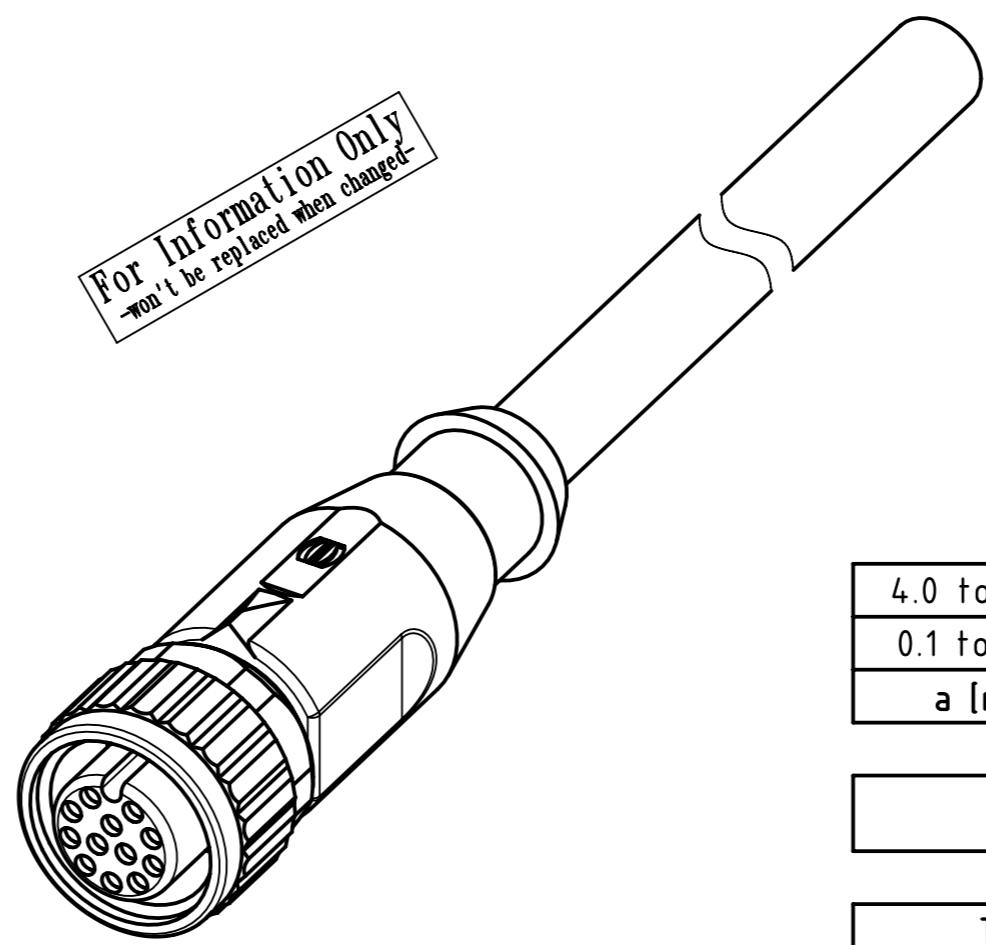


- Loading-Plan:**
- 1 brown
 - 2 blue
 - 3 white
 - 4 green
 - 5 pink
 - 6 yellow
 - 7 black
 - 8 grey
 - 9 red
 - 10 violet
 - 11 grey-pink
 - 12 red-blue

*For Information Only
won't be replaced when changed*



4.0 to 100	+1%
0.1 to 3.9	+0.04
a [m]	Tolerance

length in "1m" step	100	XXX=000
	99	XXX=990
	12	XXX=120
	11	XXX=110
length in "0.1m" step	10	XXX=100
	9.9	XXX=099
	9.8	XXX=098
	0.4	XXX=004
	0.3	XXX=003
	0.2	XXX=002
0.1	XXX=001	
Step	a [m]	XXX

Part no.	21348500CXXXXX
-----------------	----------------

Type of cable	XX
PVC grey, 12x0.14mm ²	XX=79
PUR black, 12x0.14mm ²	XX=78

- Protection level: IP67
- Temperature range: -30°C ... +80°C

		All rights reserved Department EC PD - RO		All Dimensions in mm Original Size DIN A3		Scale 2:1 Free size tol.		Ref. Sub.	
HARTING Electronics GmbH D-32339 Espelkamp		Created by TAMAS Title M12 A-coded Cable Assembly Type TB		Inspected by Standardisation		Date 2014-06-25 Number 21348500CXXXXX		State In Work Doc-Key / ECM-Nr. 100583139/UGD/009/A Rev. A Page 1/1	