



**M12 Rail Bulkhead PCB**

TE Internal #: 1-2823589-1

M12 Rail Bulkhead PCB, Standard Circular Connectors, Cable-to-Cable, 4 Position, Sealable, Printed Circuit Board, 4A Contact Current Rating (Max)

[View on TE.com >](#)

Connectors > Circular Connectors > Standard Circular Connectors > M12 PCB MOUNTED



Connector System: **Cable-to-Cable**

Number of Positions: **4**

Sealable: **Yes**

Connector & Contact Terminates To: **Printed Circuit Board**

Contact Current Rating (Max): **4 A**

[All M12 PCB MOUNTED \(12\)](#)

**Features**

**Product Type Features**

Product Type	Lead Assembly
Connector System	Cable-to-Cable
Sealable	Yes
Connector & Contact Terminates To	Printed Circuit Board
Circular Connector Type	Plug
Shell Type	Full Metal Shell

**Configuration Features**

Number of Positions	4
Contacts Preloaded	Yes

**Electrical Characteristics**

Operating Voltage	50 VDC
-------------------	--------

**Body Features**

Environmental Protection Type	Elastomer Sealed
Environmental Protection	Yes
Weight	25 g[.0552 lb]
Shell Plating Material	Nickel



Shell Base Material	Brass
Circular Connector Insulation Material Type	Low Fire Hazard Thermoplastic
Hermetically Sealed	Yes

#### Contact Features

Contact Current Rating (Max)	4 A
Circular Connector Contact Type	Pin

#### Mechanical Attachment

Connector Mounting Type	Cable Mount (Free-Hanging)
Polarization Code	D
Mating Alignment Type	Keyed
Mating Retention	With

#### Usage Conditions

IP Water Sealing Level	7
IP Dust Sealing Level	6
Operating Temperature Range	-40 – 85 °C[-40 – 185 °F][-40 – 185 °F]

#### Operation/Application

Durability Rating	250 Cycles
Circuit Application	Signal
Shielded	Yes

#### Industry Standards

UL Flammability Rating	UL 94V-0
------------------------	----------

#### Packaging Features

Packaging Quantity	1
--------------------	---

#### Other

Field Serviceable	Yes
-------------------	-----

#### Product Compliance

[For compliance documentation, visit the product page on TE.com>](#)

EU RoHS Directive 2011/65/EU	Not Compliant
EU ELV Directive 2000/53/EC	Compliant
China RoHS 2 Directive MIIT Order No 32, 2016	Restricted Materials Above Threshold
EU REACH Regulation (EC) No. 1907/2006	



Current ECHA Candidate List: JAN 2021  
(211)  
Candidate List Declared Against: JUN 2020  
(209)  
SVHC > Threshold:  
Not Yet Reviewed








Halogen Content  
Low Halogen - Br, Cl, F, I < 900 ppm per homogenous material. Also BFR/CFR/PVC Free

Solder Process Capability  
Not reviewed for solder process capability

**Product Compliance Disclaimer**

This information is provided based on reasonable inquiry of our suppliers and represents our current actual knowledge based on the information they provided. This information is subject to change. The part numbers that TE has identified as EU RoHS compliant have a maximum concentration of 0.1% by weight in homogenous materials for lead, hexavalent chromium, mercury, PBB, PBDE, DBP, BBP, DEHP, DIBP, and 0.01% for cadmium, or qualify for an exemption to these limits as defined in the Annexes of Directive 2011/65/EU (RoHS2). Finished electrical and electronic equipment products will be CE marked as required by Directive 2011/65/EU. Components may not be CE marked. Additionally, the part numbers that TE has identified as EU ELV compliant have a maximum concentration of 0.1% by weight in homogenous materials for lead, hexavalent chromium, and mercury, and 0.01% for cadmium, or qualify for an exemption to these limits as defined in the Annexes of Directive 2000/53/EC (ELV). Regarding the REACH Regulation, the information TE provides on SVHC in articles for this part number is based on the latest European Chemicals Agency (ECHA) 'Guidance on requirements for substances in articles' posted at this URL: <https://echa.europa.eu/guidance-documents/guidance-on-reach>

## Compatible Parts

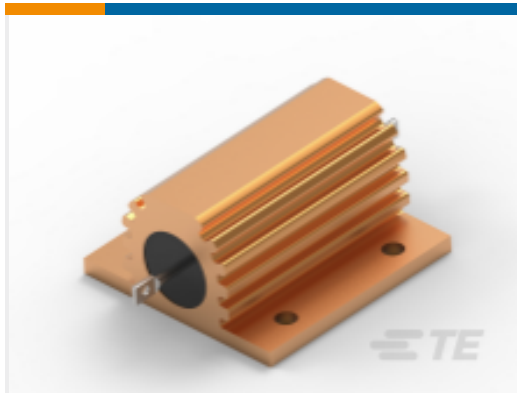
 <p>TE Part # 1-2823557-1 CRIMP TOOL FOR CRIMP FLANGE /SLEEVE</p>	 <p>TE Part # 1-2823560-1 ASSEMBLY TOOL HANDLE FOR CRIMP FLANGE</p>	 <p>TE Part # 1-2823561-1 UNIVERSAL INSERT (ALL M12 CODES)</p>	 <p>TE Part # CAT-M1-M1 M12 ASSEMBLY TOOLING</p>
 <p>TE Part # CAT-R131-IN722 CRIMP INSERT FOR USE WITH 1-2823557-1</p>	 <p>TE Part # 601966-1 CRIMPING TOOL M22520/2-01</p>	 <p>TE Part # 601967-1 CRIMPING TOOL M22520/1-01</p>	

## Also in the Series | M12 Rail Bulkhead PCB

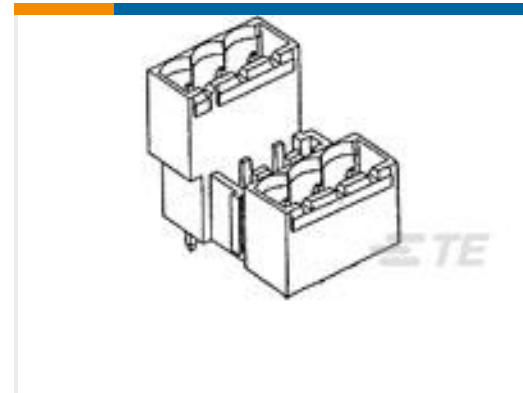


Standard Circular Connectors(13)

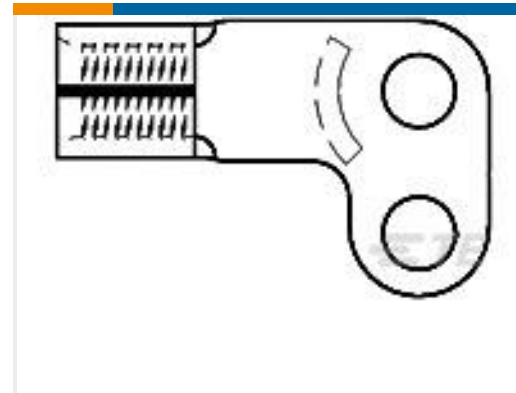
## Customers Also Bought



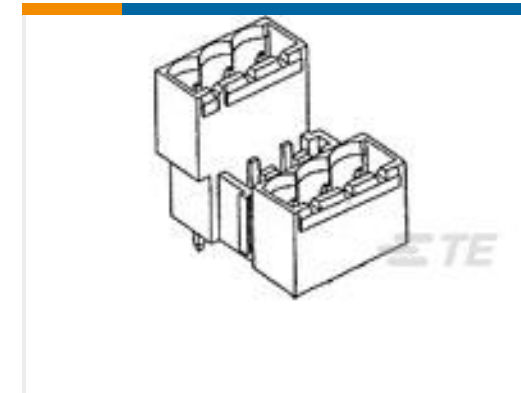
TE Part #1630019-4  
Power Resistor: Aluminum Housed,  
HSA



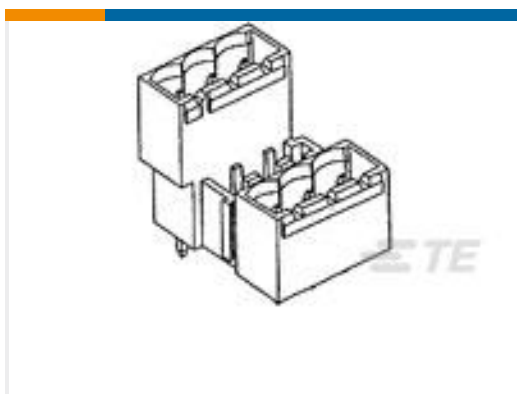
TE Part #284065-3  
TERMI-BLOK HDR 180, 5.08MM P.M



TE Part #696035-2  
SOLIS RING 6, #10, TAPE



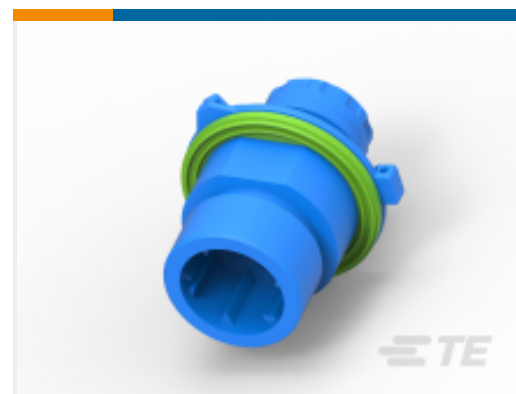
TE Part #284065-8  
TERMI-BLOK HDR 180, 5.08MM P.M



TE Part #284065-6  
TERMI-BLOK HDR 180, 5MM P.MULT



TE Part #284743-2  
MQS, CONNECTOR HOUSING



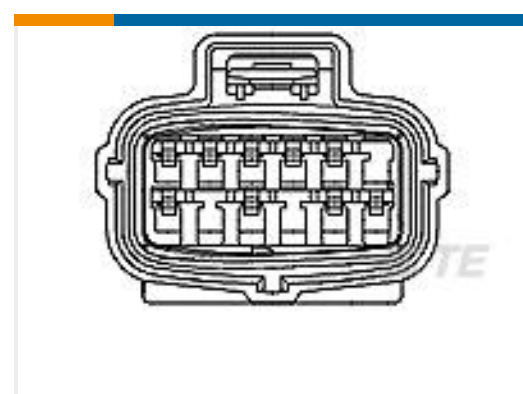
TE Part #1703780-1  
CIRCULAR DIN HOUSINGS



TE Part #2138852-2  
AMPSEAL 16 HYBRID LEVER  
MOUNTING



TE Part #2201481-1  
BAYONET 14P PLUG PS S-CUP CONT  
KIT/N



TE Part #184455-1  
ASSY,SSC,2X6 PLUG,C3,KEY A,1-9-11  
BLKD

## Documents

### Product Drawings

M12 D-CODE 4,MALE FRONT PANEL MOUNT

English

### CAD Files

3D PDF

3D

Customer View Model

ENG\_CVM\_CVM\_1-2823589-1\_A.2d\_dxf.zip



English

**Customer View Model**

[ENG\\_CVM\\_CVM\\_1-2823589-1\\_A.3d\\_igs.zip](#)

English

**Customer View Model**

[ENG\\_CVM\\_CVM\\_1-2823589-1\\_A.3d\\_stp.zip](#)

English

By downloading the CAD file I accept and agree to the [Terms and Conditions](#) of use.

---

## Datasheets & Catalog Pages

[M12 PCB Connector Flyer](#)

English