

205556-3 ✓ ACTIVE

AMPLIMITE

TE Internal #: 205556-3

Box Mount D-Sub Connectors, Plug, Cable-to-Cable, 9 Position, 1

D-Sub Shell Size, Pin, 20 D-Sub Contact Size, 2.77mm [.109in]

Centerline, Wire & Cable

[View on TE.com >](#)



Connectors > D-Shaped Connectors > D-Sub Connectors > Box Mount D-Sub Connectors



Connector & Housing Type: **Plug**

Connector System: **Cable-to-Cable**

Number of Positions: **9**

Power/Signal/Coax Combination: **No**

D-Sub Shell Size: **1**

Features

Product Type Features

Product Type	Connector
Connector & Housing Type	Plug
Connector System	Cable-to-Cable
D-Sub Shell Size	1
Sealable	No
Connector & Contact Terminates To	Wire & Cable
Blindmate	No

Configuration Features

Number of Positions	9
Power/Signal/Coax Combination	No

Body Features

Retention Clip Material	Stainless Steel
Shell Plating Material	Cadmium
Shell Material	Steel
Non-Magnetic	No

Contact Features

Contact Type	Pin
Contact Mating Area Plating Material	Gold



Contact Base Material	Copper Alloy
D-Sub Contact Size	20
Contact Current Rating (Max)	7.5 A

Mechanical Attachment

Mounting Hole Diameter	3.05 mm[.12 in]
------------------------	-----------------

Housing Features

Centerline (Pitch)	2.77 mm[.109 in]
--------------------	------------------

Usage Conditions

Operating Temperature Range	-55 – 125 °C[-67 – 257 °F]
-----------------------------	----------------------------

Operation/Application

ULTRA-LITE Connector	No
Circuit Application	Signal

Industry Standards

NASA Qualification	No
--------------------	----

Packaging Features

Packaging Method	Package
------------------	---------

Other

Comment	Insertion/Extraction Tool No. 91067-1 (Military No. M81969/1-04) is used to install and remove pin and socket contacts., Size 20 contacts supplied with connectors are loose piece.
---------	---

Product Compliance

[For compliance documentation, visit the product page on TE.com>](#)

EU RoHS Directive 2011/65/EU	Not Compliant
EU ELV Directive 2000/53/EC	Not Compliant
China RoHS 2 Directive MIIT Order No 32, 2016	Restricted Materials Above Threshold
EU REACH Regulation (EC) No. 1907/2006	Current ECHA Candidate List: JAN 2021 (211) Candidate List Declared Against: JUN 2020 (209) SVHC > Threshold: Cd (3.9% in Component Part) Article Safe Usage Statements: Use personal protective equipment as required. Do not eat, drink or smoke when using this product. Recycle if possible and dispose of the article by following all applicable governmental regulations relevant to your geographic location.



Halogen Content

Not Yet Reviewed for halogen content

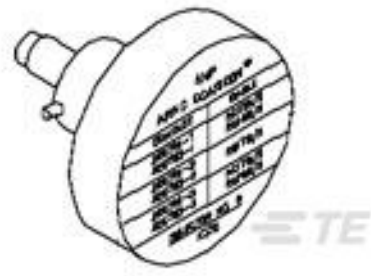
Solder Process Capability

Not applicable for solder process capability

Product Compliance Disclaimer

This information is provided based on reasonable inquiry of our suppliers and represents our current actual knowledge based on the information they provided. This information is subject to change. The part numbers that TE has identified as EU RoHS compliant have a maximum concentration of 0.1% by weight in homogenous materials for lead, hexavalent chromium, mercury, PBB, PBDE, DBP, BBP, DEHP, DIBP, and 0.01% for cadmium, or qualify for an exemption to these limits as defined in the Annexes of Directive 2011/65/EU (RoHS2). Finished electrical and electronic equipment products will be CE marked as required by Directive 2011/65/EU. Components may not be CE marked. Additionally, the part numbers that TE has identified as EU ELV compliant have a maximum concentration of 0.1% by weight in homogenous materials for lead, hexavalent chromium, and mercury, and 0.01% for cadmium, or qualify for an exemption to these limits as defined in the Annexes of Directive 2000/53/EC (ELV). Regarding the REACH Regulations, TE's information on SVHC in articles for this part number is still based on the European Chemical Agency (ECHA) 'Guidance on requirements for substances in articles' (Version: 2, April 2011), applying the 0.1% weight on weight concentration threshold at the finished product level. TE is aware of the European Court of Justice ruling of September 10th, 2015 also known as O5A (Once An Article Always An Article) stating that, in case of 'complex object', the threshold for a SVHC must be applied to both the product as a whole and simultaneously to each of the articles forming part of its composition. TE has evaluated this ruling based on the new ECHA "Guidance on requirements for substances in articles" (June 2017, version 4.0) and will be updating its statements accordingly.

Compatible Parts



TE Part # 601966-5
K13-1 POSITIONER



TE Part # 601966-1
CRIMPING TOOL M22520/2-01

Customers Also Bought



TE Part #204517-2
AMPLIMITE,ASY,PLUG,STD,90,3




TE Part #204518-2
RECEPT ASSY,62 POSN,AMPLIMITE



TE Part #205166-1
AMPLIMITE,ASY,PLUG,STD,109,3



TE Part #074911-000
55A1821-20-9/96-9CS2275



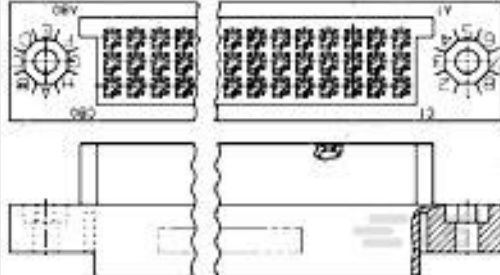
TE Part #1617754-4
FCA-410-1524M=M83536/15-024M



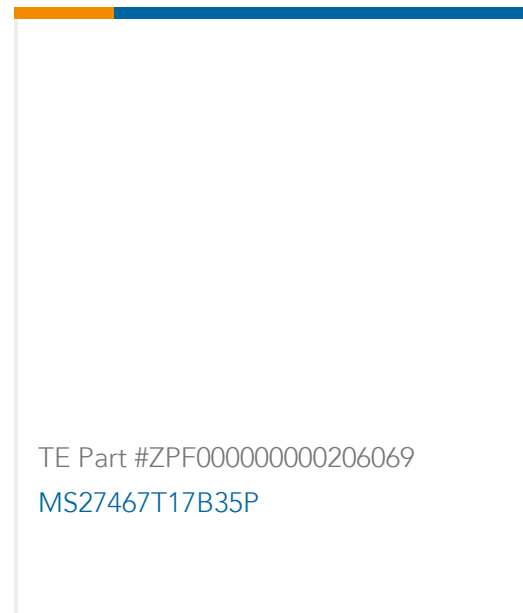
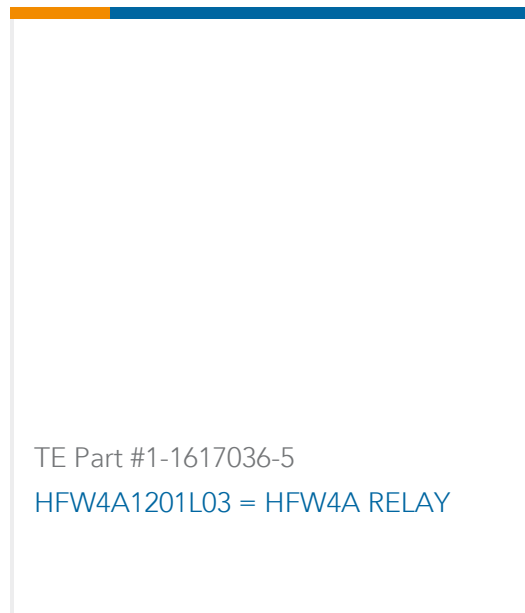
TE Part #1052075-1
2037 5008 00,SMA RA CABLE PLUG



TE Part #1-1617029-1
HFW1130K06 = M39016/6-104L



TE Part #1-531984-1
BX RCPT HSG 135 POS 100 CL



Documents

Product Drawings

[AMPLIMITE,ASY,PLUG,STD,109,1,KIT](#)

English

CAD Files

[3D PDF](#)

3D

Customer View Model

[ENG_CVM_CVM_205556-3_L.2d_dxf.zip](#)

English

Customer View Model

[ENG_CVM_CVM_205556-3_L.3d_igs.zip](#)

English

Customer View Model

[ENG_CVM_CVM_205556-3_L.3d_stp.zip](#)

English

By downloading the CAD file I accept and agree to the [Terms and Conditions](#) of use.

Datasheets & Catalog Pages

[1308940_Sec8_amplimite](#)

English

Agency Approvals

[UL Report](#)

English