



Main

Range of product	Modicon X80
Product or component type	Analog output module
Electrical connection	20 ways 1 connector
Isolation between channels	Isolated

Complementary

Measurement error	$\leq 0.2\%$ of full scale 0...60 °C 0.1 % of full scale 25 °C
Temperature drift	30 ppm/°C
Recalibration	Factory calibrated
Minimum crosstalk attenuation	90 dB
Common mode rejection	100 dB
Isolation voltage	1400 V DC between channels and ground 1400 V DC between channels and bus 750 V DC between channels
Detection type	Open circuit 0...20 mA Open circuit 4...20 mA Short circuit +/- 10 V
Load impedance ohmic	$\leq 600\ \Omega$ 0...20 mA $\leq 600\ \Omega$ 4...20 mA $\geq 1000\ \Omega$ +/- 10 V
Output level	High level
Analogue output number	2
Analogue output type	Current: 0...20 mA Current: 4...20 mA Voltage: +/- 10 V
Analogue output resolution	15 bits + sign
Supply	Internal power supply via rack
Conversion time	$\leq 1\ \text{ms}$
Maximum conversion value	+/- 11.25 V +/- 10 V 0...24 mA 0...20 mA 0...24 mA 4...20 mA
Fallback mode	Predefined Configurable
Operating altitude	0...2000 m 2000...5000 m with derating factor
Status LED	1 LED (green) RUN 1 LED per channel (green) channel diagnostic 1 LED (red) ERR 1 LED (red) I/O
Net weight	0.144 kg
Power consumption in W	2.1 W 24 V DC typical 2.8 W 24 V DC maximum 0.35 W 3.3 V DC typical 0.48 W 3.3 V DC maximum

Environment

Vibration resistance	3 gn
Shock resistance	30 gn
Ambient air temperature for storage	-40...85 °C
Ambient air temperature for operation	0...60 °C
Relative humidity	5...95 % at 55 °C without condensation
IP degree of protection	IP20
Directives	2014/35/EU - low voltage directive 2014/30/EU - electromagnetic compatibility
Product certifications	CE RCM CSA EAC Merchant Navy UL
Standards	EN/IEC 61010-2-201 EN/IEC 61131-2 UL 61010-2-201 CSA C22.2 No 61010-2-201

Packing Units

Unit Type of Package 1	PCE
Number of Units in Package 1	1
Package 1 Weight	179.0 g
Package 1 Height	5.5 cm
Package 1 width	11.0 cm
Package 1 Length	11.5 cm
Unit Type of Package 2	S02
Number of Units in Package 2	15
Package 2 Weight	2.685 kg
Package 2 Height	15.0 cm
Package 2 width	30.0 cm
Package 2 Length	40.0 cm

Offer Sustainability

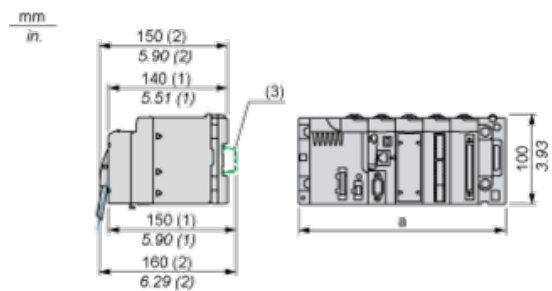
Sustainable offer status	Green Premium product
REACH Regulation	REACH Declaration
REACH free of SVHC	Yes
EU RoHS Directive	Pro-active compliance (Product out of EU RoHS legal scope) EU RoHS Declaration
Mercury free	Yes
RoHS exemption information	Yes
China RoHS Regulation	China RoHS Declaration
Environmental Disclosure	Product Environmental Profile
Circularity Profile	End Of Life Information
WEEE	The product must be disposed on European Union markets following specific waste collection and never end up in rubbish bins

Contractual warranty

Warranty	18 months
----------	-----------

Modules Mounted on Racks

Dimensions



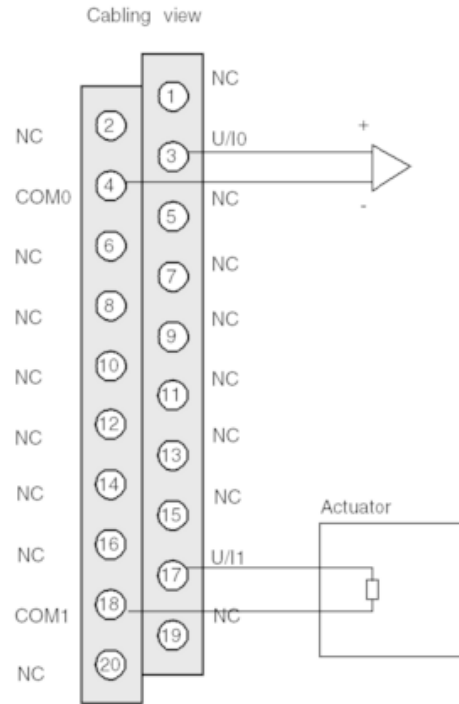
(1) With removable terminal block (cage, screw or spring).

(2) With FCN connector.

(3) On AM1 ED rail: 35 mm wide, 15 mm deep. Only possible with BMXXBP0400/0400H/0600/0600H/0800/0800H rack.

Rack references	a in mm	a in in.
BMXXBP0400 and BMXXBP0400H	242.4	09.54
BMXXBP0600 and BMXXBP0600H	307.6	12.11
BMXXBP0800 and BMXXBP0800H	372.8	14.68
BMXXBP1200 and BMXXBP1200H	503.2	19.81

Wiring Diagram



U/Ix + pole input for channel x

COMx - pole input for channel x

Channel 0 Voltage actuator

Channel 1 Current actuator

The current loop is self-powered by the output and does not request any external supply.