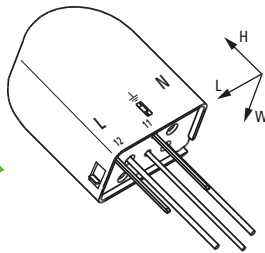
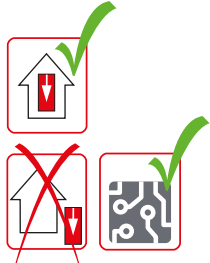


VC 280 2

- DE Einbauanleitung
- GB Installation instructions
- IT Istruzioni di montaggio
- FR Instructions de montage
- NL Montagehandleiding
- ES Instrucciones de montaje
- PT Instruções de montagem
- DK Monteringsvejledning
- SE Monteringsanvisning
- FI Asennusohje
- GR Οδηγίες συναρμολόγησης
- PL Instrukcja montażu
- CZ Montážní návod
- TR Kurulum Talimatları
- RU Инструкция по монтажу
- CN 安装说明
- HU Szerelési útmutató
- JP 設置説明書



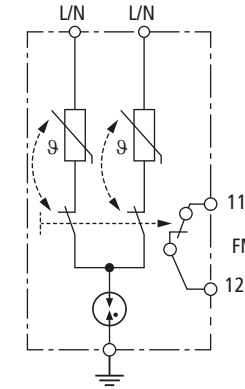
III IEC 61643-11...
3 EN 61643-11...



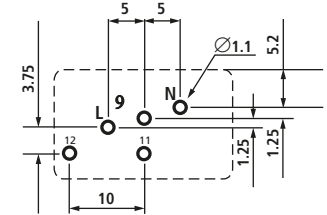
2)



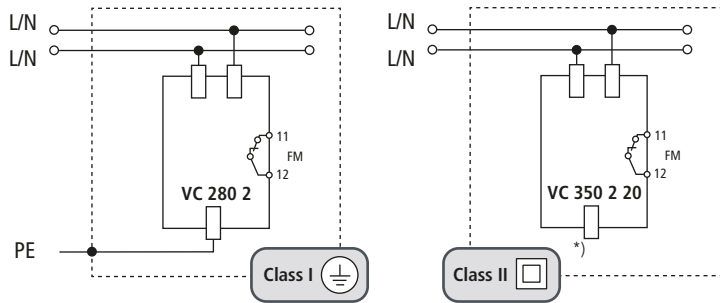
	VC 280 2
U_N // Tol.: $\pm 10\%$	230 V
U_C	280 V
f_N	50 / 60 Hz
I_{SSCR}	1 kA _{rms}
max. I	B16 A
ϑ°	-25°C ... +40°C
φ	5% ... 95%
I_{PE}	$\leq 5 \mu A$
IP 1)	20
pin length (L, N, $\underline{\underline{}}$)	≈ 23 mm
pin length (11, 12)	≈ 13 mm
L x W x H	24 mm x 15 mm x 32 mm



wave soldering:
260°C; 5s



Arrangement of VC 280 2 in devices of Protection Class I and II



*) The required isolating distances to the PE Pin must be considered in the PCB layout!

Remote Alarm Terminal and Fault Indication

	VC 280 2
U_N / I_N	
AC:	250 V / 0.5 A
DC:	250 V / 0.1 A 125 V / 0.2 A 75 V / 0.5 A

