



- 1
- 2
- 3
- 4
- 5
- 6
- 7
- 8
- 9
- 10
- 11
- 12
- 13
- 14
- 15
- 16
- 17
- 18

MATERIAL

Cast aluminium with epoxy resin coating, matte finish.

CENTRE CAP

Glass-fibre reinforced polyamide-based (PA) technopolymer, colour light grey.

STANDARD EXECUTIONS

H7 reamed hole.

- **GN 923-A:** without handle.
- **GN 923-R:** with revolving handle in polyamide based (PA) technopolymer, black colour, matte finish.
- **GN 923.3:** with fold-away handle in polyamide based (PA) technopolymer, black colour, matte finish.
- **GN 923.7:** with safety fold-away handle in polyamide based (PA) technopolymer, black colour, matte finish.

Colour index:

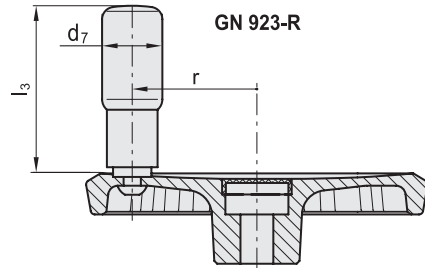
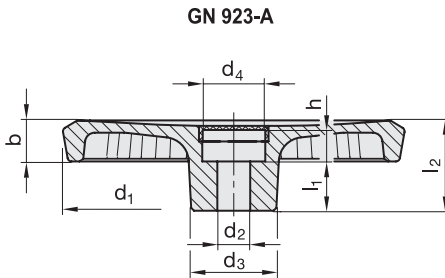
- **SW:** RAL 9005 black colour.
- **SR:** RAL 9006 light grey colour.

ACCESSORIES ON REQUEST

Axial retaining washer GN 184 (see page 897).

SPECIAL EXECUTIONS ON REQUEST

Handwheels with keyway in compliance with DIN 6885/1 tolerance P9 (see page A-16).

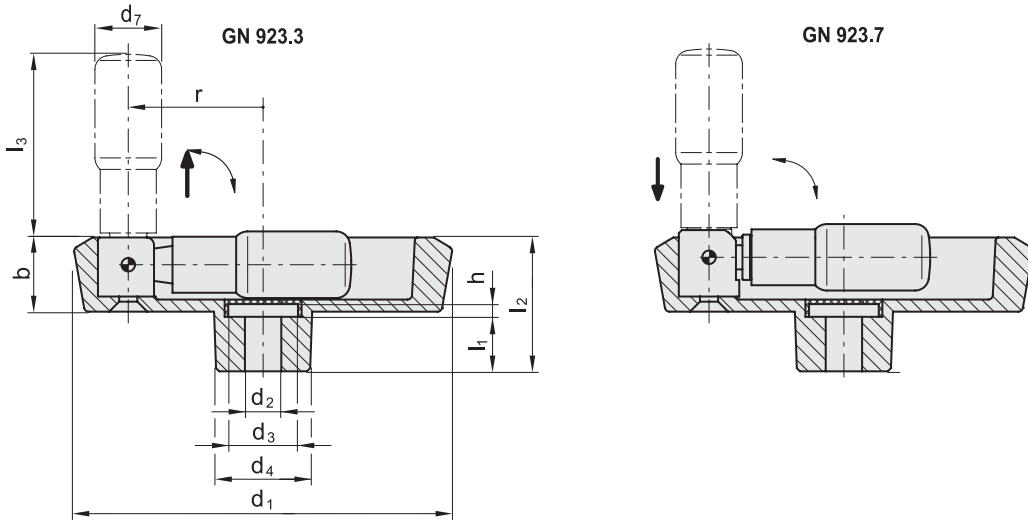


GN 923-A

Code	Description	Code	Description	d1	d2 H7	d3	d4	b	h	l1	l2	Washer	Δ
GN.68271	GN 923-80-B10-A-SW	GN.68270	GN 923-80-B10-A-SR	80	10	26	17	13	7	16	26	GN 184-16	101
GN.68273	GN 923-80-B12-A-SW	GN.68272	GN 923-80-B12-A-SR	80	12	26	17	13	7	16	26	GN 184-16	100
GN.68275	GN 923-100-B10-A-SW	GN.68274	GN 923-100-B10-A-SR	100	10	28	12	14	9.5	17	30	GN 184-20	160
GN.68277	GN 923-100-B12-A-SW	GN.68276	GN 923-100-B12-A-SR	100	12	28	22	14	9.5	17	30	GN 184-20	150
GN.68279	GN 923-125-B12-A-SW	GN.68278	GN 923-125-B12-A-SR	125	12	31	22	15	11	18	33	GN 184-20	260
GN.68281	GN 923-125-B14-A-SW	GN.68280	GN 923-125-B14-A-SR	125	14	31	22	15	11	18	33	GN 184-20	260
GN.68283	GN 923-140-B14-A-SW	GN.68282	GN 923-140-B14-A-SR	140	14	36	28.5	16.5	13	19	36	GN 184-25	350
GN.68285	GN 923-140-B16-A-SW	GN.68284	GN 923-140-B16-A-SR	140	16	36	28.5	16.5	13	19	36	GN 184-25	350
GN.68287	GN 923-160-B14-A-SW	GN.68286	GN 923-160-B14-A-SR	160	14	36	28.5	18	14.5	20	39	GN 184-25	450
GN.68289	GN 923-160-B16-A-SW	GN.68288	GN 923-160-B16-A-SR	160	16	36	28.5	18	14.5	20	39	GN 184-25	450
GN.68291	GN 923-200-B18-A-SW	GN.68290	GN 923-200-B18-A-SR	200	18	42	36	20.5	16	24	45	GN 184-32	780
GN.68293	GN 923-200-B20-A-SW	GN.68292	GN 923-200-B20-A-SR	200	20	42	36	20.5	16	24	45	GN 184-32	775

GN 923-R

Code	Description	Code	Description	d1	d2 H7	d3	d4	b	h	l1	l2	l3	r	d7	Washer	Δ
GN.68295	GN 923-80-B10-R-SW	GN.68294	GN 923-80-B10-R-SR	80	10	26	17	13	7	16	26	43.5	27.5	16	GN 184-16	120
GN.68297	GN 923-80-B12-R-SW	GN.68296	GN 923-80-B12-R-SR	80	12	26	17	13	7	16	26	43.5	27.5	16	GN 184-16	118
GN.68299	GN 923-100-B10-R-SW	GN.68298	GN 923-100-B10-R-SR	100	10	28	22	14	9.5	17	30	58	36	18	GN 184-20	200
GN.68301	GN 923-100-B12-R-SW	GN.68300	GN 923-100-B12-R-SR	100	12	28	22	14	9.5	17	30	58	36	18	GN 184-20	190
GN.68303	GN 923-125-B12-R-SW	GN.68302	GN 923-125-B12-R-SR	125	12	31	22	15	11	18	33	61	45.5	22	GN 184-20	340
GN.68305	GN 923-125-B14-R-SW	GN.68304	GN 923-125-B14-R-SR	125	14	31	22	15	11	18	33	61	45.5	22	GN 184-20	250
GN.68307	GN 923-140-B14-R-SW	GN.68306	GN 923-140-B14-R-SR	140	14	36	28.5	16.5	13	19	36	76	52	24	GN 184-25	420
GN.68309	GN 923-140-B16-R-SW	GN.68308	GN 923-140-B16-R-SR	140	16	36	28.5	16.5	13	19	36	76	52	24	GN 184-25	420
GN.68311	GN 923-160-B14-R-SW	GN.68310	GN 923-160-B14-R-SR	160	14	36	28.5	18	14.5	20	39	76	61	24	GN 184-25	560
GN.68313	GN 923-160-B16-R-SW	GN.68312	GN 923-160-B16-R-SR	160	16	36	28.5	18	14.5	20	39	76	61	24	GN 184-25	560
GN.68315	GN 923-200-B18-R-SW	GN.68314	GN 923-200-B18-R-SR	200	18	42	36	20.5	16	24	45	85	77.5	25	GN 184-32	880
GN.68317	GN 923-200-B20-R-SW	GN.68316	GN 923-200-B20-R-SR	200	20	42	36	20.5	16	24	45	85	77.5	25	GN 184-32	880



GN 923.3

Code	Description	d1	d2 H7	d3	d4	b	h	l1	l2	l3	r	d7	Washer	⚖
GN.68182	GN 923.3-100-B10-R-SW	100	10	18	28	20	4	17	39	56,5	35	18	GN 184-16	280
GN.68184	GN 923.3-100-B12-R-SW	100	12	18	28	20	4	17	39	56,5	35	18	GN 184-16	260
GN.68186	GN 923.3-125-B12-R-SW	125	12	23	31	24,5	4	18	45	60,5	44,5	22	GN 184-22	450
GN.68188	GN 923.3-125-B14-R-SW	125	14	23	31	24,5	4	18	45	60,5	44,5	22	GN 184-22	440
GN.68190	GN 923.3-140-B14-R-SW	140	14	23	36	26	4	19	47	75,5	52	24	GN 184-22	590
GN.68192	GN 923.3-140-B16-R-SW	140	16	23	36	26	4	19	47	75,5	52	24	GN 184-22	590
GN.68194	GN 923.3-160-B14-R-SW	160	14	23	36	26	4	20	48	75,5	61	24	GN 184-22	760
GN.68196	GN 923.3-160-B16-R-SW	160	16	23	36	26	4	20	48	75,5	61	24	GN 184-22	760
GN.68198	GN 923.3-200-B18-R-SW	200	18	23	42	27	4	24	53	85,5	80,5	25	GN 184-22	1100
GN.68200	GN 923.3-200-B20-R-SW	200	20	23	42	27	4	24	53	85,5	80,5	25	GN 184-22	1100
GN.68181	GN 923.3-100-B10-R-SR	100	10	18	28	20	4	17	39	56,5	35	18	GN 184-16	280
GN.68183	GN 923.3-100-B12-R-SR	100	12	18	28	20	4	17	39	56,5	35	18	GN 184-16	260
GN.68185	GN 923.3-125-B12-R-SR	125	12	23	31	24,5	4	18	45	60,5	44,5	22	GN 184-22	450
GN.68187	GN 923.3-125-B14-R-SR	125	14	23	31	24,5	4	18	45	60,5	44,5	22	GN 184-22	440
GN.68189	GN 923.3-140-B14-R-SR	140	14	23	36	26	4	19	47	75,5	52	24	GN 184-22	590
GN.68191	GN 923.3-140-B16-R-SR	140	16	23	36	26	4	19	47	75,5	52	24	GN 184-22	590
GN.68193	GN 923.3-160-B14-R-SR	160	14	23	36	26	4	20	48	75,5	61	24	GN 184-22	760
GN.68195	GN 923.3-160-B16-R-SR	160	16	23	36	26	4	20	48	75,5	61	24	GN 184-22	760
GN.68197	GN 923.3-200-B18-R-SR	200	18	23	42	27	4	24	53	85,5	80,5	25	GN 184-22	1100
GN.68199	GN 923.3-200-B20-R-SR	200	20	23	42	27	4	24	53	85,5	80,5	25	GN 184-22	1100

GN 923.7

Code	Description	d1	d2 H7	d3	d4	b	h	l1	l2	l3	r	d7	Washer	⚖
GN.68212	GN 923.7-125-B12-R-SW	125	12	23	31	24,5	4	18	45	60,5	44,5	22	GN 184-22	450
GN.68214	GN 923.7-125-B14-R-SW	125	14	23	31	24,5	4	18	45	60,5	44,5	22	GN 184-22	440
GN.68216	GN 923.7-140-B14-R-SW	140	14	23	36	26	4	19	47	75,5	52	24	GN 184-22	590
GN.68218	GN 923.7-140-B16-R-SW	140	16	23	36	26	4	19	47	75,5	52	24	GN 184-22	590
GN.68220	GN 923.7-160-B14-R-SW	160	14	23	36	26	4	20	48	75,5	61	24	GN 184-22	760
GN.68222	GN 923.7-160-B16-R-SW	160	16	23	36	26	4	20	48	75,5	61	24	GN 184-22	760
GN.68224	GN 923.7-200-B18-R-SW	200	18	23	42	27	4	24	53	85,5	80,5	25	GN 184-22	1100
GN.68226	GN 923.7-200-B20-R-SW	200	20	23	42	27	4	24	53	85,5	80,5	25	GN 184-22	1100
GN.68211	GN 923.7-125-B12-R-SR	125	12	23	31	24,5	4	18	45	60,5	44,5	22	GN 184-22	450
GN.68213	GN 923.7-125-B14-R-SR	125	14	23	31	24,5	4	18	45	60,5	44,5	22	GN 184-22	440
GN.68215	GN 923.7-140-B14-R-SR	140	14	23	36	26	4	19	47	75,5	52	24	GN 184-22	590
GN.68217	GN 923.7-140-B16-R-SR	140	16	23	36	26	4	19	47	75,5	52	24	GN 184-22	590
GN.68219	GN 923.7-160-B14-R-SR	160	14	23	36	26	4	20	48	75,5	61	24	GN 184-22	760
GN.68221	GN 923.7-160-B16-R-SR	160	16	23	36	26	4	20	48	75,5	61	24	GN 184-22	760
GN.68223	GN 923.7-200-B18-R-SR	200	18	23	42	27	4	24	53	85,5	80,5	25	GN 184-22	1100
GN.68225	GN 923.7-200-B20-R-SR	200	20	23	42	27	4	24	53	85,5	80,5	25	GN 184-22	1100



Operating elements