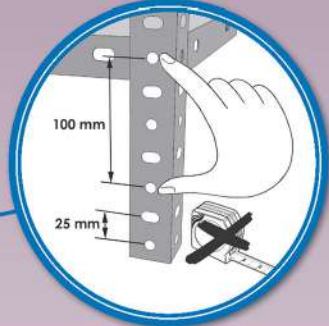
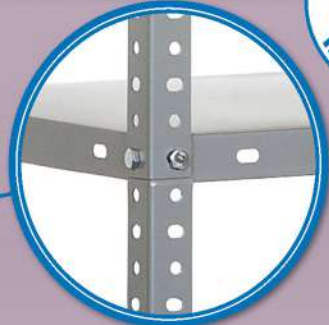
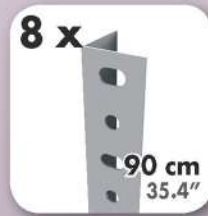


180 x 80 x 30 cm* 70.9" x 31.5" x 11.8" COMFORT MINI 5/300

5 Años Garantía
Years Guarantee
Jahre Garantie
Ans Garantie
Anos de Garantia
SIMONRACK



**500 kg
(1100 lb)
Total**



*MEDIDAS EN USO: 1803 x 814 x 314 mm
USED MEASUREMENTS: 70.98" x 32.05" x 12.36"



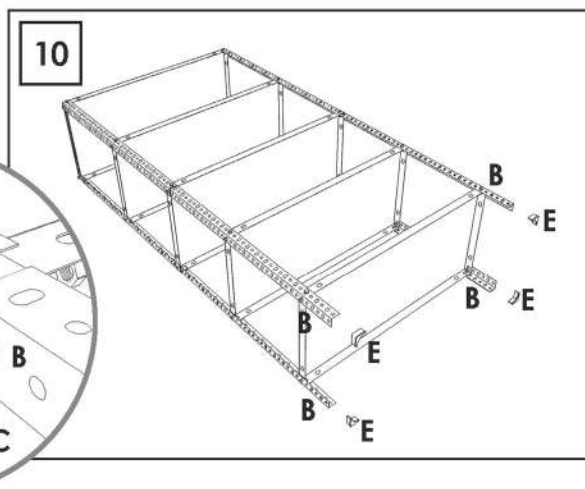
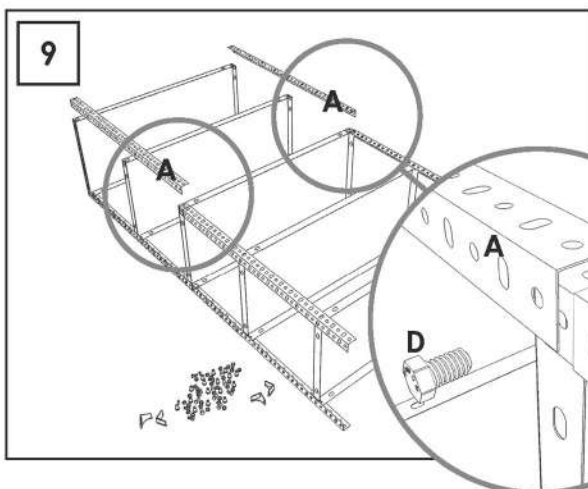
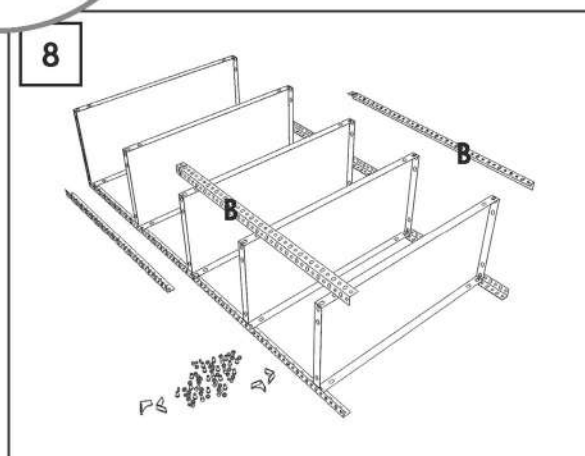
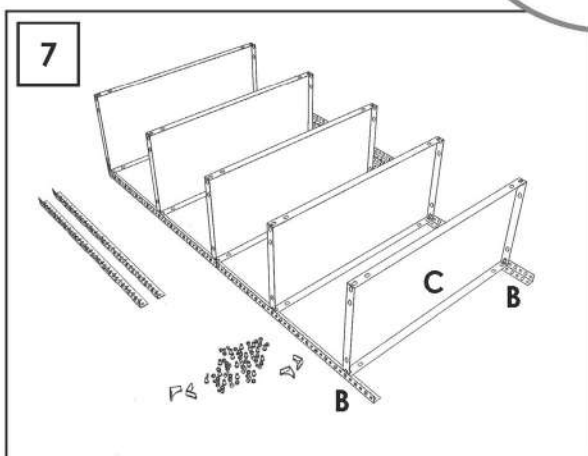
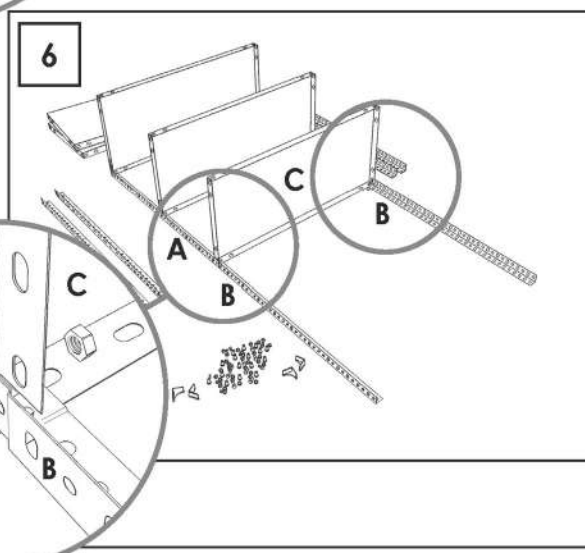
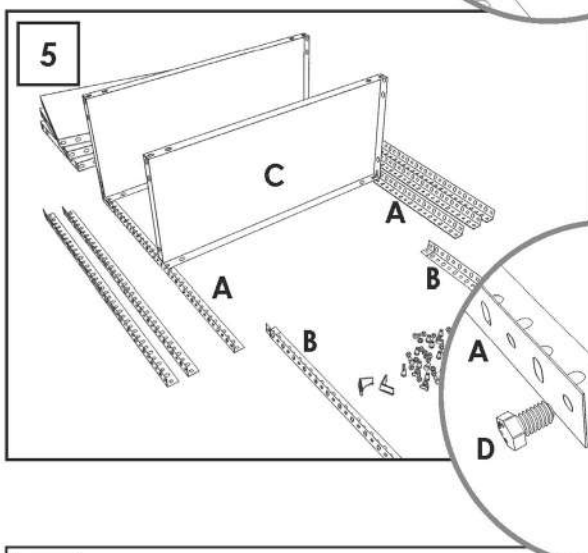
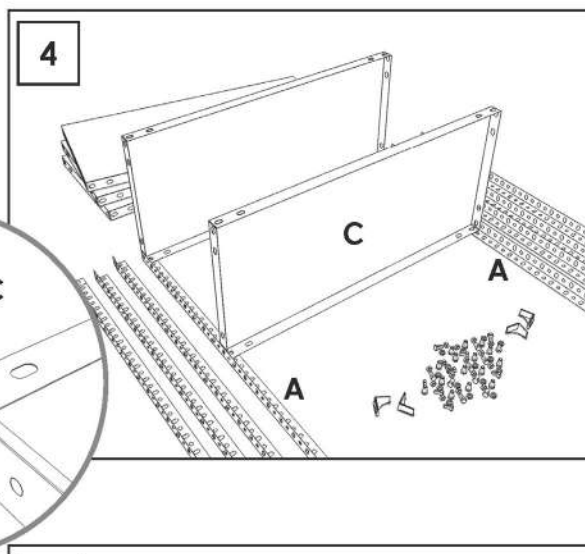
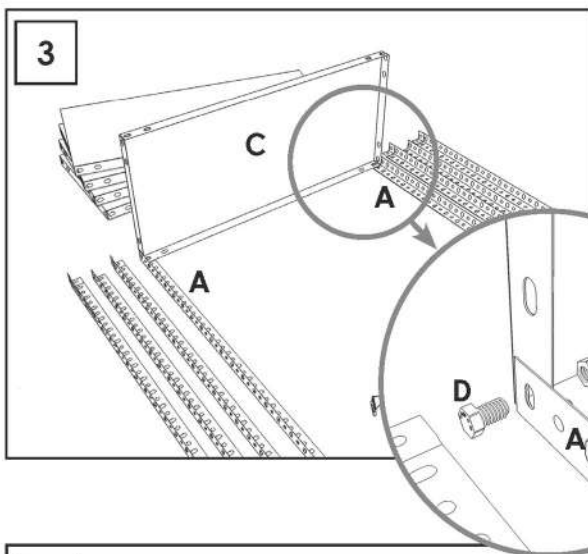
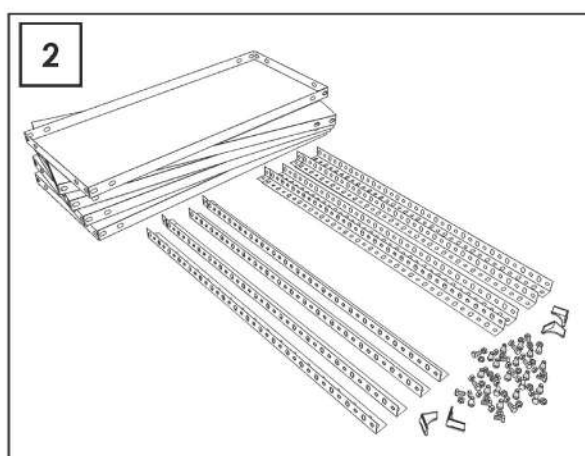
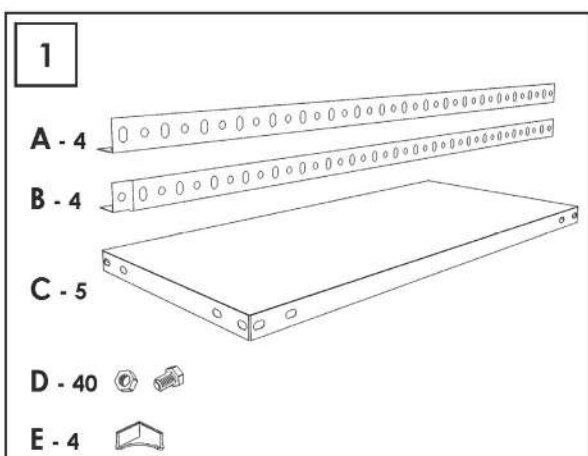
ESTANTERIAS SIMON S.L. B.50.556.463
PG. ALFAMEN C/ POLIGONO C, Nº3
ALFAMEN (ZARAGOZA)



www.simonrack.com



INSTRUCTIONS



SIMONCLASSIC



Up to:
150 Kg
(331 lb)
Kg/Shelf
Uniformly Distributed Load



SIMONCLICK



Up to:
400 Kg
(882 lb)
Kg/Shelf
Uniformly Distributed Load



SIMONOFFICE



Up to:
275 Kg
(606 lb)
Kg/Shelf
Uniformly Distributed Load



SIMONTALLER



Up to:
700 Kg
(1543 lb)
Kg/Shelf
Uniformly Distributed Load



**BANCOS DE TRABAJO
WORK BENCHES**



Up to:
800 Kg
(1764 lb)
Kg/Shelf
Uniformly Distributed Load



SIMONHOME



Up to:
150 Kg
(331 lb)
Kg/Shelf
Uniformly Distributed Load



**TAQUILLAS
LOCKER**



SIMONTITÁN



Up to:
900 Kg
(1984 lb)
Kg/Shelf
Uniformly Distributed Load



SIMONINOX



SIMONPALET



Up to:
4500 Kg
(9921 lb)
Kg/Shelf
Uniformly Distributed Load



SIMONLEVER



**ALTILLOS Y PASILLOS ELEVADOS
PLATFORMS AND MEZZANINES**

