

## Feature :

LED illumination ,  
Two color available  
2 Pole , 4 Pole  
Lock / Non-lock available

## Applications :

Instrumentations  
Computer Products  
Communication Equipments

**GENERAL SPECIFICATIONS****■ SPECIFICATIONS**

FUNCTION : Lock & Non-lock action  
CONTACT ARRANGEMENT : 2P2T , 4P2T

**■ MECHANICAL**

OPERATING FORCE : 200±100 gf

**■ ELECTRICAL**

CONTACT RATING : 30 V DC , 0.3 A  
CONTACT RESISTANCE : 20 mΩ MAX  
INSULATION RESISTANCE : 500 V DC ,  
100 MΩ Min  
OPERATING LIFE : 10,000 cycles

**■ MATERIAL**

COVER : POM  
ACTUATOR : PC  
BASE FRAME : PBT + GF  
TERMINAL : SILVER PLATING


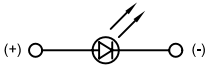
**■ ENVIRONMENTAL**

OPERATING TEMPERATURE : -20°C ~ 70°C

**■ INSTALLATION**

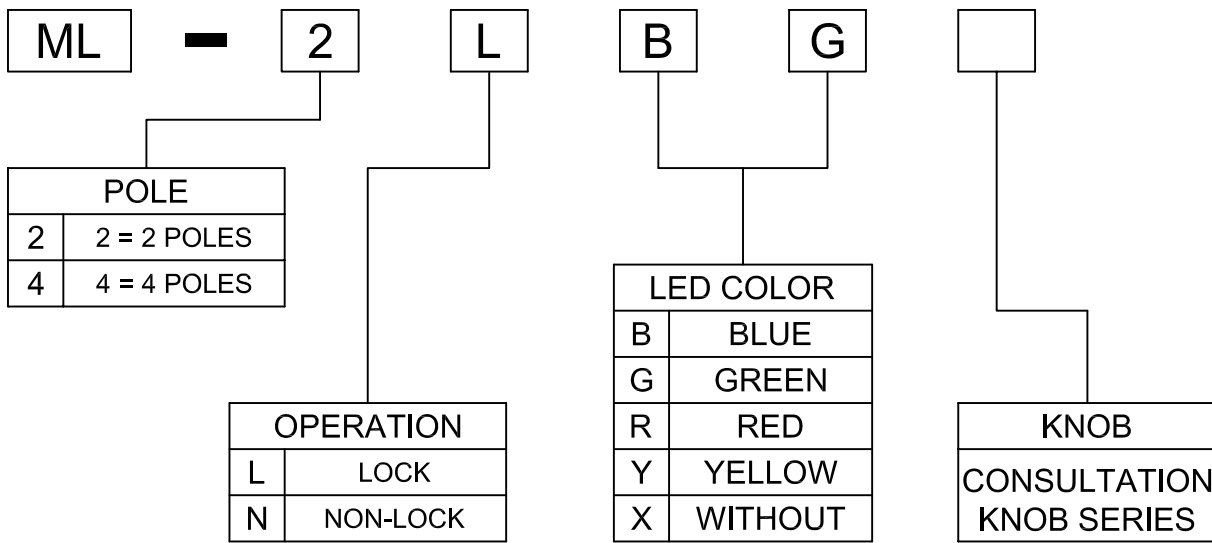
MANUAL SOLDERING : 3 seconds @ 300±5°C  
P.C.B SOLDERING : 3 seconds @ 240±5°C

**LED COLOR & SPECIFICATIONS**

 ATTENTION  LEDs are Electrostatic Sensitive devices	Parameter		Value / LED Color			
	Symbol	Unit	Blue	Green	Red	Yellow
Forward Current	I <sub>f</sub>	mA	30	30	15	20
Reverent Voltage	V <sub>r</sub>	V	5.0	5.0	5.0	5.0
Reverse Current	I <sub>r</sub>	μA	50	10	10	10
Forward Voltage@20mA	V <sub>f</sub>	V	3.5-4.0	1.7-2.6	1.7-2.6	1.7-2.6
Luminous Intensity@10mA	I <sub>v</sub>	mcd	@20mA 350-700	4.7-7.8	1.6-2.6	4.7-7.8

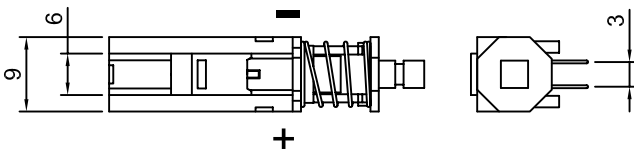
■ Physical and electrical information of LED will be provided upon customer's requirements on switches .

## HOW TO ORDER

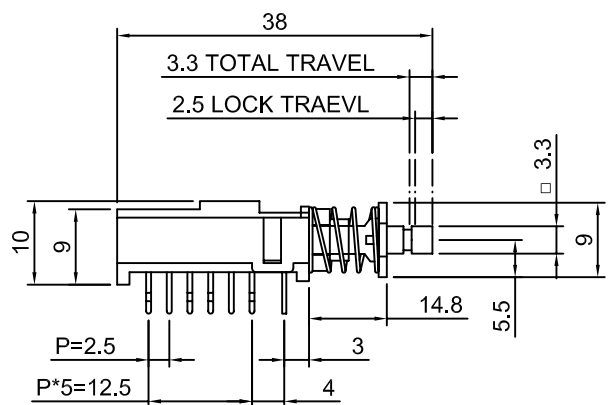
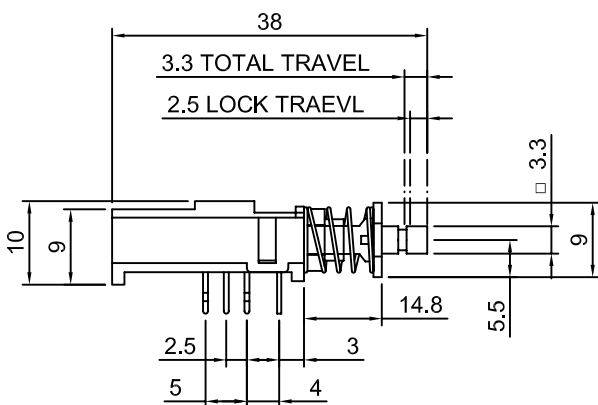
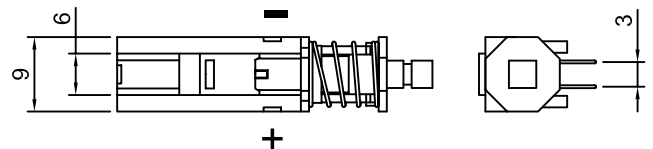


## DIMENSION

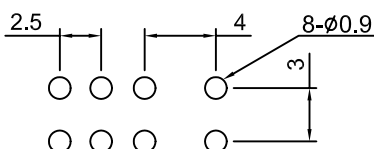
### POLE : 2



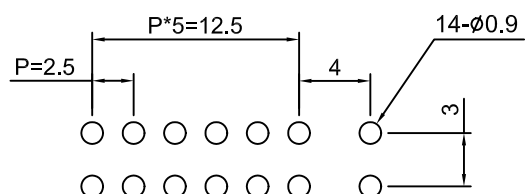
### POLE : 4



### P.C.B LAYOUT



### P.C.B LAYOUT



ML - 2N

